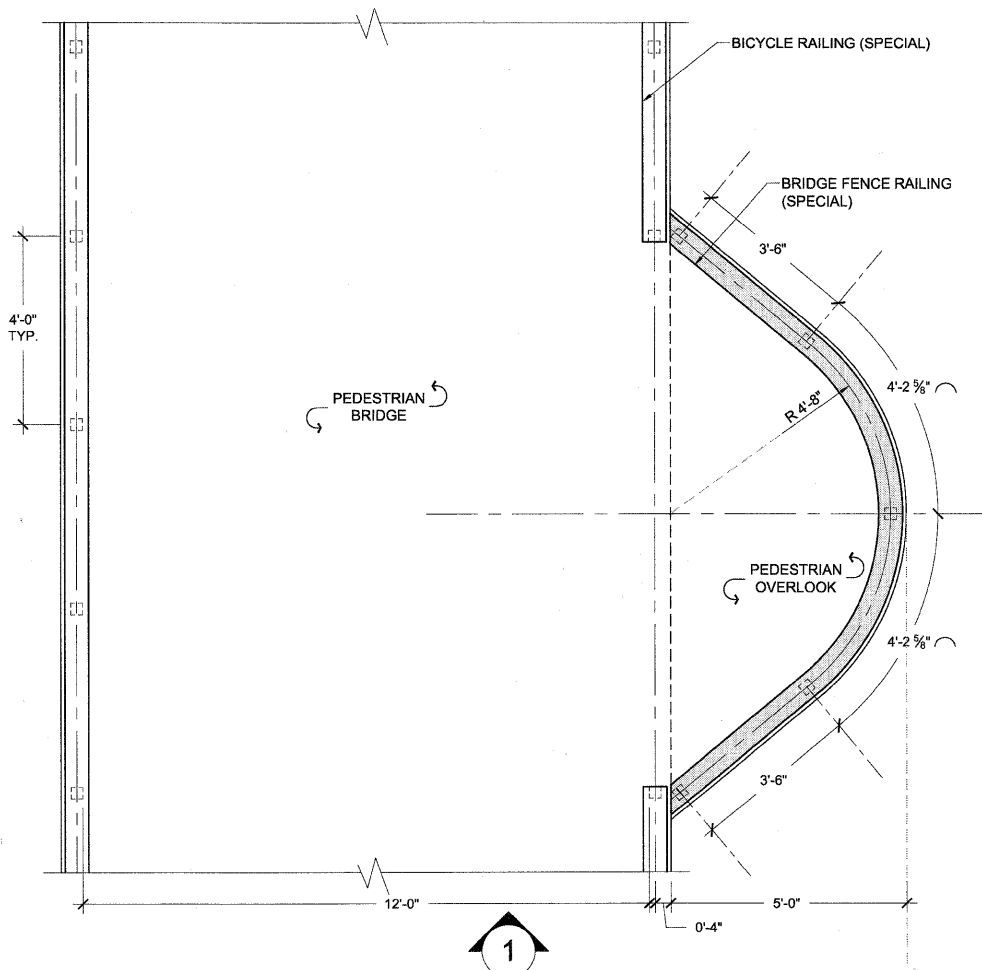
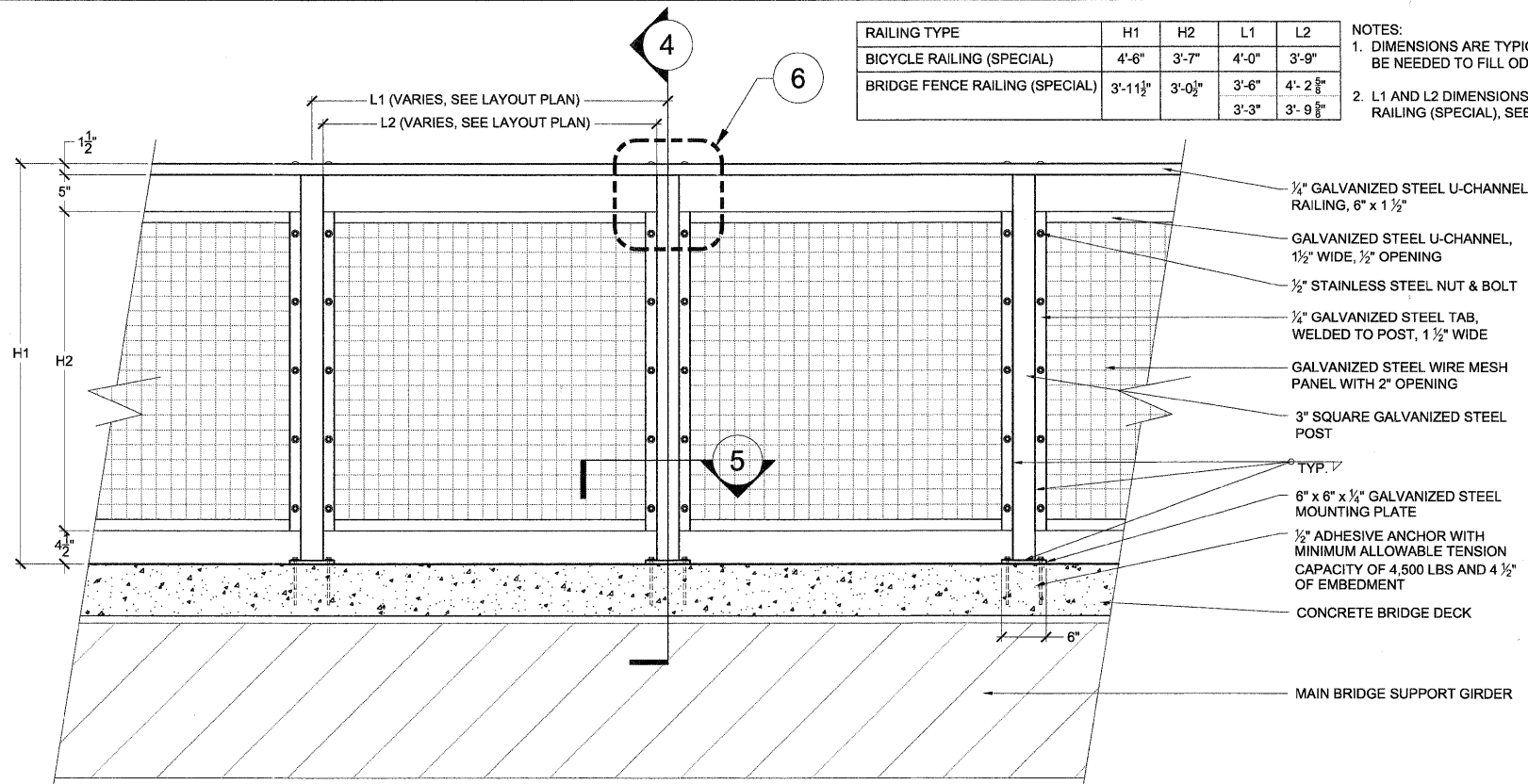


**1 PEDESTRIAN BRIDGE - SECTION / ELEVATION**  
SCALE: 1/2" = 1'-0"



**3 RAILING LAYOUT PLAN**  
SCALE: 1/2" = 1'-0"

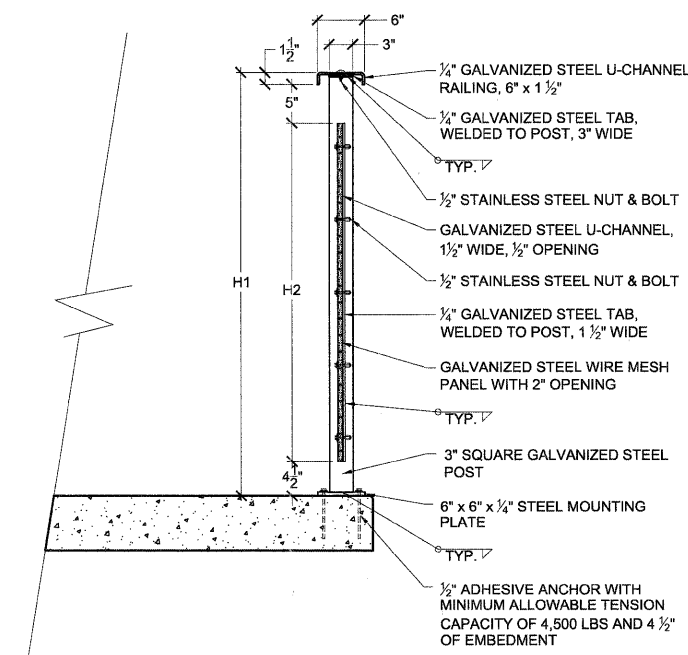


RAILING TYPE	H1	H2	L1	L2
BICYCLE RAILING (SPECIAL)	4'-6"	3'-7"	4'-0"	3'-9"
BRIDGE FENCE RAILING (SPECIAL)	3'-11 1/2"	3'-0 1/2"	3'-6"	4'-2 5/8"

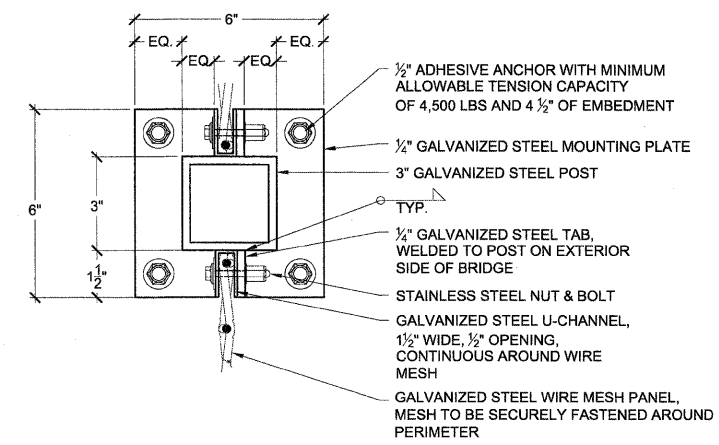
NOTES:  
1. DIMENSIONS ARE TYPICAL. ADJUSTMENT PANELS MAY BE NEEDED TO FILL ODD DIMENSIONS.  
2. L1 AND L2 DIMENSIONS VARY FOR BRIDGE FENCE RAILING (SPECIAL), SEE RAILING LAYOUT PLAN.

**2 RAILING - ELEVATION**  
SCALE: 1/2" = 1'-0"

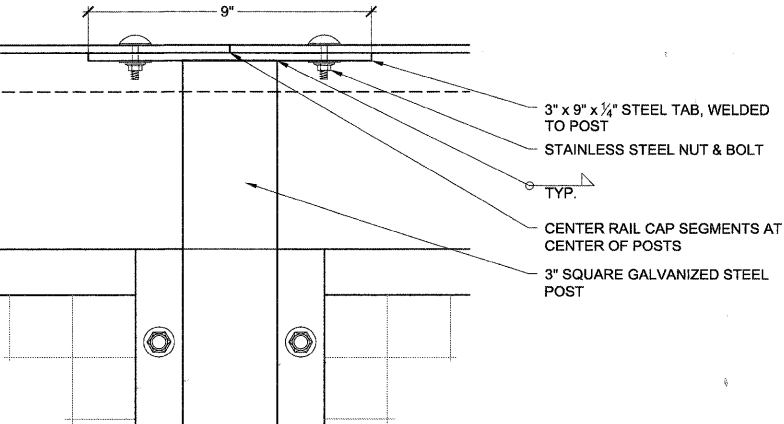
RAILING HEIGHT	H1	H2
BICYCLE RAILING (SPECIAL)	4'-6"	3'-7"
BRIDGE FENCE RAILING (SPECIAL)	3'-11 1/2"	3'-0 1/2"



**4 RAILING - SECTION**  
SCALE: 1" = 1'-0"



**5 RAILING SECTION - TOP**  
SCALE: NTS



**6 RAILING CAP ATTACHMENT**  
SCALE: NTS

FILE NAME =	DESIGNED - TL/WS	REVISED -
USER NAME =	DRAWN - TL/BD	REVISED -
PLOT DATE =	CHECKED - WS	REVISED -
	DATE - 10/24/2011	REVISED -

**TERRA**  
ENGINEERING LTD.  
225 W. OHIO ST., FOURTH FL.  
CHICAGO, IL 60654  
(312)467-0123

CITY OF ST. CHARLES

RED GATE ROAD  
BRIDGE ARCHITECTURE DETAILS

F.A. RTE.	SECTION	COUNTY	TOTAL SHEETS	SHEET NO.
	04-00092-00-BR	KANE	440	221
CONTRACT NO. 63650			ILLINOIS FED. AID PROJECT	

SCALE: VARIES STA. TO STA.