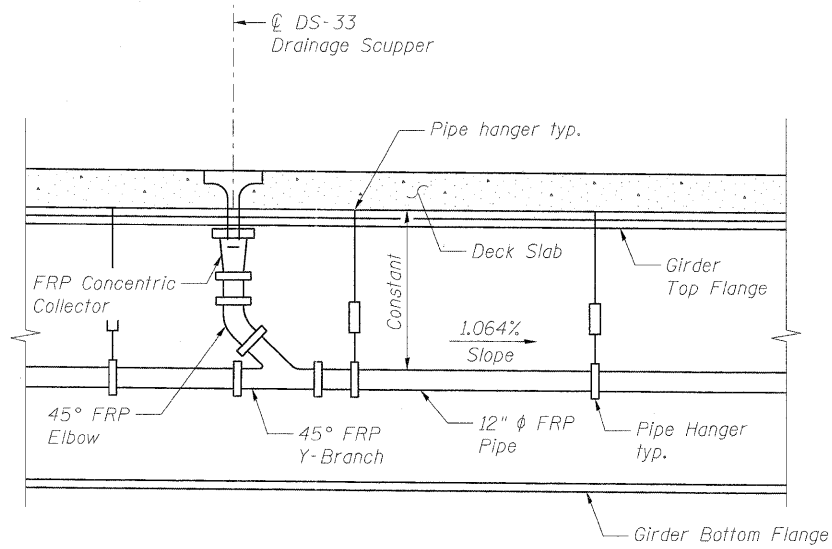
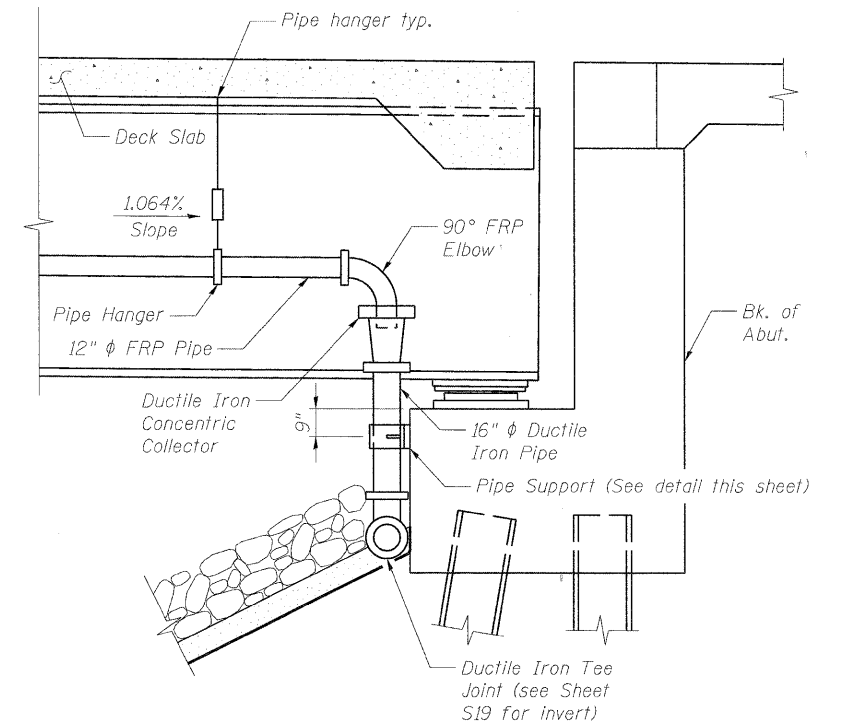


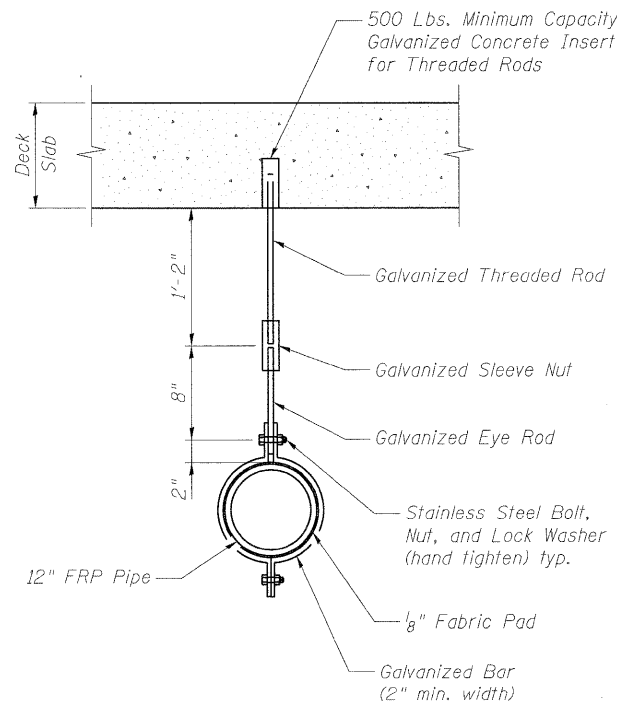
**WEST END START DETAIL**  
(Girder 1 shown, Girder 5 opposite hand)



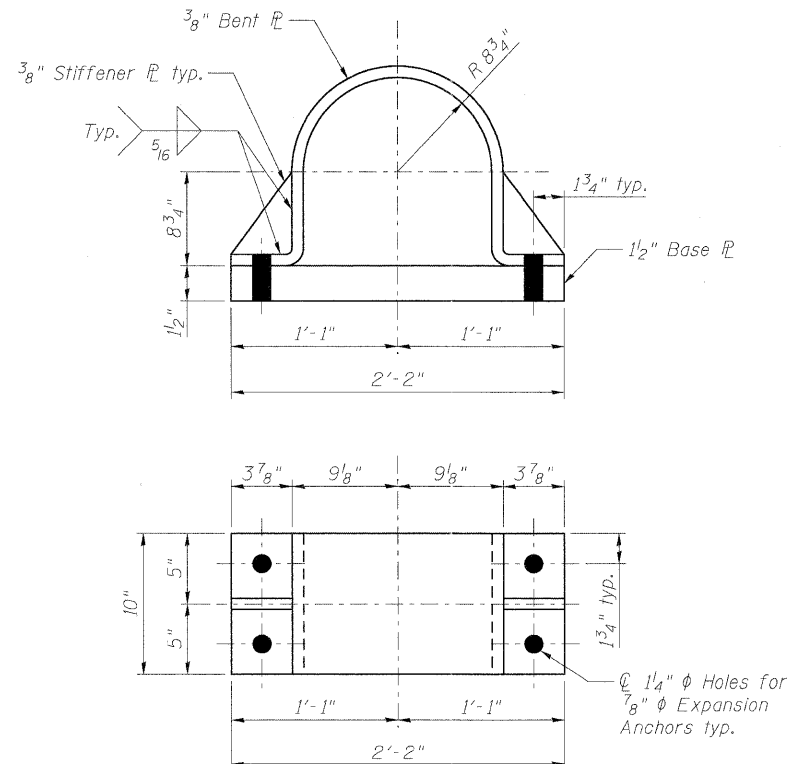
**INTERMEDIATE SCUPPER DETAILS**  
(Girder 1 shown, Girder 5 opposite hand)



**END DETAIL AT EAST ABUTMENT**  
(Girder 1 shown, Girder 5 opposite hand)



**PIPE HANGER DETAILS**



**PIPE SUPPORT DETAIL**

**NOTES:**

- Expansion Collars shall be provided at maximum spacing of 250'-0", each with a total movement capacity equal to 7". All expansion collars shall be watertight flexible joint couplings.
- See Sheet S19 for Drainage System Plan.

FILE NAME =	USER NAME =	DESIGNED -	REVISED -
0456024_020_Drainage2.dgn	akeeschall	JLS	-
	PLOT SCALE =	CHECKED -	REVISED -
		AJK	-
	PLOT DATE =	DRAWN -	REVISED -
	11/9/2011	RMG	-
		CHECKED -	REVISED -
		HMA	-



F.A.I. RTE.	SECTION	COUNTY	TOTAL SHEETS	SHEET NO.
	04-00092-00-BR	KANE	440	242
			CONTRACT NO. 63650	
ILLINOIS FED. AID PROJECT				