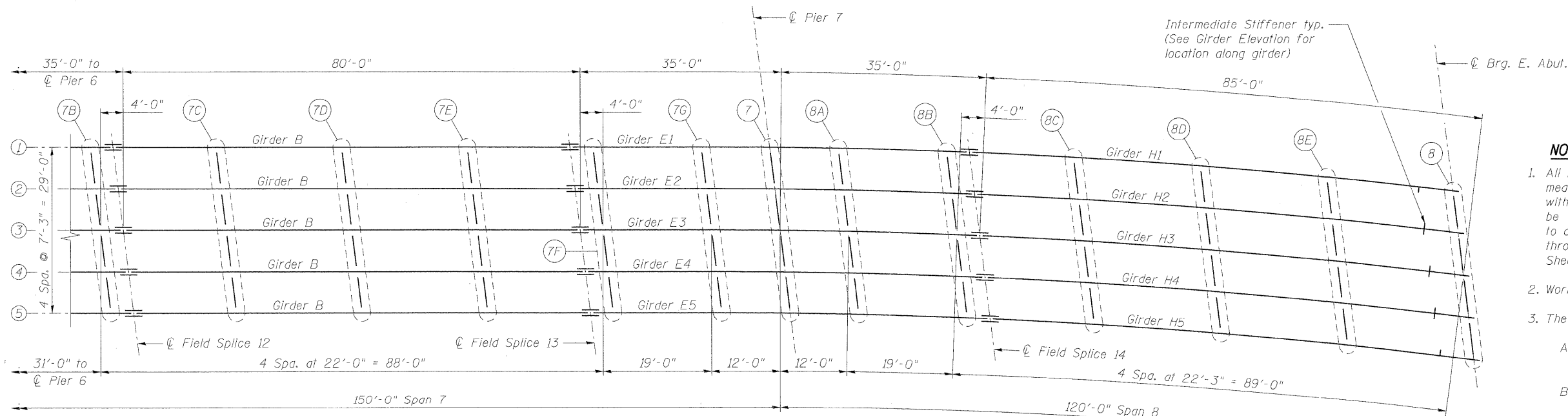


FRAMING PLAN - SPANS 5 & 6



FRAMING PLAN - SPANS 7 & 8

NOTES:

1. All longitudinal dimensions and spacings shown are measured along P.G.L./Red Gate Rd. (coincident with Centerline of Girder 3). Cross frames and splices shall be located radially in Spans 1 and 2, and parallel to adjacent substructure elements for Spans 3 through 8. See Steel Plate Girder Elevation on Sheets S24 thru S27 for detailed geometry.
2. Work this sheet with Sheets S22 and S24 thru S27.
3. The Contractor shall do either of the following:
 - A) Ream cross frame connection holes during shop assembly.
 - B) Provide detailing and fabrication controls acceptable to the Engineer which ensures accuracy such that field reaming will not exceed the amount permitted in Article 505.08(l) of the Standard Specifications.
4. See Sheet S28 for Curved Girder Layout.

benesch
engineers · scientists · planners
Alfred Benesch & Company
205 North Michigan Avenue, Suite 2400
Chicago, Illinois 60601
312-565-0450 Job No. 10092

| | | | |
|----------------------------|-----------------------|----------------|-----------|
| FILE NAME = | USER NAME = akaschall | DESIGNED - MFH | REVISED - |
| 0456024_023_Frameplan2.dgn | | CHECKED - AJK | REVISED - |
| | PLOT SCALE = | DRAWN - RMG | REVISED - |
| | PLOT DATE = 11/9/2011 | CHECKED - AJK | REVISED - |



CITY OF ST. CHARLES

FRAMING PLAN (2 OF 2)
STRUCTURE NO. 045-6024 RED GATE ROAD OVER THE FOX RIVER

SHEET NO. S23 OF S56 SHEETS

| | | | | |
|---------------------------|----------------|--------|--------------|-----------|
| F.A.I. RTE. | SECTION | COUNTY | TOTAL SHEETS | SHEET NO. |
| | 04-00092-00-BR | KANE | 440 | 245 |
| CONTRACT NO. 63650 | | | | |
| ILLINOIS FED. AID PROJECT | | | | |