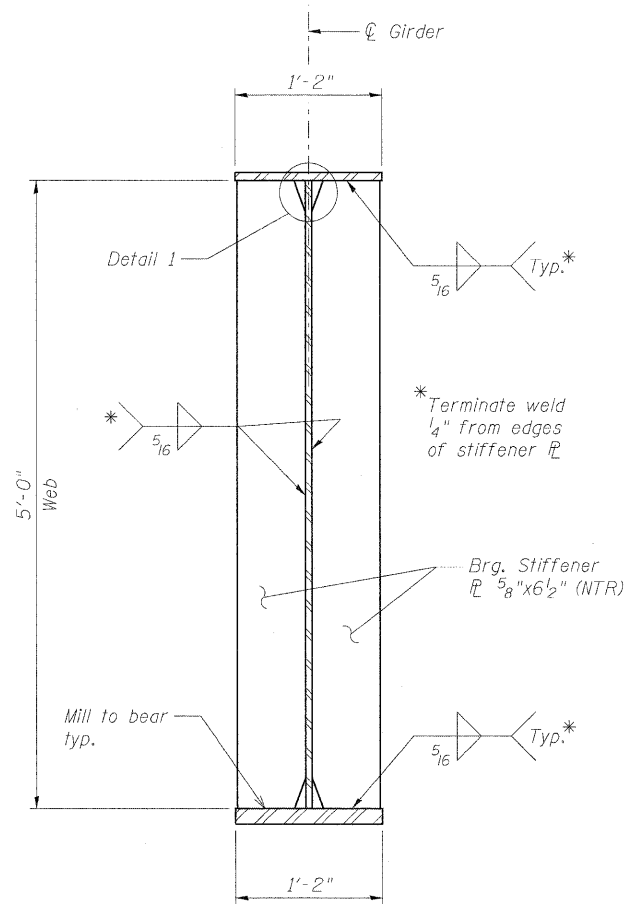
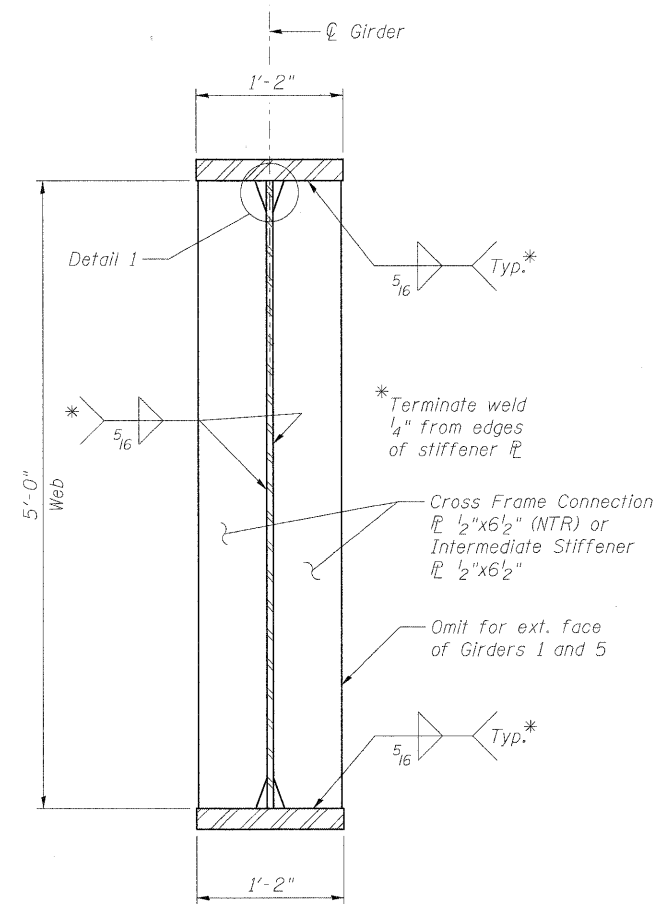


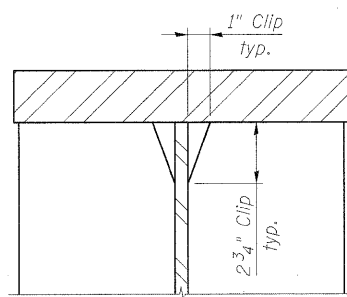
**BEARING STIFFENER AT PIERS**  
(No. plates required = 70)



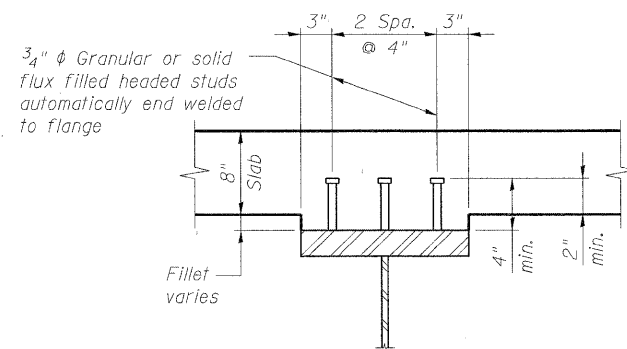
**BEARING STIFFENER AT ABUTMENTS**  
(No. plates required = 20)



**CONNECTION PLATE AND INTERMEDIATE STIFFENER DETAIL**  
(No. plates required = 432)



**DETAIL 1**  
(Typical top & bottom flanges)



**SECTION A-A**  
(No. studs required = 14,277)

**NOTES:**

1. For location of Stiffeners and Connection Plates, see Sheets S24 thru S27.
2. All Stiffener and Cross Frame Connection Plates shall be AASHTO M270 Grade 50 steel.
3. Stiffener and Cross Frame Connection Plates designated "NTR" shall conform to the Supplemental Requirements for Notch Toughness, Zone 2.
4. All Stiffener and Cross Frame Connection Plates shall be welded perpendicular to the web.

**benesch**  
engineers - scientists - planners  
Alfred Benesch & Company  
205 North Michigan Avenue, Suite 2400  
Chicago, Illinois 60601  
312-565-0450 Job No. 10092

FILE NAME =  
0456024\_030\_SteelDtl1.dgn

USER NAME = akeaschall  
DESIGNED - MFH  
CHECKED - AJK  
DRAWN - RMG  
PLOT SCALE =  
PLOT DATE = 11/9/2011

REVISOR -  
REVISOR -  
REVISOR -  
REVISOR -

DESIGNED - MFH  
CHECKED - AJK  
DRAWN - RMG  
PLOT DATE = 11/9/2011



**CITY OF ST. CHARLES**

**STEEL PLATE GIRDER DETAILS**  
**STRUCTURE NO. 045-6024 RED GATE ROAD OVER THE FOX RIVER**

SHEET NO. S30 OF S56 SHEETS

F.A.I. RTE.	SECTION	COUNTY	TOTAL SHEETS	SHEET NO.
	04-00092-00-BR	KANE	440	252
			CONTRACT NO. 63650	

ILLINOIS FED. AID PROJECT