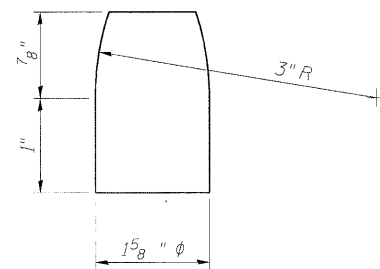
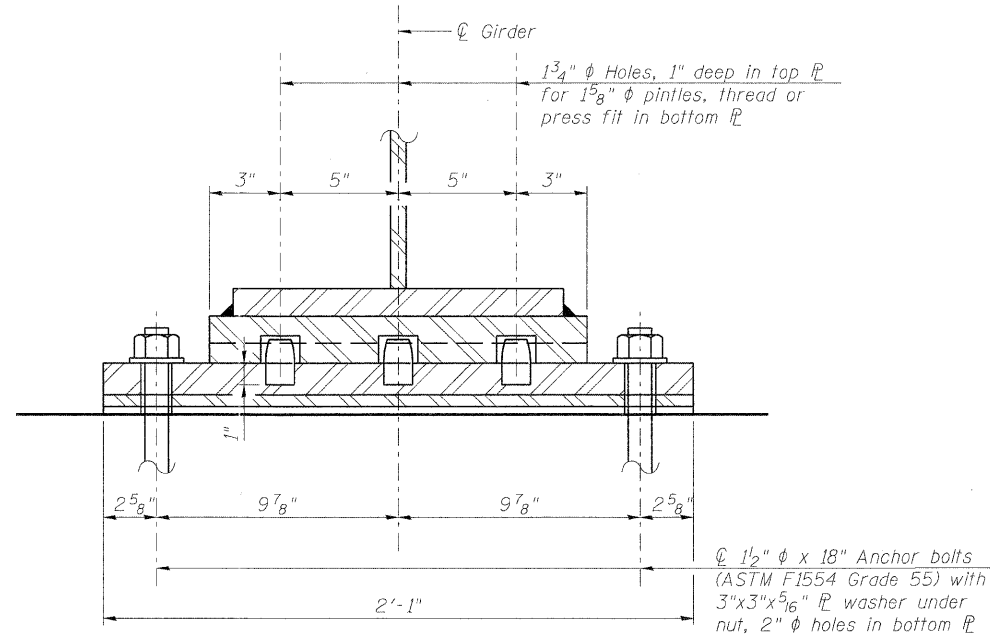


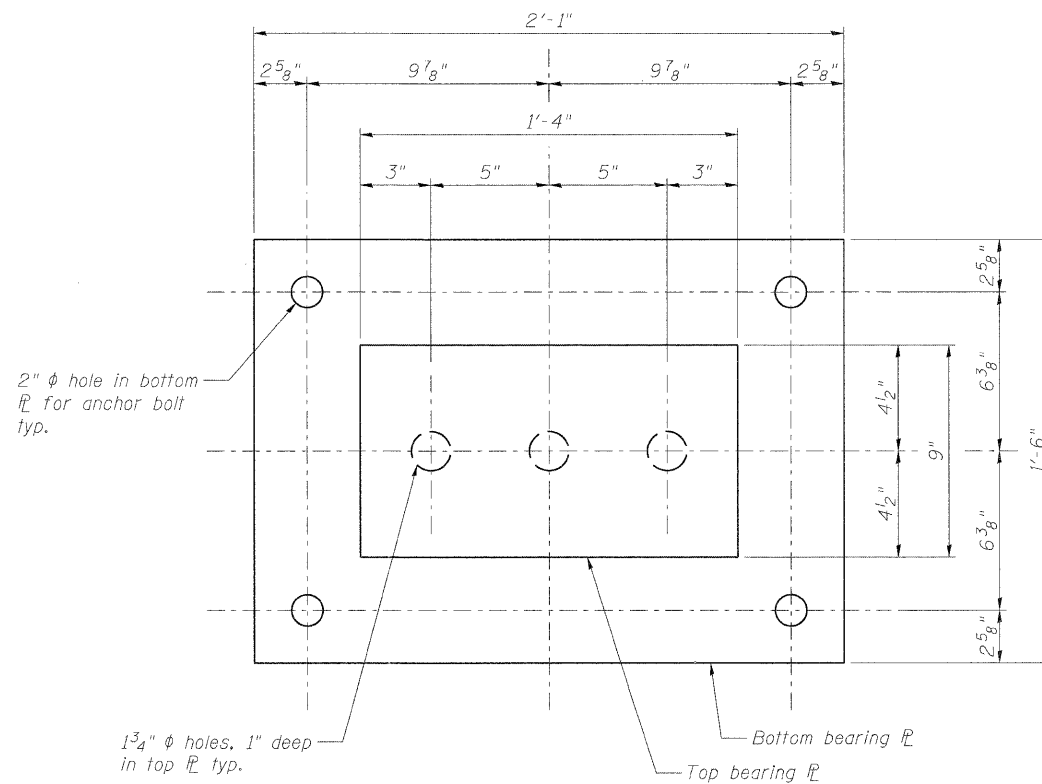
**ELEVATION**



**PINTLE**



**SECTION B-B**



**PLAN**

**BILL OF MATERIAL**

Item	Unit	Total
Anchor Bolts, $1\frac{1}{2}''$	Each	40

**NOTES:**

- All steel for bearings shall conform to the requirements of AASHTO M270 Grade 50, unless otherwise noted.
- Top plate shall be furnished with the girder and welded in the shop.
- Anchor bolts shall be ASTM F1554 all-thread (or an Engineer-approved alternate material) of the grade(s) and diameter(s) specified. The corresponding specified grade of AASHTO M314 anchor bolts may be used in lieu of ASTM F1554.
- Anchor bolts at fixed bearings may be either cast in place or installed in holes drilled after the supported member is in place.
- Drilled and set anchor bolts shall be installed according to Article 521.06 of the Standard Specifications.
- Two  $\frac{1}{8}$  in. adjusting shims shall be provided for each bearing in addition to all other plates or shims and placed as shown on bearing details.
- Fixed bearing assembly, excluding Anchor Bolts, shall be included in the cost of Furnishing and Erecting Structural Steel.

**benesch**  
 engineers · scientists · planners  
 Alfred Benesch & Company  
 205 North Michigan Avenue, Suite 2400  
 Chicago, Illinois 60601  
 312-565-0450 Job No. 10092

I-2E-1

7-1-10



**CITY OF ST. CHARLES**

**LOW PROFILE FIXED BEARING**  
**STRUCTURE NO. 045-6024 RED GATE ROAD OVER THE FOX RIVER**

SHEET NO. S35 OF S56 SHEETS

F.A.I. RTE.	SECTION	COUNTY	TOTAL SHEETS	SHEET NO.
	04-00092-00-BR	KANE	440	257
				CONTRACT NO. 63650
ILLINOIS FED. AID PROJECT				

FILE NAME =  
 0456024\_035\_FixedBr.dgn

USER NAME = akeeschall  
 PLOT SCALE =  
 PLOT DATE = 11/9/2011

DESIGNED - MFH  
 CHECKED - AJK  
 DRAWN - MFH  
 CHECKED - HMA

REVISED -  
 REVISED -  
 REVISED -  
 REVISED -