

ELEVATION TABLE

PIER	A	B1	B2	B3	B4	B5	C	E
6	688.00	714.89	715.03	715.16	715.01	714.85	713.54	707.37
7	690.25	713.29	713.42	713.55	713.40	713.24	711.94	705.77

PIER TABLE

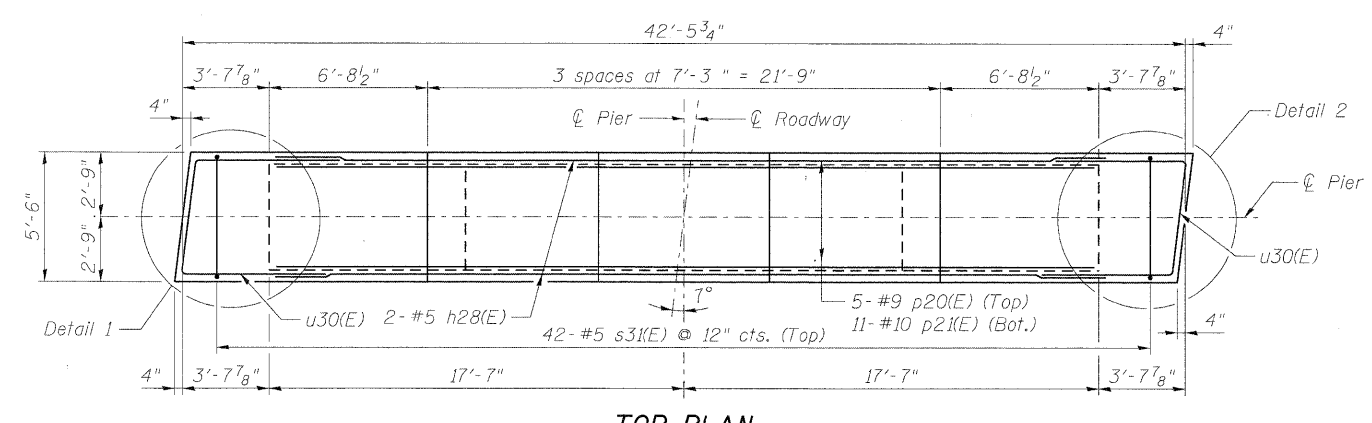
PIER	H	H1	H2
6	29'-10 1/4"	26'-10 1/4"	19'-4 1/2"
7	26'-0"	23'-0"	15'-6 1/4"

PILE DATA-Pier 6

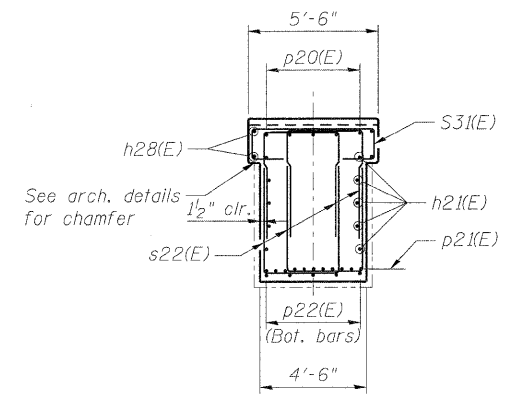
Type: HP12x53 with pile shoes
 Nominal Required Bearing: 382 kips
 Factored Resistance Available: 210 kips
 Est. Length: 54 feet
 No. Production Piles: 13
 No. Test Piles: 1

PILE DATA-Pier 7

Type: HP12x53 with pile shoes
 Nominal Required Bearing: 373 kips
 Factored Resistance Available: 205 kips
 Est. Length: 46 feet
 No. Production Piles: 13
 No. Test Piles: 1

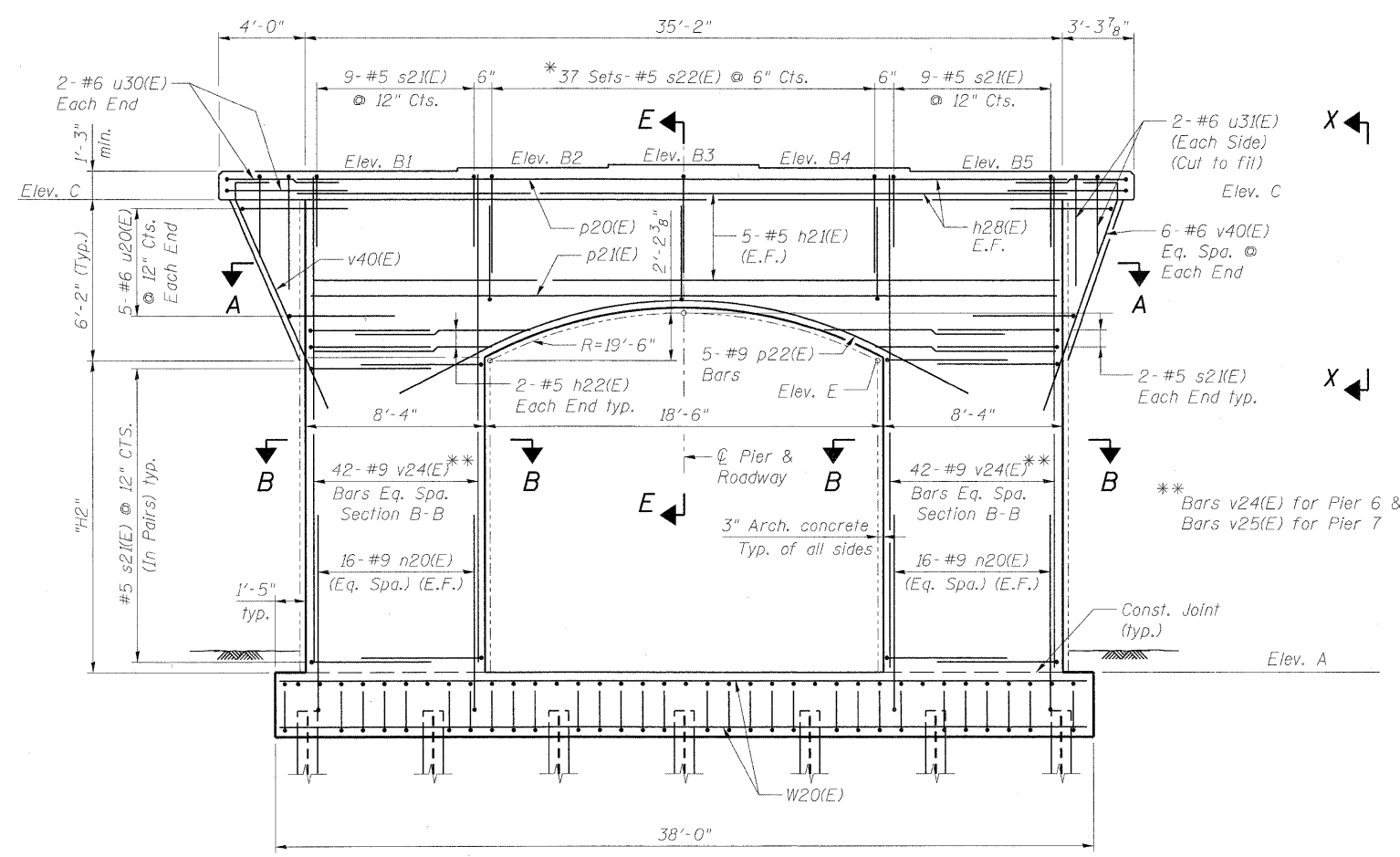


TOP PLAN

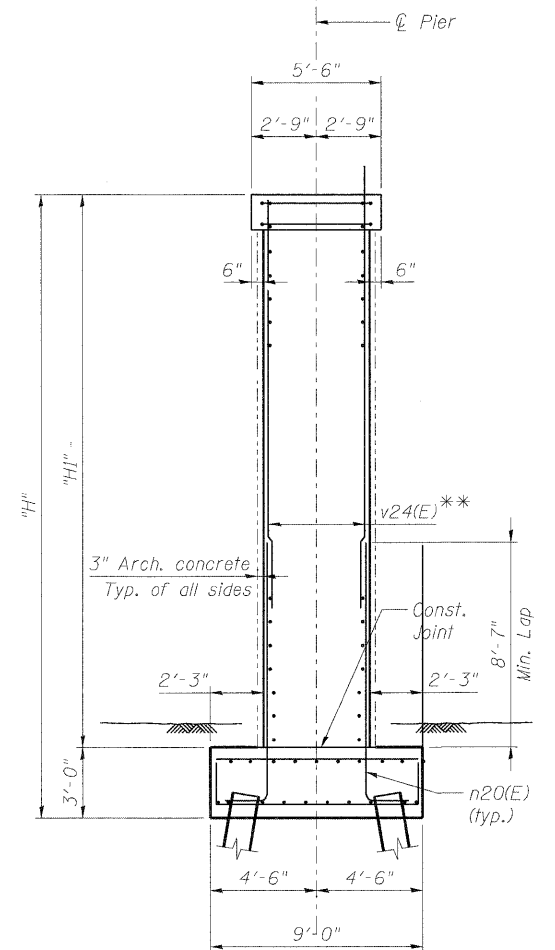


SECTION E-E
(At Pier)

* 1 Set contains 4-s22(E) bars.
 See Section E-E.



ELEVATION



END VIEW

NOTES:

1. Use the following minimum lap lengths except as noted:
 #5: 3'-3" #6: 3'-10" #9: 8'-7"
2. See sheet S44 for sections A-A and B-B and details 1 and 2.
3. Space reinforcement in cap to miss anchor bolts.
4. Pour steps monolithically with cap.
5. For footing plan, see sheet S45.
6. For details of piles, see sheet S48.
7. For Bill of Materials see sheet S47.
8. Bridge seat elevations based on bearing heights shown on Sheets S35-S36. Any deviation from these heights shall be accounted for by the Contractor. Additional costs incurred due to these changes shall be at the Contractor's expense.
9. For footing reinforcement, see section G-G on sheet S45.
10. See view X-X on sheet S44 for corbel geometry.
11. See sheet SM11 of Multi-use Trail Bridge for cable anchorage details.

benesch
 engineers - scientists - planners
 Alfred Benesch & Company
 205 North Michigan Avenue, Suite 2400
 Chicago, Illinois 60601
 312-565-0450 Job No. 10092

FILE NAME =	USER NAME = akesschal1	DESIGNED - MJF	REVISED -
8456024_043_PierDtls3.dgn		CHECKED - AMB	REVISED -
	PLOT SCALE =	DRAWN - RMG	REVISED -
	PLOT DATE = 11/9/2011	CHECKED - AJK	REVISED -



CITY OF ST. CHARLES

PIERS 6 & 7 DETAILS
STRUCTURE NO. 045-6024 RED GATE ROAD OVER THE FOX RIVER
 SHEET NO. S43 OF S56 SHEETS

F.A.I. RTE.	SECTION	COUNTY	TOTAL SHEETS	SHEET NO.
	04-00092-00-BR	KANE	440	265
				CONTRACT NO. 63650
ILLINOIS FED. AID PROJECT				

x:\1000005\10092\engineering\documents_redgatephase11\gr-over-fox-river-final\plans\0456024_043_PierDtls3.dgn 5:04:37 PM 11/9/2011