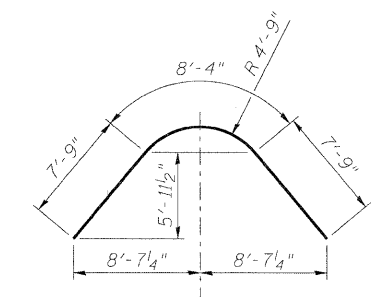
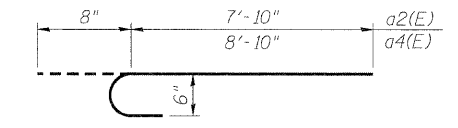
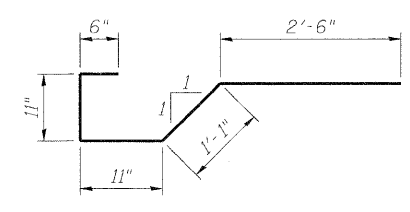
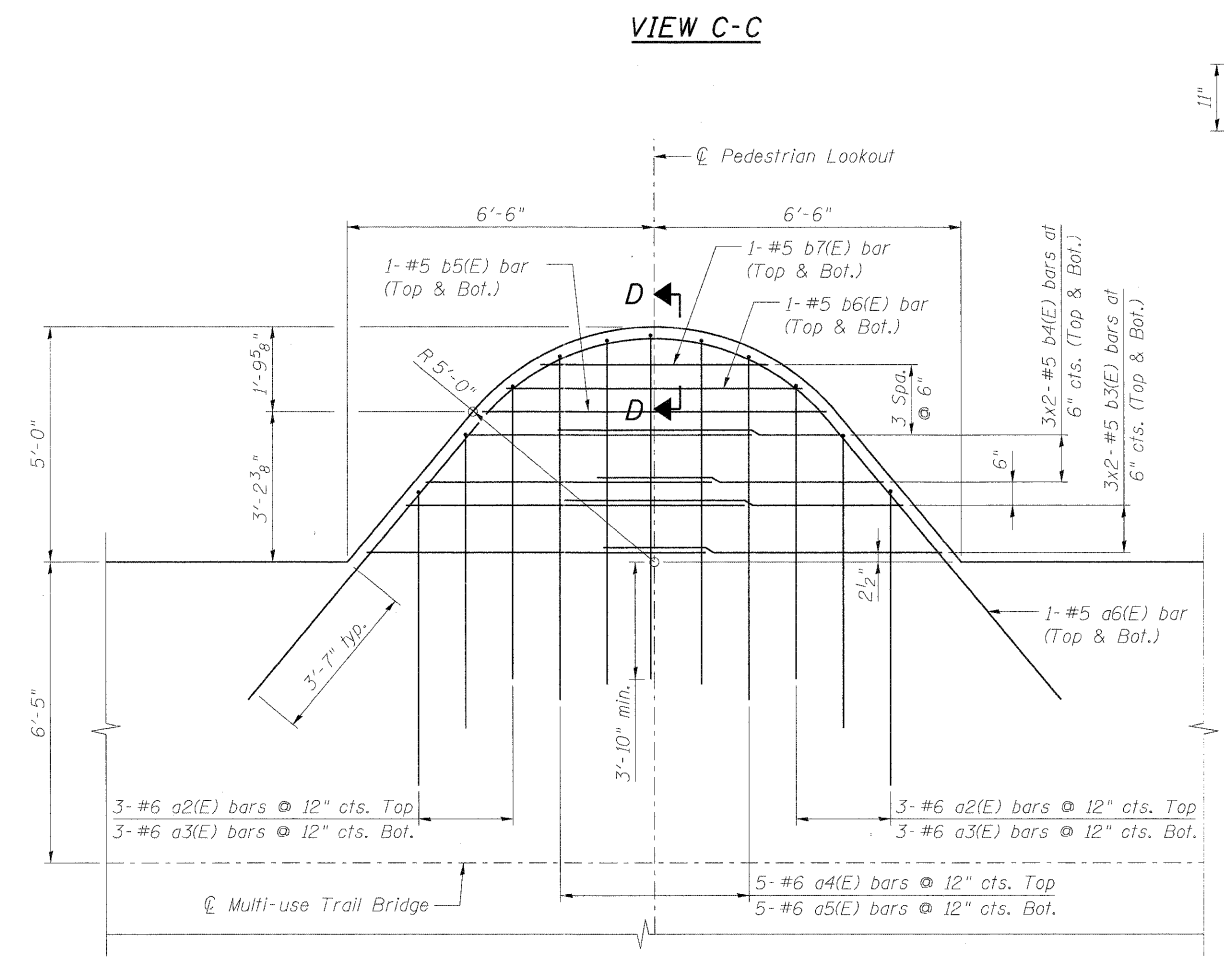
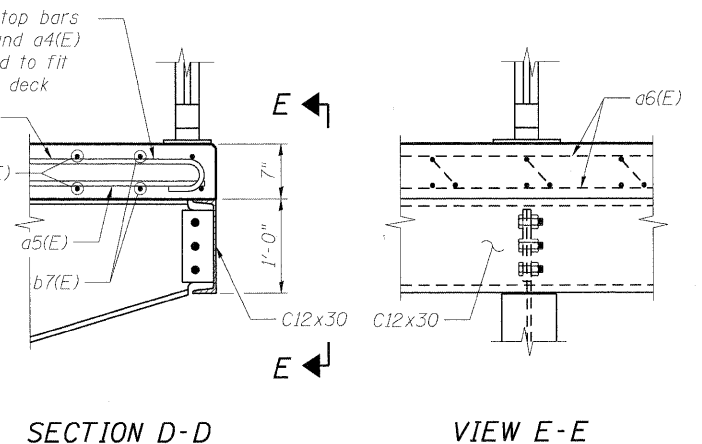
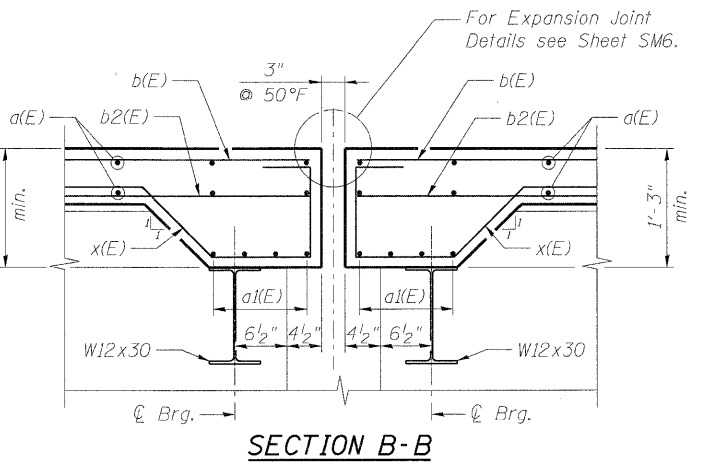
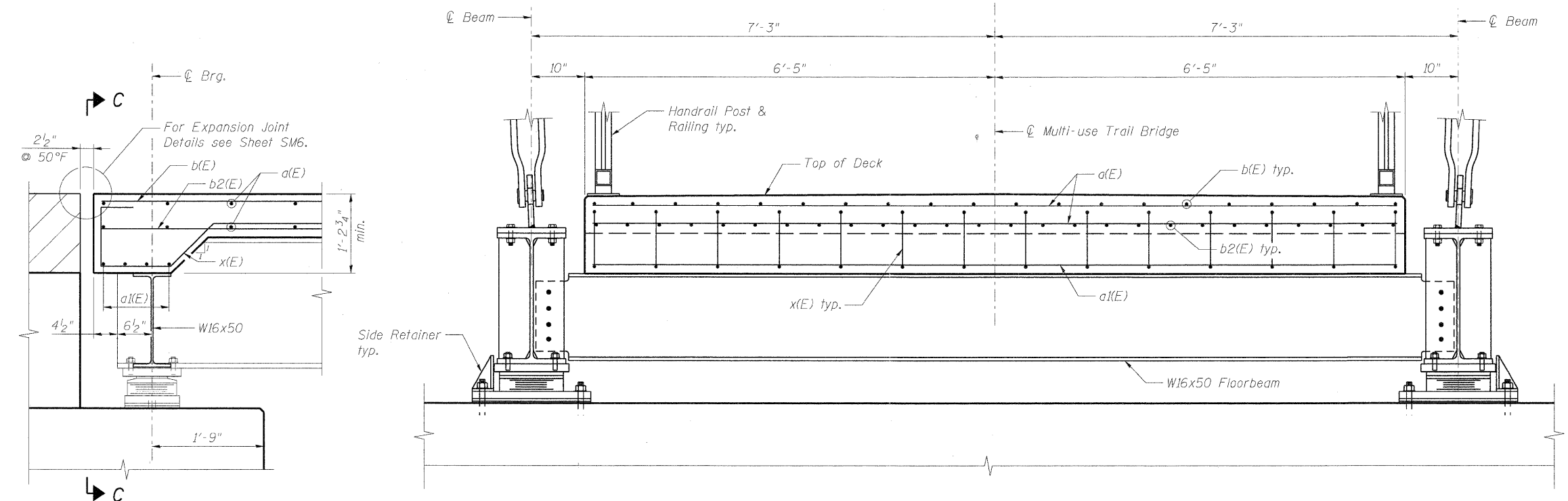


BILL OF MATERIAL

Bar	No.	Size	Length	Shape
a(E)	1472	#5	12'-6"	—
a1(E)	16	#6	12'-6"	—
a2(E)	36	#6	8'-6"	—
a3(E)	36	#6	7'-10"	—
a4(E)	30	#6	9'-6"	—
a5(E)	30	#6	8'-10"	—
a6(E)	12	#5	23'-10"	—
b(E)	480	#5	33'-11"	—
b1(E)	228	#6	26'-3"	—
b2(E)	520	#5	39'-9"	—
b3(E)	72	#5	7'-11"	—
b4(E)	72	#5	6'-11"	—
b5(E)	72	#5	5'-6"	—
b6(E)	12	#5	4'-10"	—
b7(E)	12	#5	4'-0"	—
x(E)	56	#5	5'-11"	—
Reinforcement Bars, Epoxy Coated			Pound	70,970
Concrete Superstructure			Cu. Yd.	189.9



MINIMUM BAR LAP
 (Slab)
 #5 bar = 3'-3"
 #6 bar = 3'-10"

NOTE:
 Bars indicated thus 2x3-#5 etc., indicates 2 lines of bars with 3 lengths per line.

benesch
 Alfred Benesch & Company
 205 North Michigan Avenue, Suite 2400
 Chicago, Illinois 60601
 312-565-0450 Job No. 10092

FILE NAME = 0456020_05_DeckDtls.dgn	USER NAME = akoeschal1	DESIGNED - JLS	REVISED -
		CHECKED - LRB	REVISED -
	PLOT SCALE =	DRAWN - RMG	REVISED -
	PLOT DATE = 11/10/2011	CHECKED - AJK	REVISED -

CITY OF ST. CHARLES

WALKWAY DECK DETAILS AND BILL OF MATERIAL
STRUCTURE NO. 045-6020 MULTI-USE TRAIL BRIDGE OVER FOX RIVER
 SHEET NO. SM5 OF SM19 SHEETS

F.A.I. RTE.	SECTION	COUNTY	TOTAL SHEETS	SHEET NO.
	04-00092-00-BR	KANE	440	283
			CONTRACT NO. 63650	
ILLINOIS FED. AID PROJECT				

x:\10000s\10092\engineering_documents_redgatephase1\pedbridgeoverfoxriver\final\plans\0456020_05_DeckDtls.dgn
 4:12:16 PM
 11/10/2011