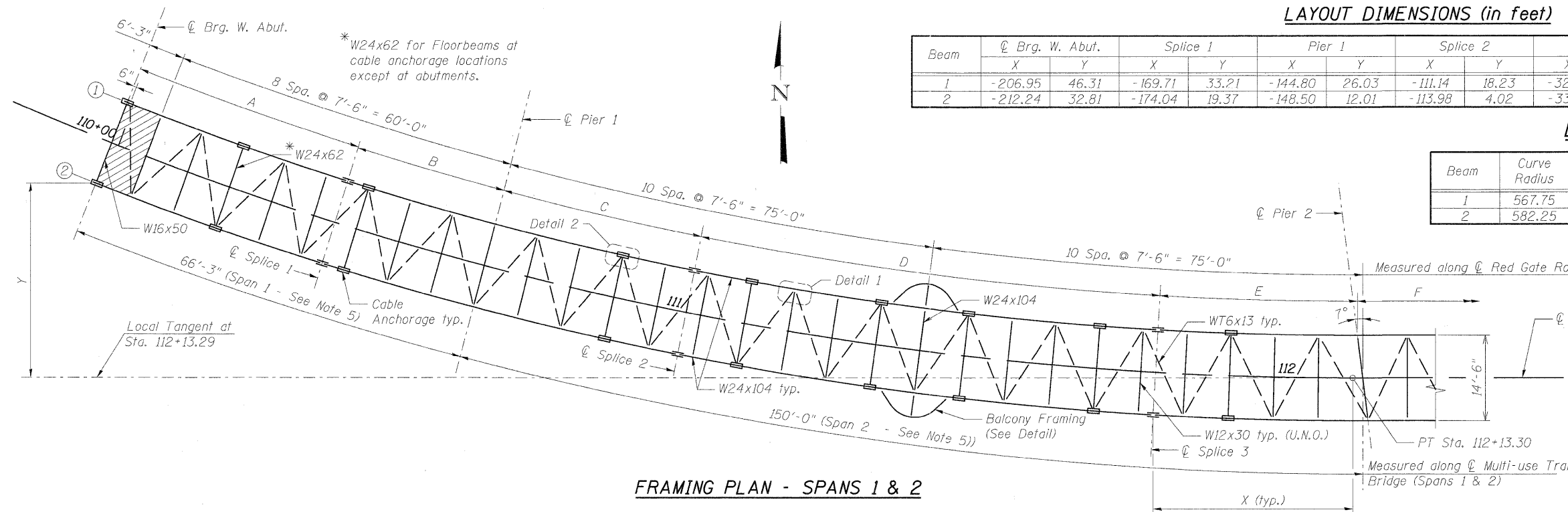


LAYOUT DIMENSIONS (in feet)

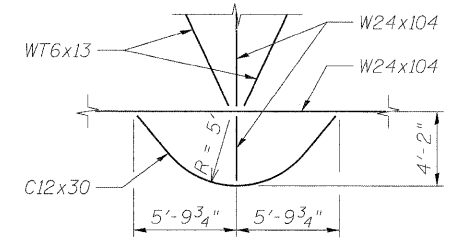
Beam	Brg. W. Abut.		Splice 1		Pier 1		Splice 2		Splice 3		Pier 2		Splice 4	
	X	Y	X	Y	X	Y	X	Y	X	Y	X	Y	X	Y
1	-206.95	46.31	-169.71	33.21	-144.80	26.03	-111.14	18.23	-32.85	8.20	0.82	7.25	36.71	7.25
2	-212.24	32.81	-174.04	19.37	-148.50	12.01	-113.98	4.02	-33.69	-6.27	2.60	-7.25	36.71	-7.25

BEAM DIMENSIONS (in feet)

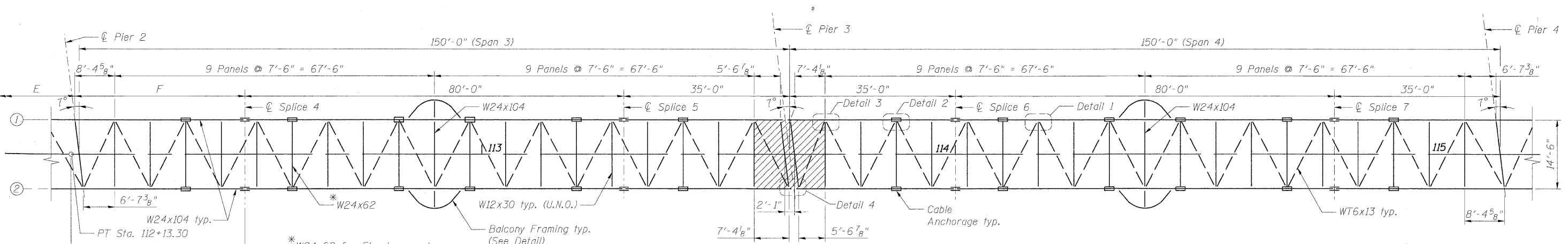
Beam	Curve Radius	A	B	C	D	E	F
1	567.75	39.50	25.92	34.56	78.99	33.69	35.89
2	582.25	40.50	26.58	35.44	81.01	36.31	34.11



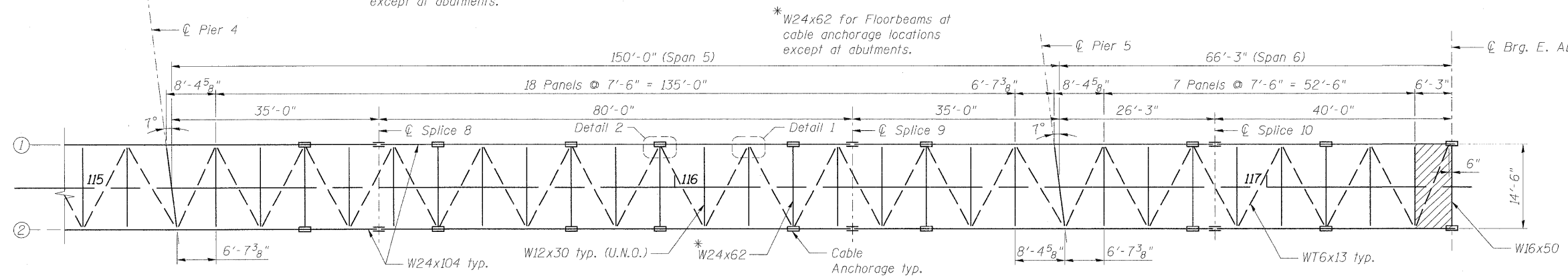
FRAMING PLAN - SPANS 1 & 2



BALCONY FRAMING DETAIL



FRAMING PLAN - SPANS 3 & 4



FRAMING PLAN - SPANS 5 & 6

NOTES:

- All lateral bracing between beams shall be installed with erection pins and bolts in accordance with the erection plan approved by the Engineer. Individual bracing members at supports may be temporarily disconnected to install bearing anchor rods.
- See sheet SM8 for Details 1 and 2.
- See sheet SM9 for Details 3 and 4.
- Work this sheet with sheets SM8 and SM9.
- Contractor may use equivalent welded plate girders in lieu of the specified W24x104 in order to facilitate fabrication of the curved and cambered steel segments in Spans 1 and 2.
- All steel shall conform to the Supplemental Requirements for Notch Toughness, Zone 2.

Indicates Conventional Formwork in lieu of metal decking to accommodate expansion joint.

benesch
engineers • scientists • planners
Alfred Benesch & Company
205 North Michigan Avenue, Suite 2400
Chicago, Illinois 60601
312-565-0450 Job No. 10092

FILE NAME =	USER NAME = okeaschal	DESIGNED - JLS	REVISIONS -
0456020.07-F-ameplan1.dgn		CHECKED - LRB	REVISIONS -
		DRAWN - RMG	REVISIONS -
		CHECKED - AJK	REVISIONS -



CITY OF ST. CHARLES

FRAMING PLAN
STRUCTURE NO. 045-6020 MULTI-USE TRAIL BRIDGE OVER FOX RIVER

SHEET NO. SM7 OF SM19 SHEETS

F.A.I. RTE.	SECTION	COUNTY	TOTAL SHEETS	SHEET NO.
	04-00092-00-BR	KANE	440	285
				CONTRACT NO. 63650
ILLINOIS FED. AID PROJECT				