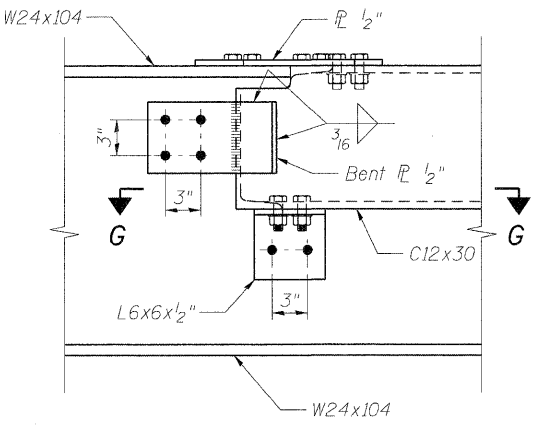
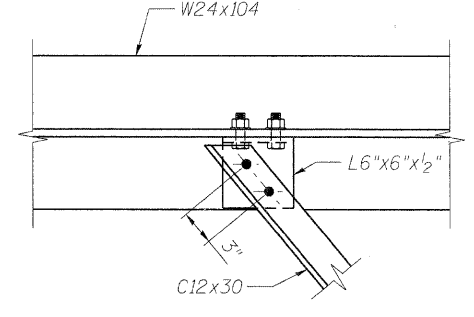


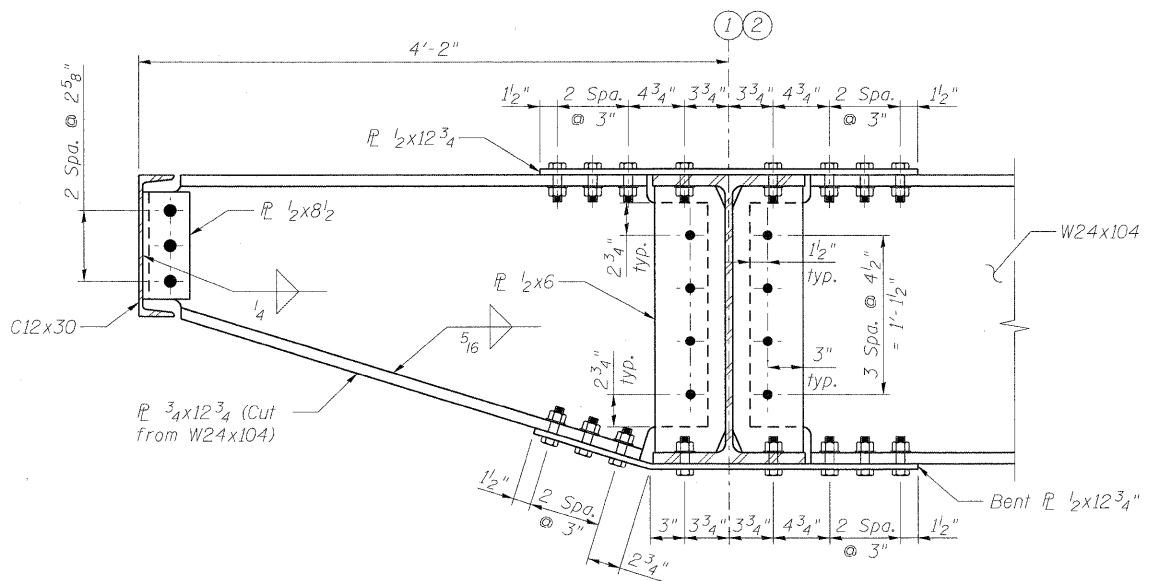
PLAN AT PEDESTRIAN LOOKOUT
(Typical at all locations - Lateral bracing not shown for clarity)



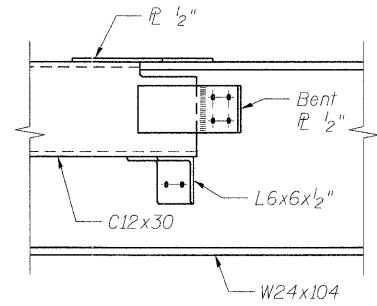
SECTION F-F



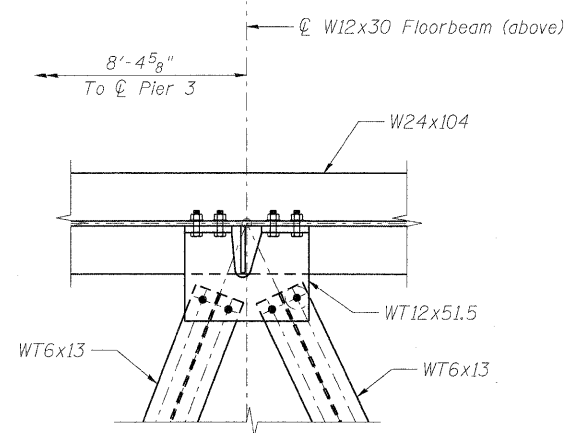
SECTION G-G



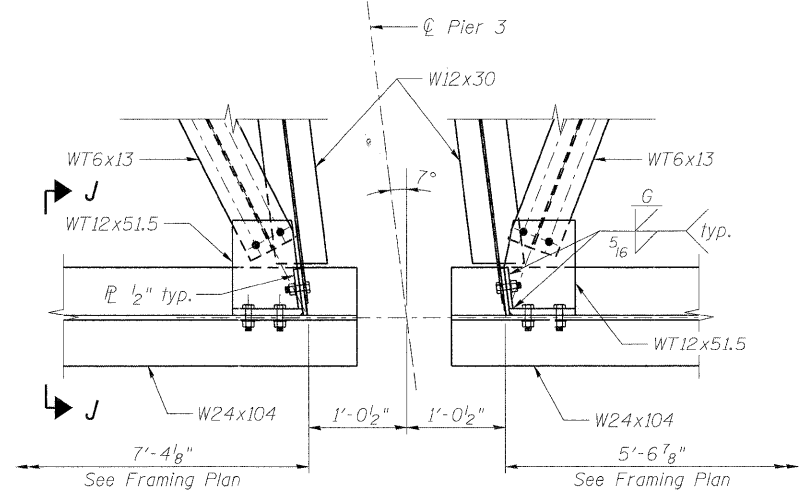
SECTION E-E



VIEW H-H

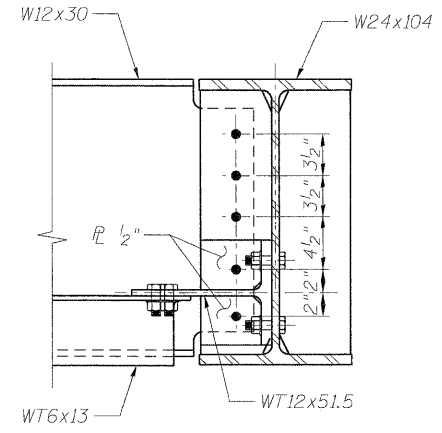


DETAIL 3



DETAIL 4

(Skewed, single connection plate detail at Piers 2, 4 & 5 similar)



SECTION J-J

NOTE:
Work this sheet with sheets SM7 and SM8.

benesch
engineers - scientists - planners
Alfred Benesch & Company
205 North Michigan Avenue, Suite 2400
Chicago, Illinois 60601
312-565-0450 Job No. 10092

FILE NAME =	USER NAME =	DESIGNED -	REVISED -
0456020_09_SteelDtls_2.dgn	akeeschall	JLS	-
		CHECKED -	REVISED -
		LRB	-
		DRAWN -	REVISED -
		RMG	-
		CHECKED -	REVISED -
		AJK	-



CITY OF ST. CHARLES

STEEL BEAM DETAILS (2 OF 2)
STRUCTURE NO. 045-6020 MULTI-USE TRAIL BRIDGE OVER FOX RIVER
SHEET NO. SM9 OF SM19 SHEETS

F.A.I. RTE.	SECTION	COUNTY	TOTAL SHEETS	SHEET NO.
	04-00092-00-BR	KANE	440	287
			CONTRACT NO. 63650	
ILLINOIS FED. AID PROJECT				

11/10/2011 4:12:34 PM
 x:\10000s\10092\engineering\documents_redgatephase1\pedbridgeoverfoxriver\final\plans\0456020_09_SteelDtls_2.dgn