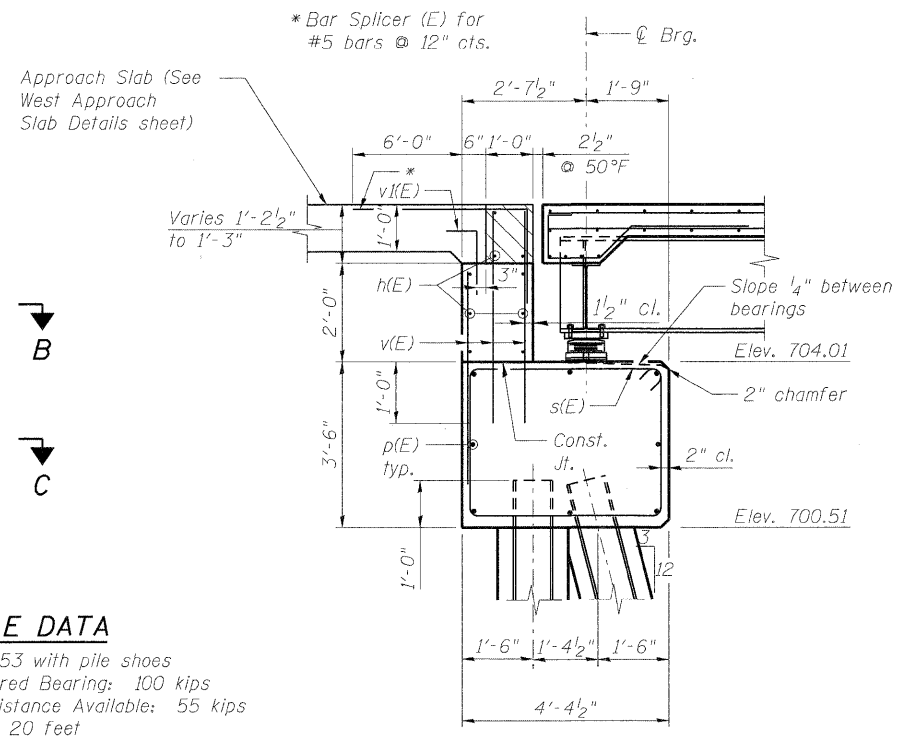


ELEVATION



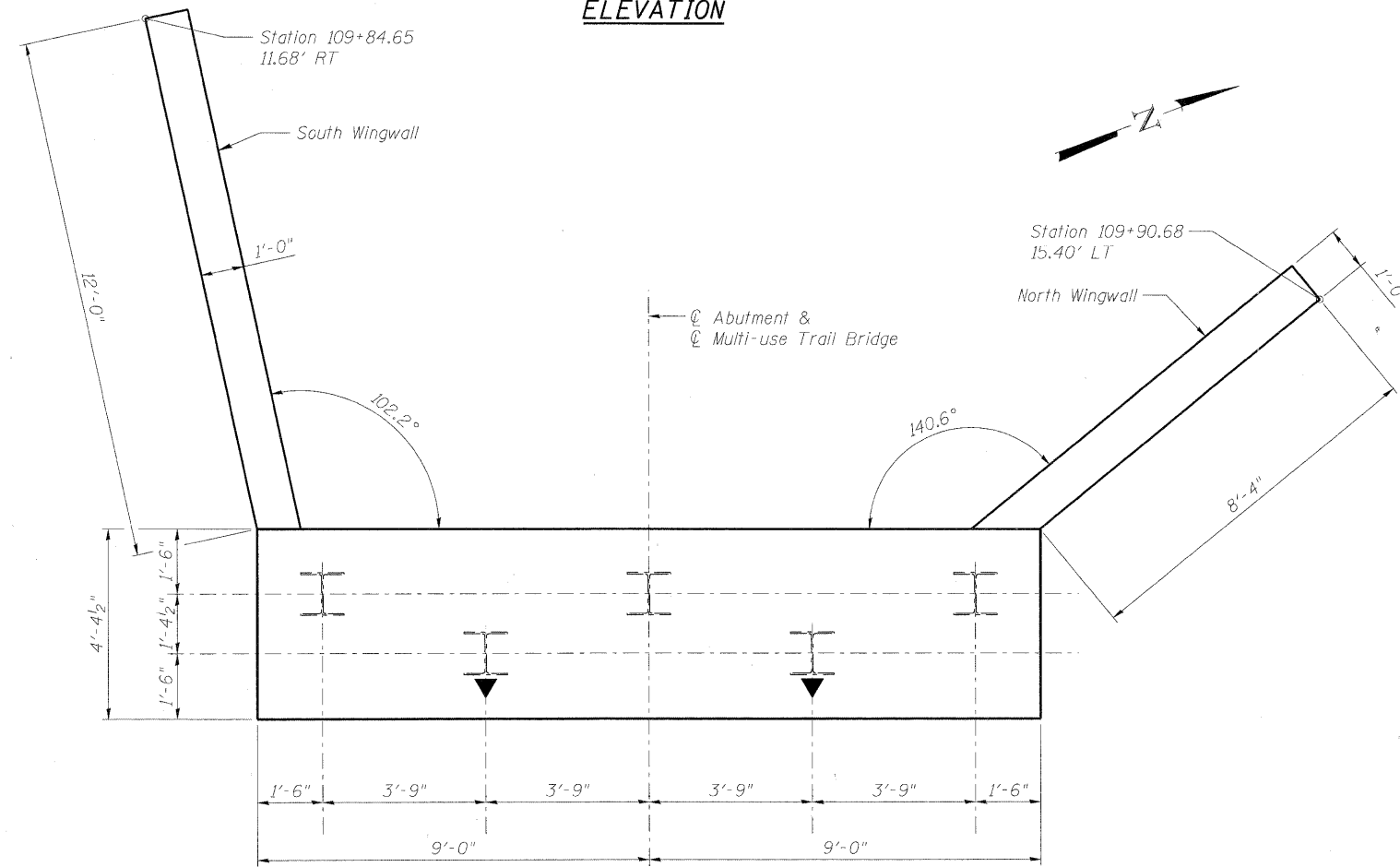
SECTION A-A

PILE DATA

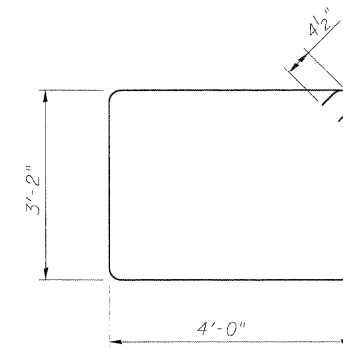
Type: HP12x53 with pile shoes
 Nominal Required Bearing: 100 kips
 Factored Resistance Available: 55 kips
 Est. Length: 20 feet
 No. Production Piles: 4
 No. Test Piles: 1

BILL OF MATERIAL

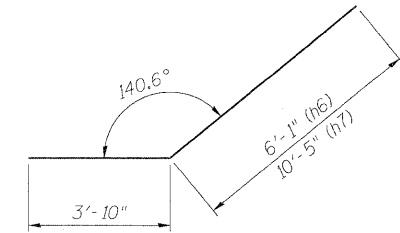
Bar	No.	Size	Length	Shape
h(E)	9	#6	17'-8"	
h1(E)	16	#6	11'-9"	
h2(E)	16	#6	9'-5"	
h3(E)	6	#6	17'-0"	
h4(E)	4	#6	14'-4"	
h5(E)	16	#6	8'-0"	
h6(E)	16	#6	9'-11"	
h7(E)	10	#6	14'-3"	
p(E)	8	#7	17'-8"	
s(E)	20	#4	15'-1"	
v(E)	57	#5	4'-3"	
v1(E)	19	#5	3'-8"	
v2(E)	39	#5	5'-4"	
v3(E)	6	#5	4'-4"	
v4(E)	44	#5	6'-6"	
Structure Excavation		Cu. Yd.	30.7	
Concrete Superstructure		Cu. Yd.	0.9	
Concrete Structures		Cu. Yd.	16.5	
Reinforcement Bars, Epoxy Coated		Pound	2,990	
Furnishing Steel Piles, HP12x53		Foot	80	
Driving Piles		Foot	80	
Test Pile Steel, HP12x53		Each	1	
Pile Shoes		Each	5	
Bar Splicers		Each	19	
Anti-Graffiti Coating		Sq. Ft.	212	
Concrete Sealer		Sq. Ft.	151	
Concrete Encasement		Cu. Yd.	1.8	



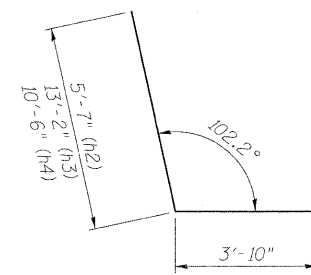
PILE LAYOUT



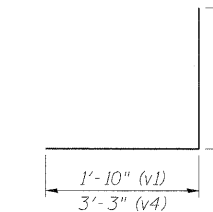
BAR s(E)



BARS h6(E) & h7(E)

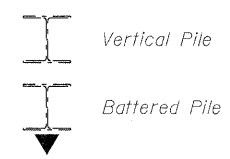


BARS h2(E), h3(E) & h4(E)



BARS v1(E) & v4(E)

LEGEND



NOTES:

1. E.F. denotes Each Face.
2. See sheet SM17 for wingwall elevations, Section B-B and Section C-C.
3. For bar splicer details, see sheet S49 of Structure No. 045-6024.

benesch
 engineers • scientists • planners
 Alfred Benesch & Company
 205 North Michigan Avenue, Suite 2400
 Chicago, Illinois 60601
 312-565-0450 Job No. 10092

FILE NAME =	USER NAME = akesshell	DESIGNED - MAM	REVISED -
2456020.16.WAbutDtls-1.dgn		CHECKED - AJK	REVISED -
	PLOT SCALE =	DRAWN - RMG	REVISED -
	PLOT DATE = 11/10/2011	CHECKED - AJK	REVISED -



CITY OF ST. CHARLES

WEST ABUTMENT DETAILS (1 OF 2)
STRUCTURE NO. 045-6020 MULTI-USE TRAIL BRIDGE OVER FOX RIVER
 SHEET NO. SM16 OF SM19 SHEETS

F.A.I. RTE.	SECTION	COUNTY	TOTAL SHEETS	SHEET NO.
	04-00092-00-BR	KANE	440	294
CONTRACT NO. 63650				
ILLINOIS FED. AID PROJECT				

x:\10000s\10092\engineering\documents_redgatephase1\pedbr\dgeoverfoxriver\final\plans\0456020.16.WAbutDtls-1.dgn 4:13:15 PM 11/10/2011