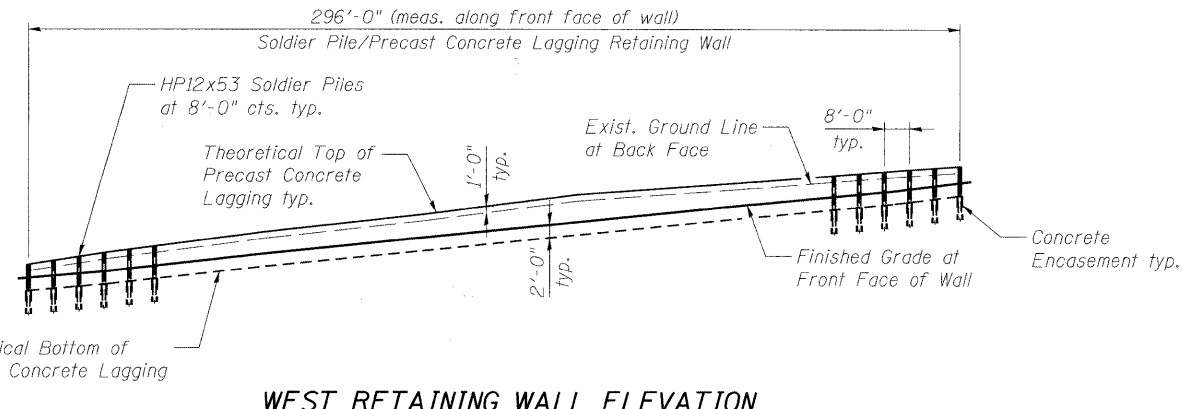


Benchmark: Steel Rod at GPS Monument KAN31 2B (Elev. 754.27)

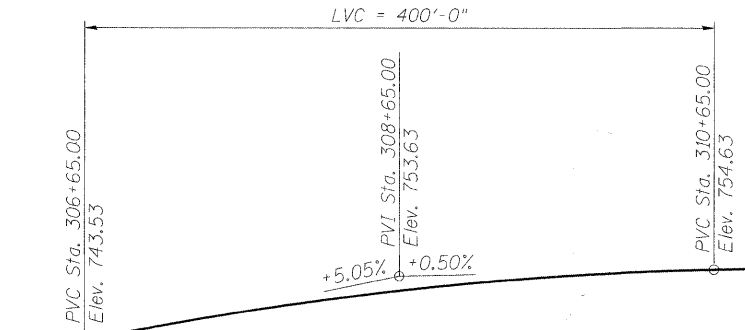
Existing Structure: None

No Salvage



WEST RETAINING WALL ELEVATION

(Vertical Scale 2:1)



IL 25 PROFILE GRADE

(4:1 Vertical Scale, Along CL)

DESIGN SPECIFICATIONS

2002 AASHTO Standard Specifications for Highway Bridges

CONSTRUCTION SPECIFICATIONS

Standard Specifications for the State of Illinois

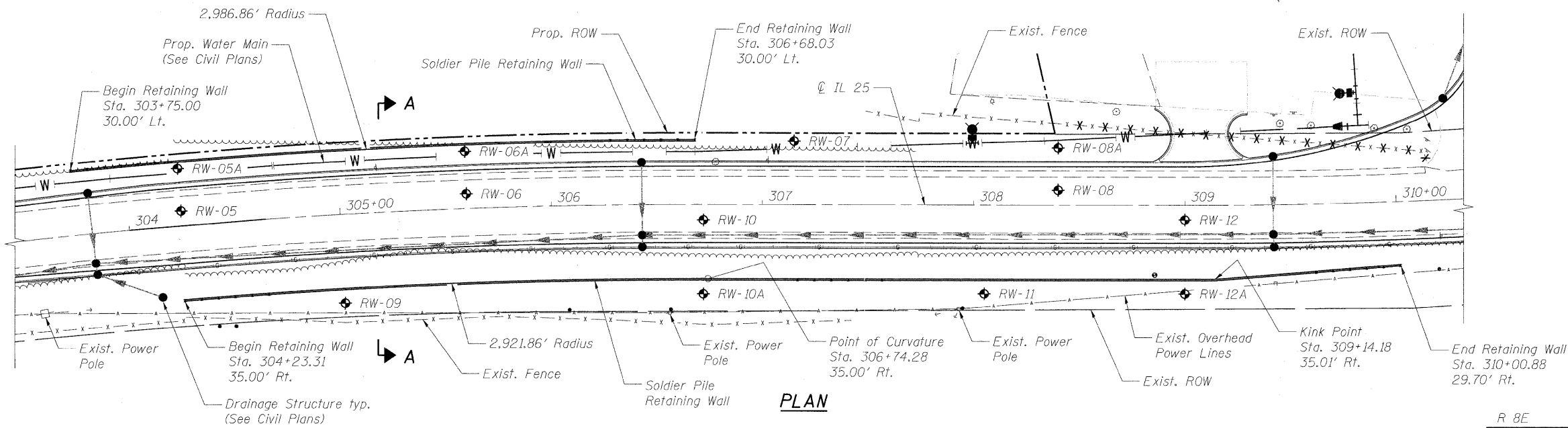
DESIGN STRESSES

FIELD UNITS

- Reinforced Concrete:
 - f'_c = Compressive Strength = 4,000 psi
- Soldier Piles:
 - f_y = Yield Strength (Grade 50) = 50,000 psi
- Timber Lagging:
 - F_b = Bending Strength = 1,000 psi

PRECAST UNITS

- Precast Concrete Lagging:
 - f'_c = Compressive Strength = 4,500 psi

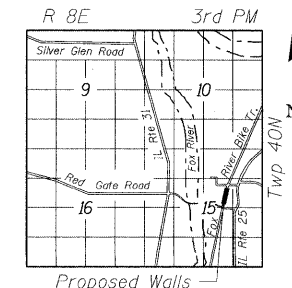


PLAN

CURVE DATA

- (IL25CUR1)
 PI = Sta. 303+63.30
 $\Delta = 12^\circ 05' 48.49''$ (RT)
 R = 2,956.86'
 T = 313.30'
 L = 624.28'
 E = 16.55'
 e = NC
 TR = N/A
 SE Run = N/A
 PC = Sta. 300+50.00
 PT = Sta. 306+74.28

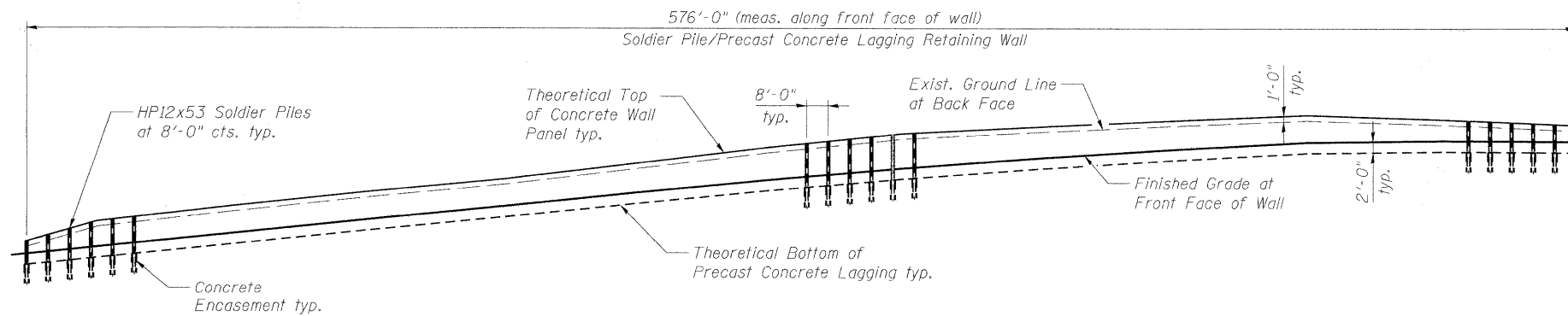
- (IL25CUR2)
 PI = Sta. 310+03.52
 $\Delta = 04^\circ 29' 27.04''$ (LT)
 R = 2,462.03'
 T = 96.54'
 L = 192.97'
 E = 1.89'
 e = NC
 TR = N/A
 SE Run = N/A
 PC = Sta. 309+06.98
 PT = Sta. 310+99.96



LOCATION SKETCH

NOTES:

- For Section A-A see Sheet SR2.
- For stations, elevations, and offsets of individual soldier piles, see Sheet SR3.
- Stations, offsets, and radii are measured front face of precast concrete lagging.
- Soldier piles shall conform to the requirements of AASHTO M270, Grade 50.
- Contractor shall be responsible for coordinating electrical power outages required to perform this work.



EAST RETAINING WALL ELEVATION

(Reflected View, Vertical Scale 2:1)

I CERTIFY THAT TO THE BEST OF MY KNOWLEDGE, INFORMATION AND BELIEF, THIS BRIDGE IS STRUCTURALLY ADEQUATE FOR THE DESIGN LOADINGS SHOWN ON THE PLANS. THE DESIGN IS AN ECONOMICAL ONE FOR THE STYLE OF STRUCTURE AND COMPLIES WITH REQUIREMENTS OF THE CURRENT AASHTO STANDARD SPECIFICATIONS FOR HIGHWAY BRIDGES.



EXPIRATION DATE 11-30-12
 DATE OCTOBER 20, 2011

ALFRED BENESCH & COMPANY



Alfred Benesch & Company
 205 North Michigan Avenue, Suite 2400
 Chicago, Illinois 60601
 312-565-0450 Job No. 10092

FILE NAME = IL_25_WALLS_001_GP.dgn

USER NAME = akeaschall
 DESIGNED - MFH
 CHECKED - AJK
 DRAWN - MFH
 PLOT DATE = 11/9/2011
 CHECKED - HMA

REVISOR -
 REVISION -
 REVISION -
 REVISION -



CITY OF ST. CHARLES

**PLAN AND ELEVATION
 RETAINING WALLS ALONG IL 25**

SHEET NO. S R1 OF S R13 SHEETS

F.A.I. RTE.	SECTION	COUNTY	TOTAL SHEETS	SHEET NO.
	04-0092-00-BR	KANE	440	299
CONTRACT NO. 63650			ILLINOIS FED. AID PROJECT	