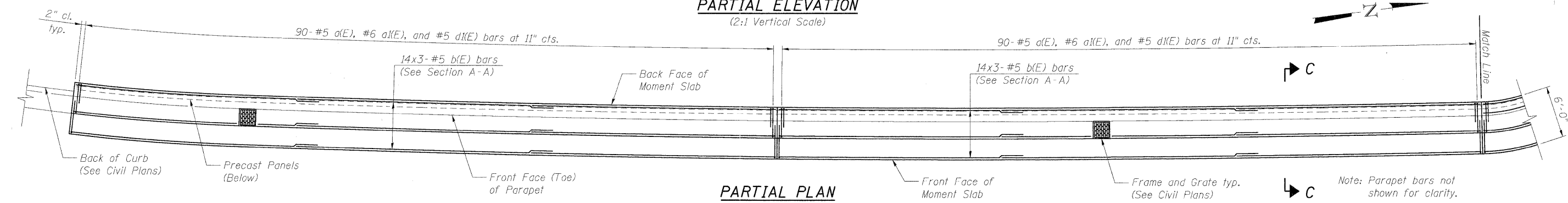
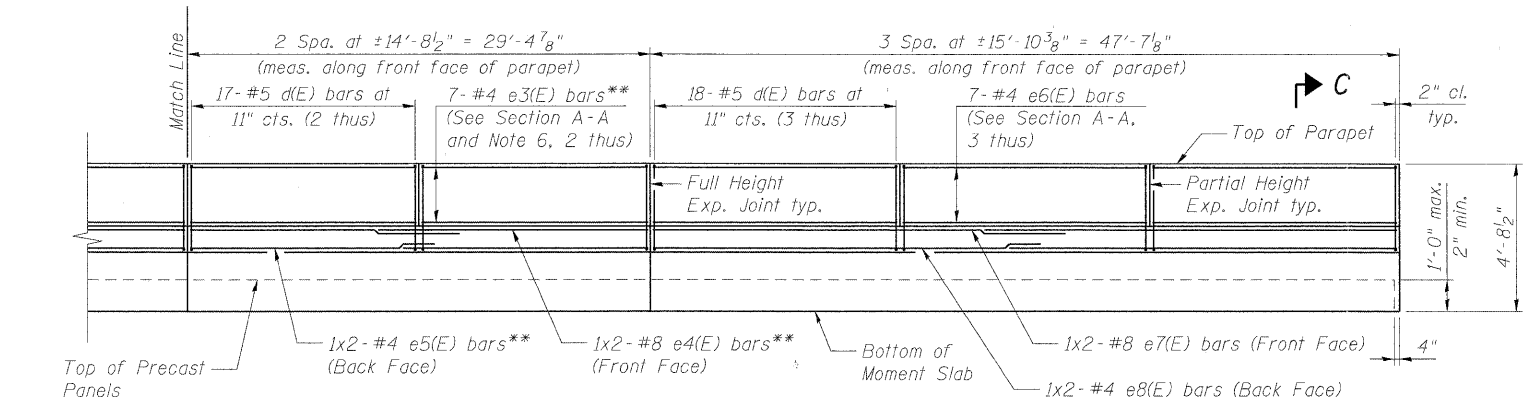


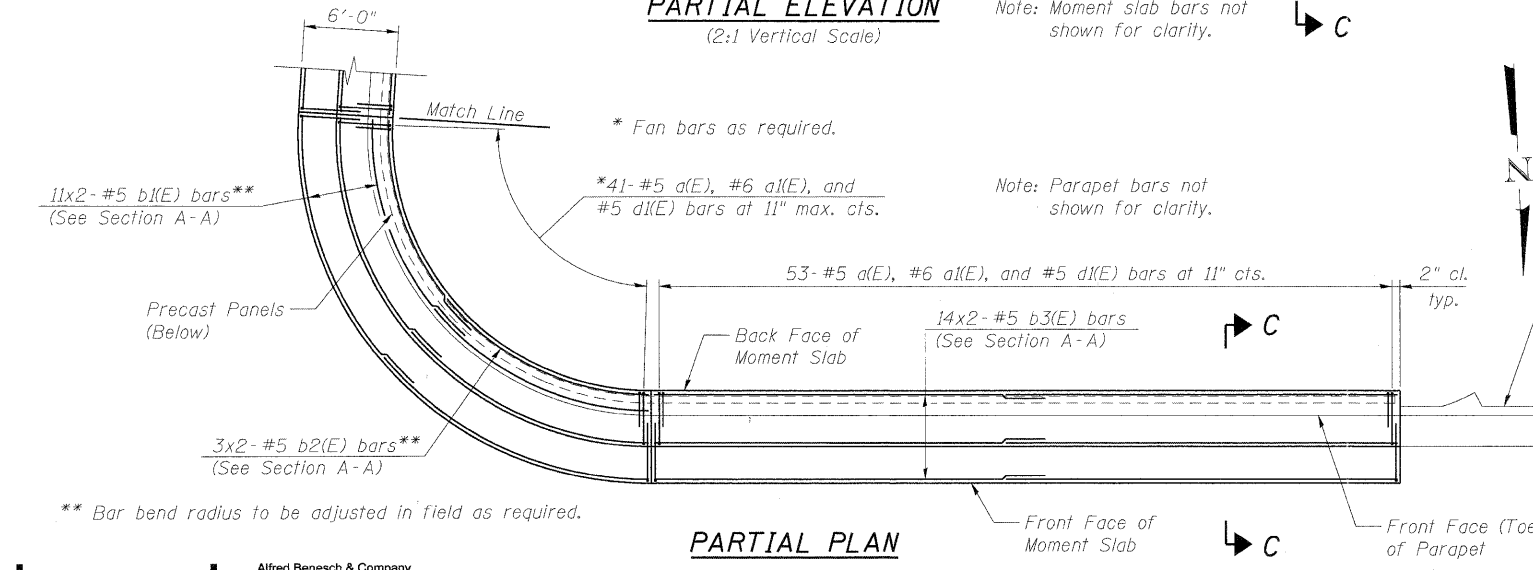
PARTIAL ELEVATION
(2:1 Vertical Scale)



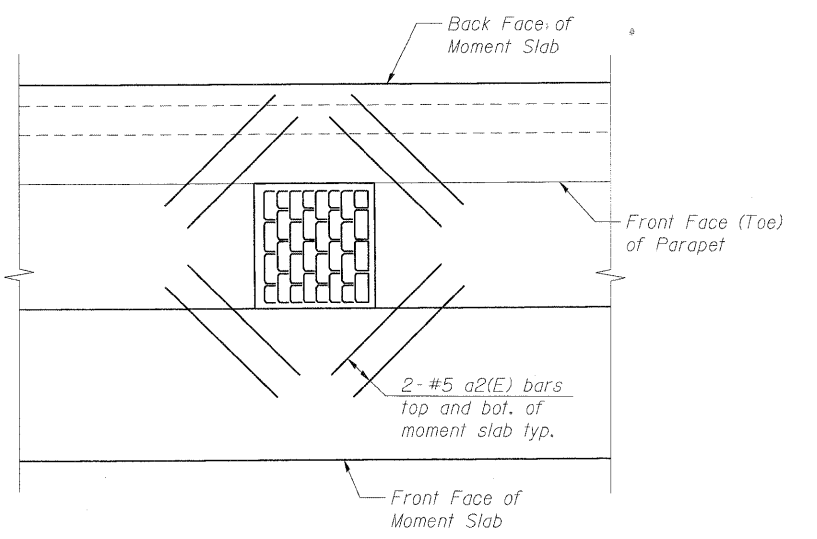
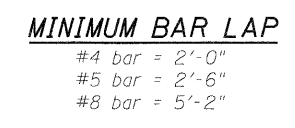
PARTIAL PLAN



PARTIAL ELEVATION
(2:1 Vertical Scale)



PARTIAL PLAN



DETAIL AT DRAINAGE STRUCTURES

- NOTES:**
1. For Section C-C see Sheet SR12.
 2. Reinforcement bars shall conform to the requirements of ASTM A 706 Gr 60. See Special Provisions.
 3. Reinforcement bars designated (E) shall be epoxy coated.
 4. See Civil Plans for drainage frame and grate locations.
 5. Bars may be cut in field as required to accommodate drainage frames.
 6. e3(E) bars may be cut in field to maintain clear distance requirements.

benesch
engineers · scientists · planners

Alfred Benesch & Company
205 North Michigan Avenue, Suite 2400
Chicago, Illinois 60601
312-565-0450 Job No. 10092

FILE NAME =	USER NAME = akeeschell	DESIGNED - MFH	REVISED -
PINELANDS_WALLS_003_MomentSlab.dgn	PLOT SCALE =	CHECKED - AJK	REVISED -
	PLOT DATE = 11/9/2011	DRAWN - MFH	REVISED -
		CHECKED - HMA	REVISED -



CITY OF ST. CHARLES

MOMENT SLAB DETAILS (1 OF 2)
RETAINING WALL AT IL 25 AND PINELANDS ROAD
SHEET NO. SR11 OF SR13 SHEETS

F.A.I. RTE.	SECTION	COUNTY	TOTAL SHEETS	SHEET NO.
	04-00092-00-BR	KANE	440	309
CONTRACT NO. 63650			ILLINOIS FED. AID PROJECT	

x:\10000s\10092\engineering-documents\redgatephase11\pinelands walls\pinelands walls\pinelands walls\003_MomentSlab.dgn 3:22:05 PM 11/9/2011