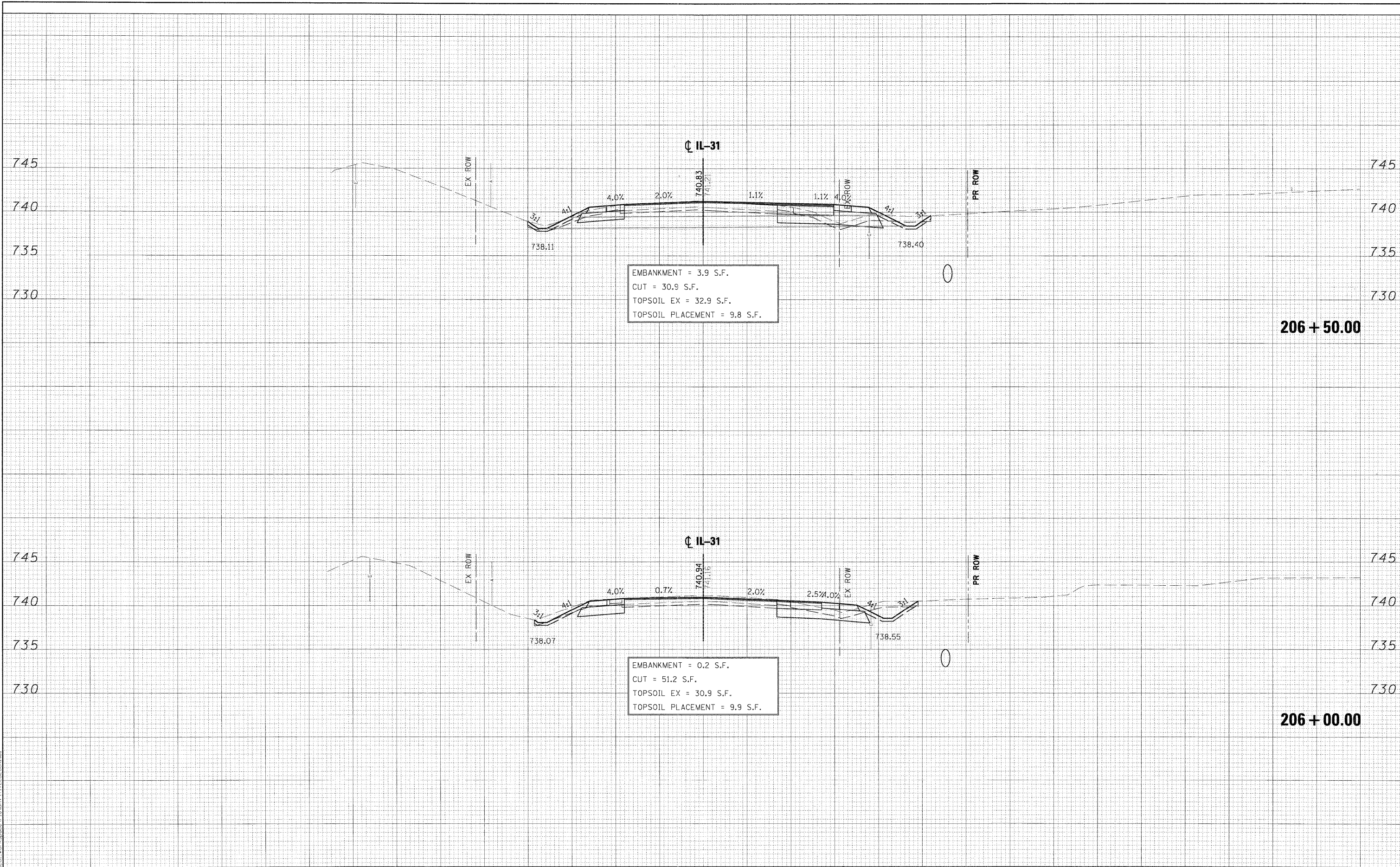


DATE _____
 BY _____
 SURVEYED _____
 PLOTTED _____
 NOTE BOOK _____
 AREAS _____
 AREAS CHECKED _____
 NO. _____

DATE _____
 BY _____
 ORIGINAL SURVEY _____
 PLOTTED _____
 NOTE BOOK _____
 AREAS _____
 AREAS CHECKED _____
 NO. _____



EMBANKMENT = 3.9 S.F.
 CUT = 30.9 S.F.
 TOPSOIL EX = 32.9 S.F.
 TOPSOIL PLACEMENT = 9.8 S.F.

EMBANKMENT = 0.2 S.F.
 CUT = 51.2 S.F.
 TOPSOIL EX = 30.9 S.F.
 TOPSOIL PLACEMENT = 9.9 S.F.

206 + 50.00

206 + 00.00

FILE NAME = ...
 DESIGNED - MAC
 DRAWN - TMB
 CHECKED - RMT
 DATE - 10/23/2011

REVISED -
 REVISED -
 REVISED -
 REVISED -



CITY OF ST. CHARLES

IL 31
 CROSS-SECTIONS

SCALE: SHEET NO. 6 OF 19 SHEETS STA. 206+00.00 TO STA. 206+50.00

F.A. RTE.	SECTION	COUNTY	TOTAL SHEETS	SHEET NO.
	04-00092-00-BR	KANE	440	371
CONTRACT NO. 63650				
ILLINOIS FED. AID PROJECT				