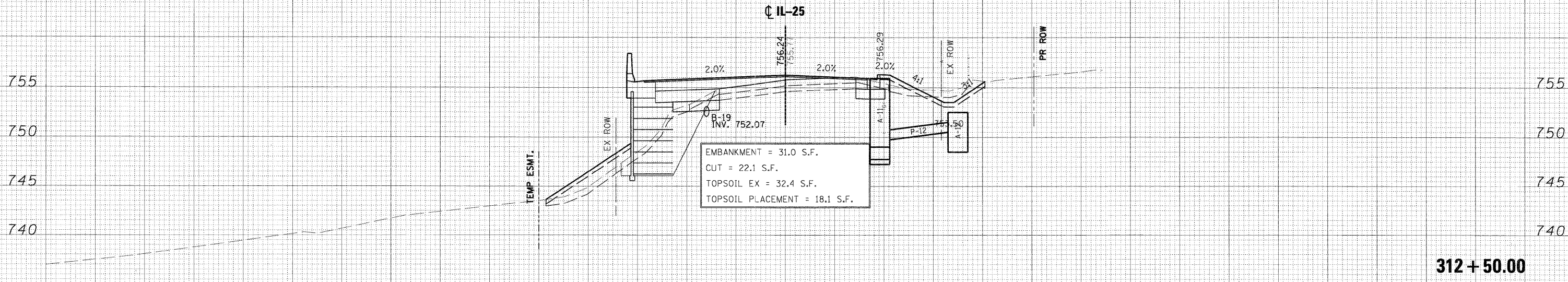
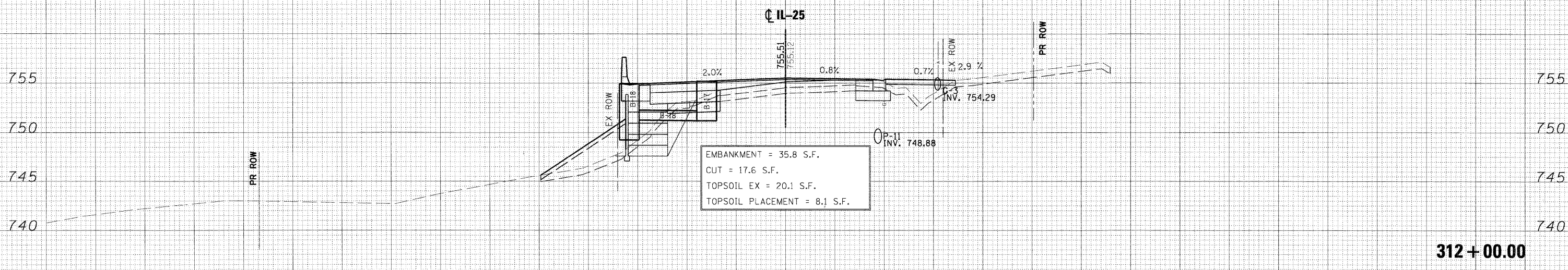


FINAL SURVEY	SURVEYED	BY	DATE
NOTE BOOK	PLOTTED		
AREAS CHECKED	TEMPLATE		
NO.			



ORIGINAL SURVEY	SURVEYED	BY	DATE
NOTE BOOK	PLOTTED		
AREAS CHECKED	TEMPLATE		
NO.			



FILE NAME * ...
 USER NAME * mcoleman
 PLOT DATE * 11/22/2011

DESIGNED	-	MAC	REVISED	-
DRAWN	-	TMB	REVISED	-
CHECKED	-	RMT	REVISED	-
DATE	-	10/23/2011	REVISED	-



CITY OF ST. CHARLES

IL 25
CROSS-SECTIONS

SCALE: SHEET NO. 19 OF 23 SHEETS STA. 312+00.00 TO STA. 312+50.00

F.A. RTE.	SECTION	COUNTY	TOTAL SHEETS	SHEET NO.
	04-00092-00-BR	KANE	440	403
			CONTRACT NO. 63650	
ILLINOIS FED. AID PROJECT				