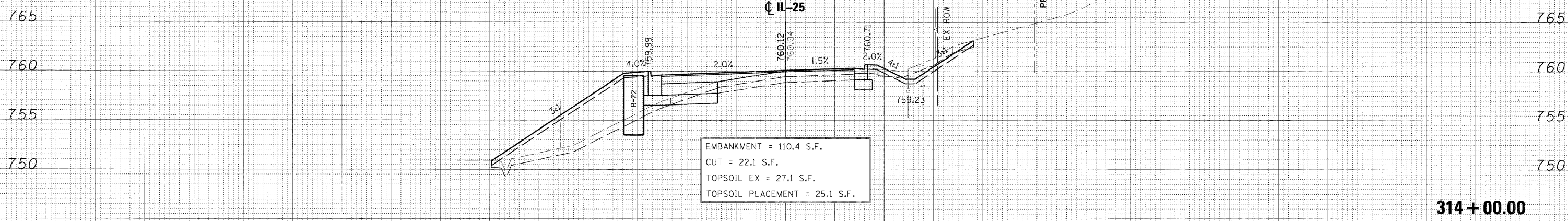
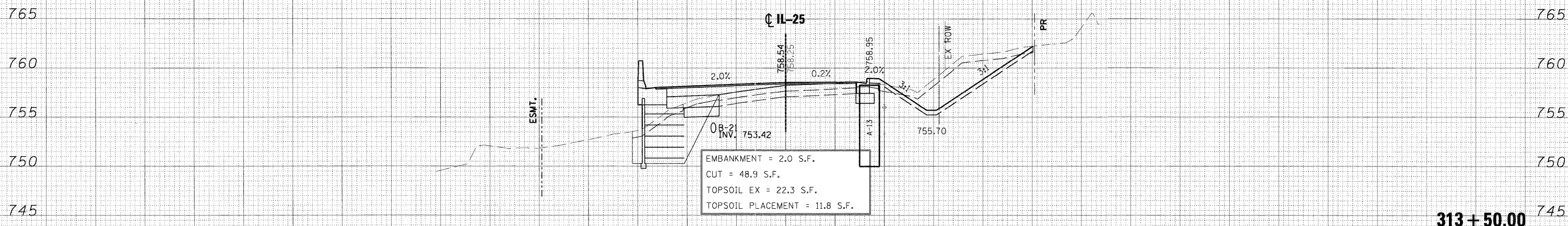


FINAL	SURVEYED	DATE
SURVEY	PLOTTED	BY
NOTE BOOK	TEMPLATE	
AREAS CHECKED		
NO.		



**314 + 00.00**

ORIGINAL	SURVEYED	DATE
SURVEY	PLOTTED	BY
NOTE BOOK	TEMPLATE	
AREAS CHECKED		
NO.		



**313 + 50.00**