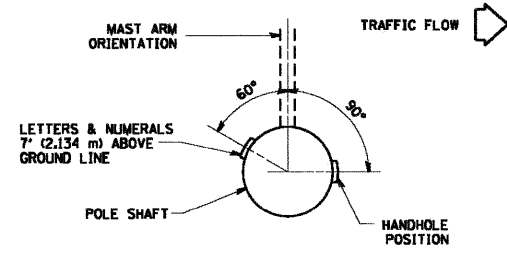
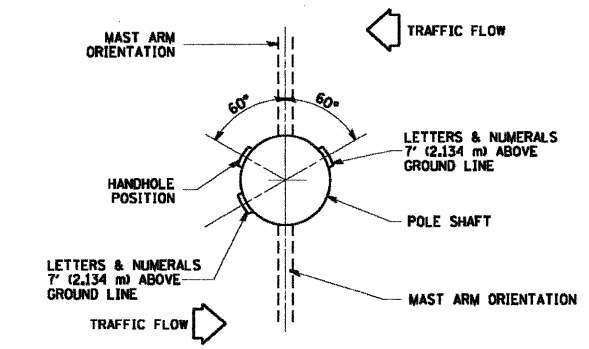


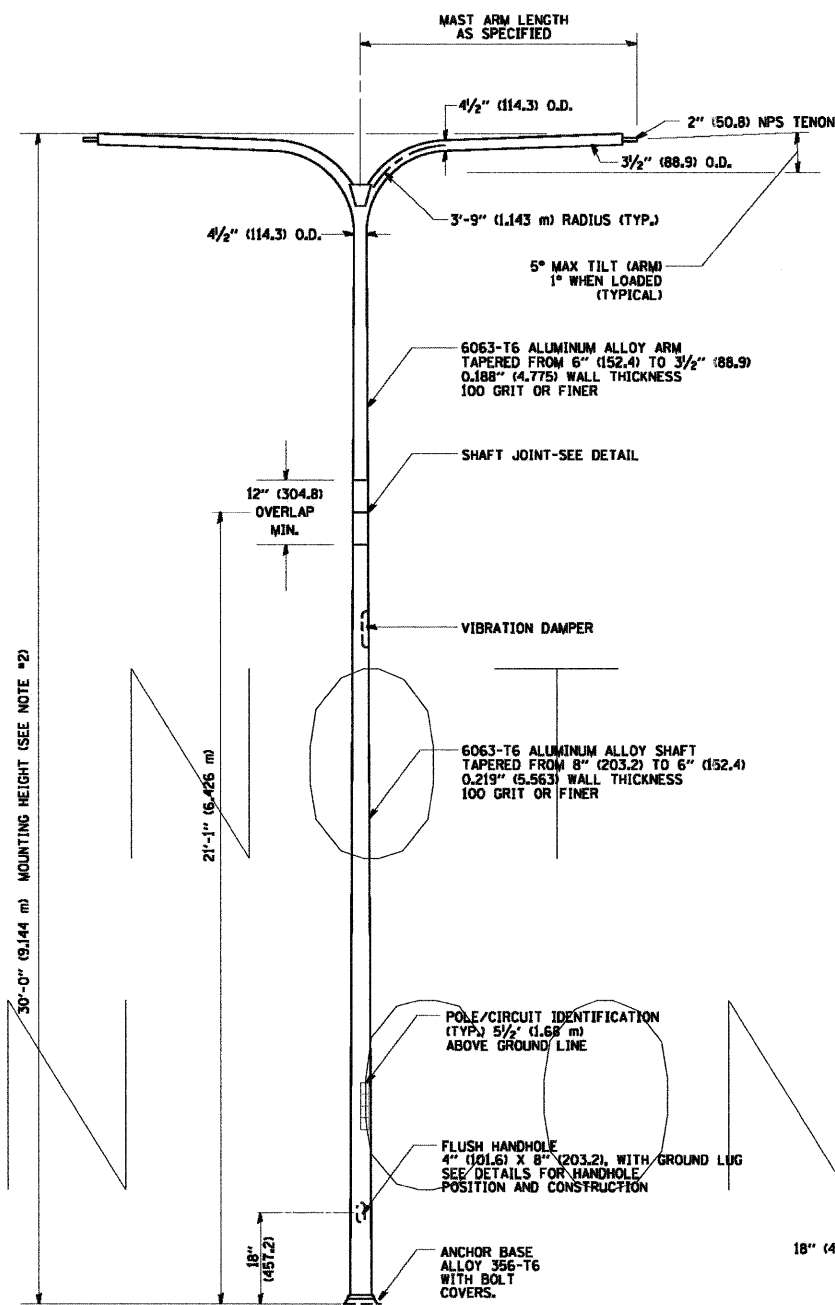
POSITION OF HANDHOLE AND POLE NUMBER FOR SINGLE MAST ARM POLES MOUNTED ON BRIDGE PARAPET OR BARRIER WALL



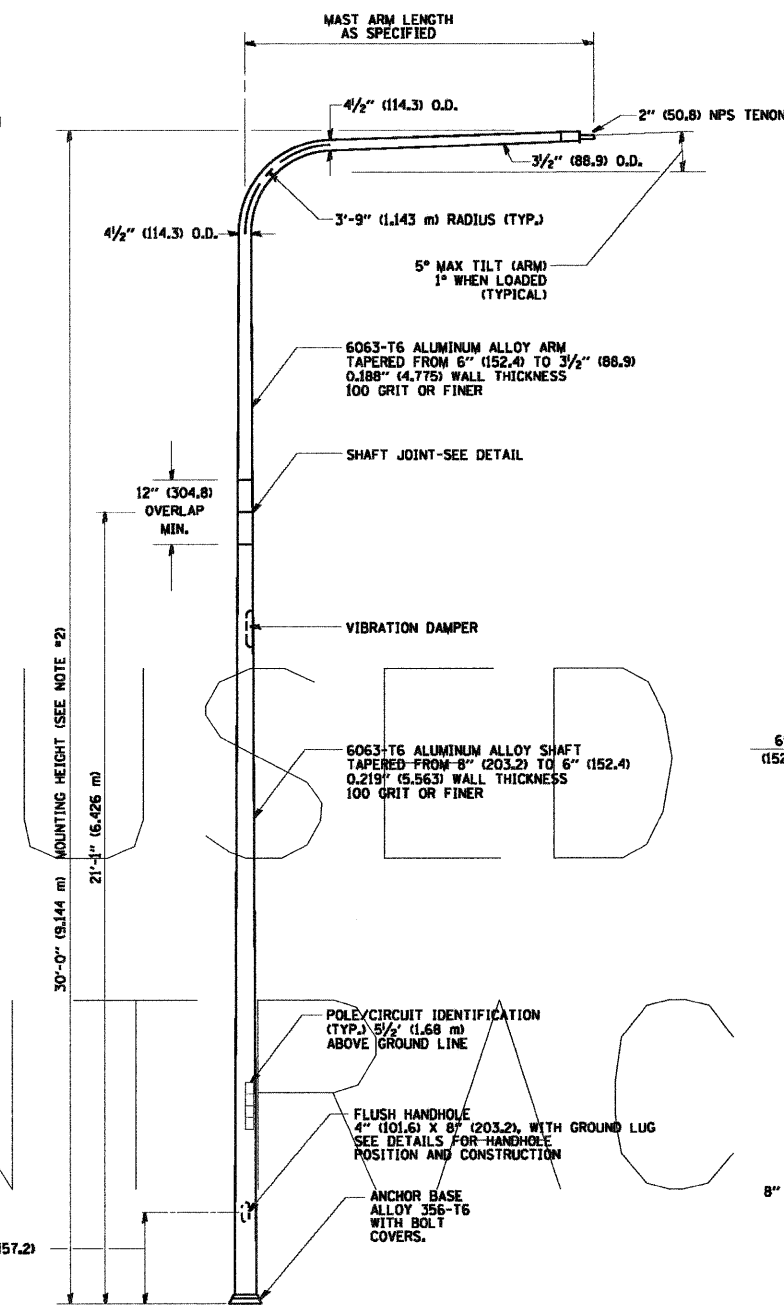
POSITION OF HANDHOLE AND POLE NUMBER FOR SINGLE MAST ARM POLES



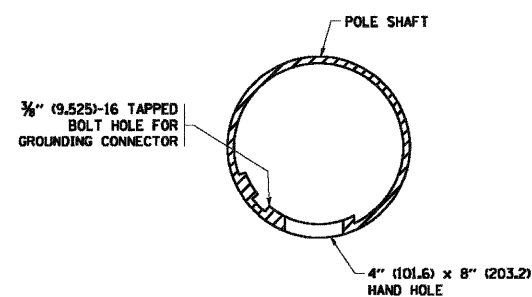
POSITION OF HANDHOLE AND POLE NUMBER FOR TWIN MAST ARM POLES



TWIN ARM POLE

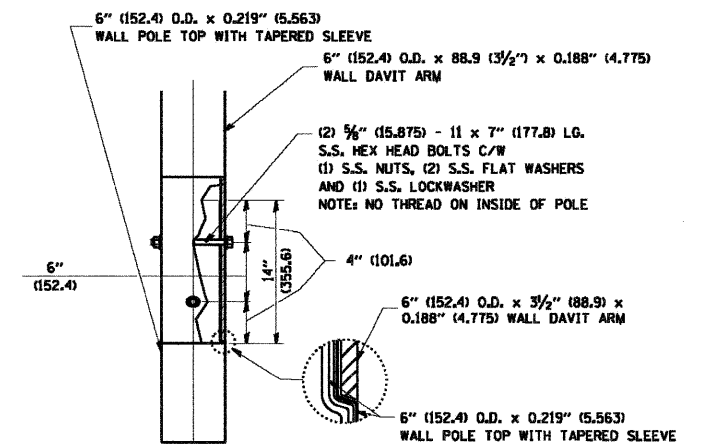


SINGLE ARM POLE

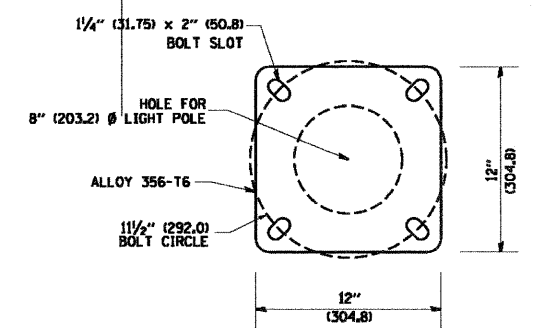


HANDHOLE DETAIL (N.T.S.)

- NOTES:
1. ALL DIMENSIONS ARE IN INCHES (MILLIMETERS) UNLESS OTHERWISE SHOWN.
  2. MOUNTING HEIGHT IS DEFINED AS THE DISTANCE FROM THE CENTERLINE OF THE TENON TO THE BOTTOM OF THE ANCHOR BASE.
  3. TWO Poles WILL BE MATCHED MARKED AND INTERCHANGEABLE BETWEEN DIFFERENT UNITS. FIELD DRILLING OF THE HOLES WILL NOT BE ALLOWED.
  4. THE LIGHT POLE WILL MEET AASHTO DESIGN CRITERIA AS SPECIFIED.
  5. THE INSTALLING CONTRACTOR WILL PROVIDE A LISTED GROUNDING CONNECTOR, BURNDY K2C23, T&B SP4DL OR APPROVED EQUAL.
  6. LIGHT POLES WILL NOT BE INSTALLED WITHOUT MAST ARMS AND LUMINAIRES.
  7. LIGHT POLES WILL BE SET PLUMB ON THE FOUNDATION WITHOUT THE USE OF LEVELING NUTS, WASHERS OR SHIMS.
  8. LIGHTING UNIT IDENTIFICATION NUMBERS SHALL BE INSTALLED BEFORE THE LIGHTING UNIT IS ENERGIZED.



DAVIT ARM CONNECTION [14" (355.6) OVERLAP SHOWN]



LIGHT POLE BASE PLATE DETAIL 1 1/2" (292.0) BOLT CIRCLE

FILE NAME = W:\dstata\22x34\be413.dgn	USER NAME = gaglianob	DESIGNED -	REVISED - D. DREW 04-02-92	<b>STATE OF ILLINOIS DEPARTMENT OF TRANSPORTATION</b>	<b>DAVIT LIGHT POLE</b>		F.A. RTE. -	SECTION	COUNTY	TOTAL SHEETS	SHEET NO.
		DRAWN - RL	REVISED - D. DREW 05-07-92		30'-0" (9.144 m) MOUNTING HEIGHT			04-00092-00-BR	KANE	440	424
		CHECKED -	REVISED - R. TOMSONS 09-06-00		SCALE: NONE		SHEET NO. 1 OF 1 SHEETS	TO STA.	TO STA.	CONTRACT NO. 63650	
		DATE -	REVISED - R. TOMSONS 09-02-03		FED. ROAD DIST. NO. 1 ILLINOIS FED. AID PROJECT						