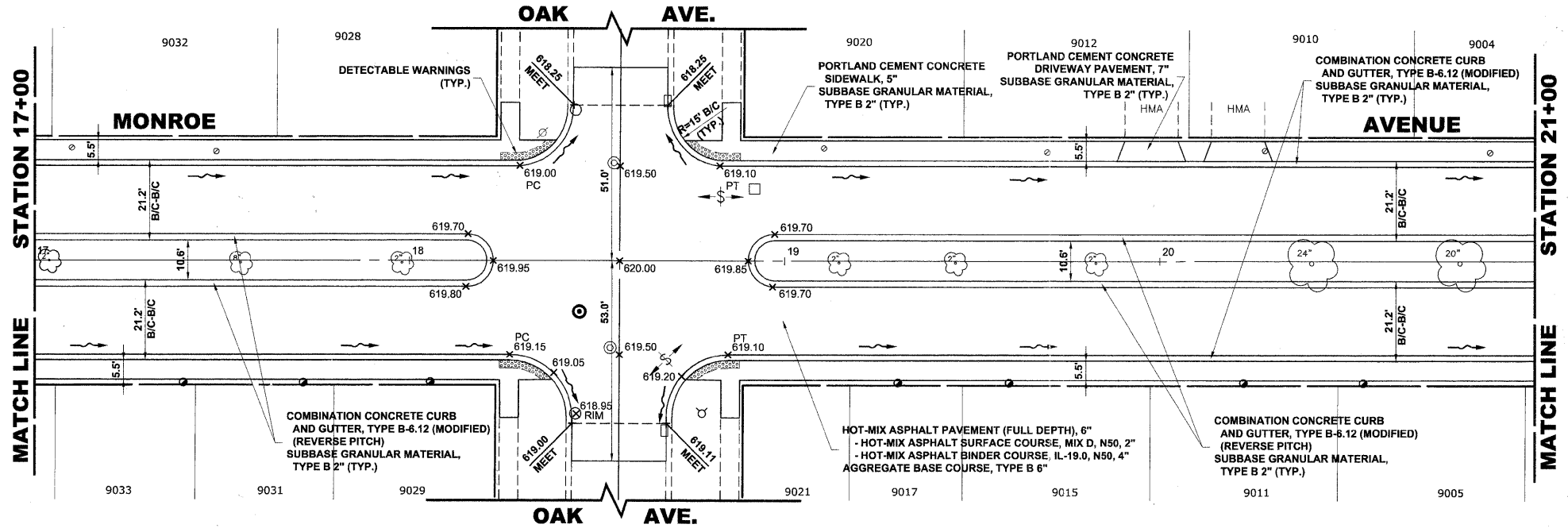
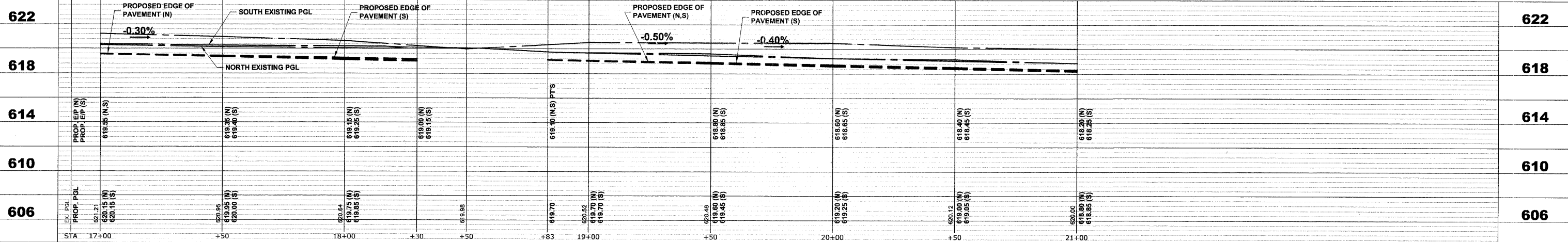


EXISTING TOPOGRAPHY



PROPOSED IMPROVEMENTS



Drawing file: W:\Projects\2509232 - Grand Blvd. Design - Engineer\Grand Blvd\Grand Blvd.dwg Oct. 26, 2011 - 10:52am

HANCOCK ENGINEERING
 Civil Engineers
 Municipal Consultants
 Established 1911

USER NAME -	DESIGNED - WOP, JG	REVISED -
PLOT SCALE -	DRAWN - MK, DMM	REVISED -
PLOT DATE -	CHECKED - WOP, JG	REVISED -
	DATE - 10-24-11	REVISED -

**STATE OF ILLINOIS
 DEPARTMENT OF TRANSPORTATION**

**MONROE AVENUE
 PAVING PLAN AND PROFILE**

SCALE: 1"=20'H. 1"=4'V. SHEET NO. 6 OF 8 SHEETS STA. 17+00 TO STA. 21+00

ROUTE NO.	SECTION	COUNTY	TOTAL SHEETS	SHEET NO.
FAU 1694	07-00122-01-PV	COOK	86	29
FIELD BOOK NO. -JAERIALS/LL		CONTRACT NO. 63651		
FED. ROAD DIST. NO. 1		ILLINOIS FED. AID PROJECT M-9003(875)		