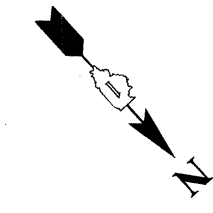
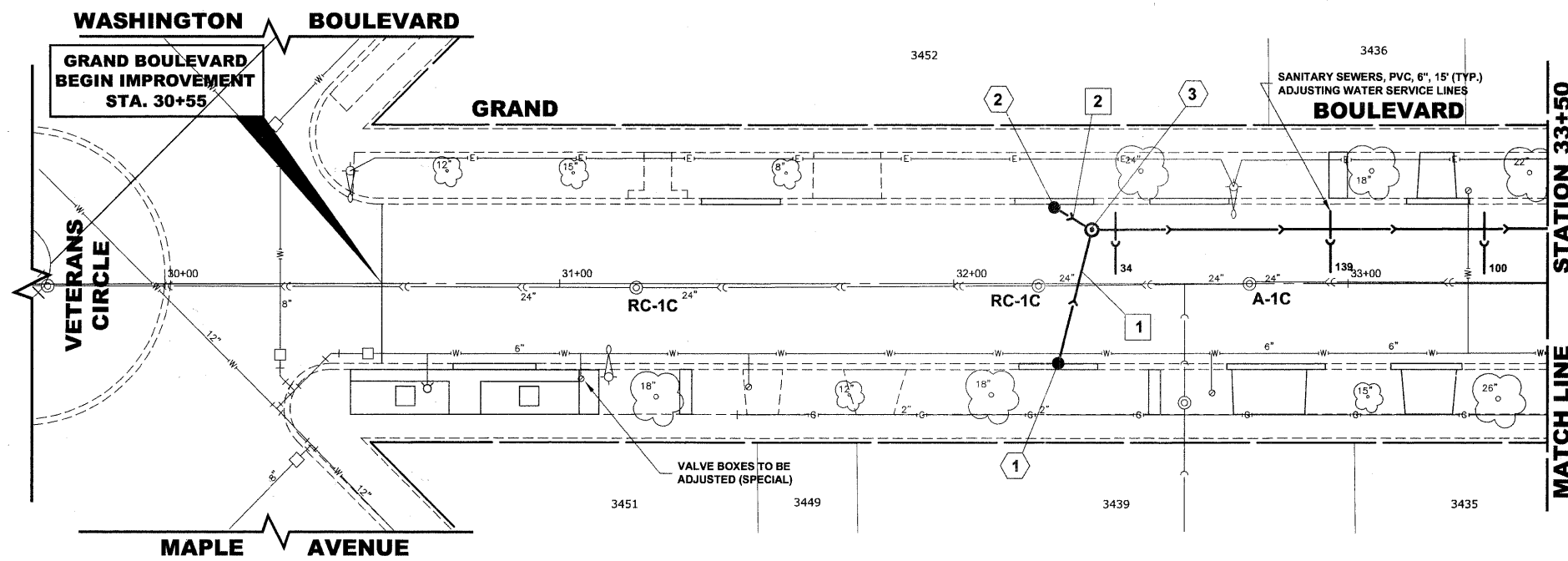


STRUCTURE NO.	STATION	OFFSET	TYPE	RIM EL.	INVERT ELEVATION
1	32+25	20' RT	CATCH BASINS, TYPE A, 4' DIA, TYPE 1 FRAME, OPEN LID	620.35	616.60 (10" SW)
2	32+25	20' LT	CATCH BASINS, TYPE A, 4' DIA, TYPE 1 FRAME, OPEN LID	620.30	616.55 (10" N)
3	32+35	14' LT	MANHOLES, TYPE A, 5' DIA, TYPE 1 FRAME, CLOSED LID	620.80	614.41 (18" NW) 616.25 (10" NE) 616.45 (10" S)

EXISTING TOPOGRAPHY



PIPE NO.	LENGTH	PAY ITEM	SLOPE	C.Y.T.B.
1	35'	STORM SEW CL B 2 10	1.00%	13.8
2	10'	STORM SEW CL B 2 10	1.00%	2.1

NOTE :
FIGURES SHOWN AT THE END OF THE 6" SANITARY SEWER SERVICES INDICATE THE DISTANCE THE SERVICE IS FROM THE COMBINED SEWER MANHOLE.

PROPOSED IMPROVEMENTS

STATION	30+56.5	31+00	+50	32+00	+50	33+00	+50
622							
618							
614							
610							
606							

<p>1917 Riverside Road Winchester, Illinois 60189-1700 Phone: 708-945-6900 Fax: 708-945-6722</p>	USER NAME - DESIGNED - WOP, JG DRAWN - MK, DMM CHECKED - WOP, JG DATE - 10-24-11	REVISED - REVISED - REVISED - REVISED -	STATE OF ILLINOIS DEPARTMENT OF TRANSPORTATION	GRAND BOULEVARD UTILITY PLAN AND PROFILE	ROUTE NO. - SECTION - COUNTY - TOTAL SHEETS - SHEET NO. -
	PLOT SCALE - PLOT DATE -	SCALE: 1"=20'H, 1"=4'V. SHEET NO. 1 OF 10 SHEETS STA. 30+55 TO STA. 33+50			FAU 1694 07-00122-01-PV COOK FIELD BOOK NO. -JAERIALS/ILL CONTRACT NO. 63651 FED. ROAD DIST. NO. 1 ILLINOIS FED. AID PROJECT M-9003(875)

Drawing file: W:\Projects\12509232 - Grand Blvd. Design\Engineer\Grand Blvd\Grand Blvd.dwg Oct 25, 2011 - 11:48am