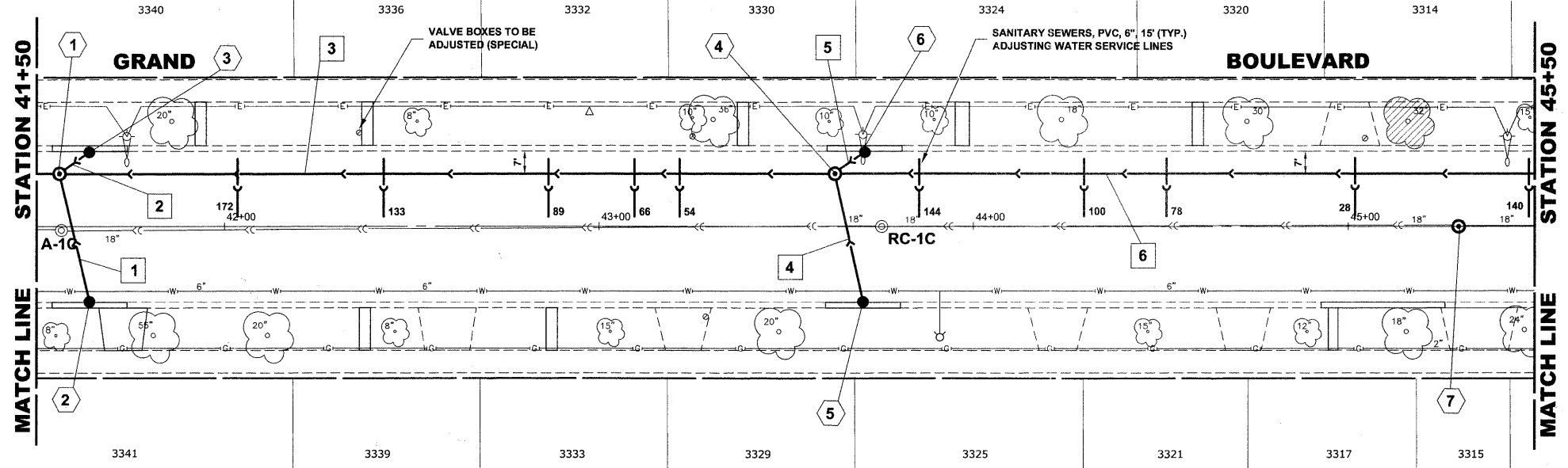


STRUCTURE NO.	STATION	OFFSET	TYPE	RIM EL.	INVERT ELEVATION
1	41+56	14' LT	MANHOLES, TYPE A, 5' DIA. TYPE 1 FRAME, CLOSED LID	621.05	610.94 (42' SE-NW) 616.60 (10' NE) 616.90 (10' W)
2	41+65	20' RT	CATCH BASINS, TYPE A, 4' DIA. TYPE 1 FRAME, OPEN LID	620.70	616.95 (10' SW)
3	41+65	20' LT	CATCH BASINS, TYPE A, 4' DIA. TYPE 1 FRAME, OPEN LID	620.75	617.00 (10' E)
4	43+63	14' LT	MANHOLES, TYPE A, 5' DIA. TYPE 1 FRAME, CLOSED LID	621.20	611.12 (42' SE-NW) 616.80 (10' NE) 617.10 (10' W)
5	43+70	20' RT	CATCH BASINS, TYPE A, 4' DIA. TYPE 1 FRAME, OPEN LID	620.90	617.15 (10' SW)
6	43+71	20' LT	CATCH BASINS, TYPE A, 4' DIA. TYPE 1 FRAME, OPEN LID	620.95	617.20 (10' E)
7	45+30	0' LT	COMBINED SEWER MANHOLE, 4' DIA. TYPE 1 FRAME, CLOSED LID	621.61	613.08 (18' SE-NW)

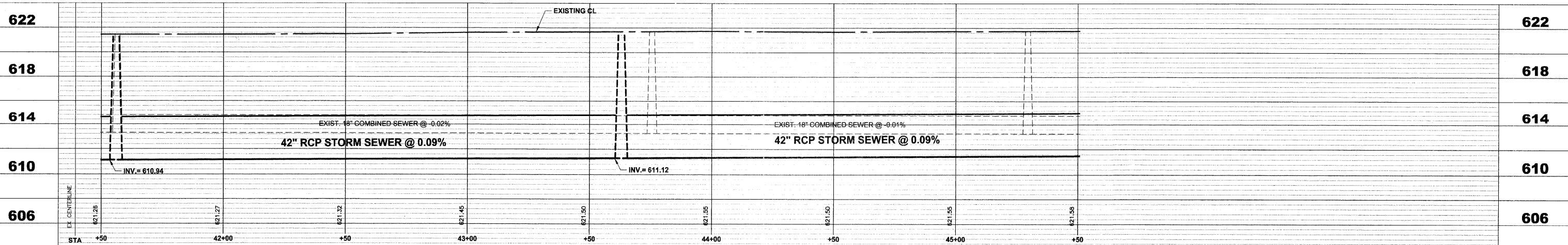
EXISTING TOPOGRAPHY



PIPE NO.	LENGTH	PAY ITEM	SLOPE	C.Y.T.B.
1	35'	STORM SEW/CL B 2 10	1.00%	3.1
2	10'	STORM SEW/CL B 2 10	1.00%	0.7
3	203'	SS RG CL A 2 42	0.09%	295.0
4	35'	STORM SEW/CL B 2 10	1.00%	2.5
5	10'	STORM SEW/CL B 2 10	1.00%	0.7
6	206'	SS RG CL A 2 42	0.23%	295.6

NOTE:
FIGURES SHOWN AT THE END OF THE 6" SANITARY SEWER SERVICES INDICATE THE DISTANCE THE SERVICE IS FROM THE COMBINED SEWER MANHOLE.

PROPOSED IMPROVEMENTS



Drawing file: W:\Projects\12509232 - Grand Blvd. Design_Engineer\Grand Blvd\Grand Blvd.dwg Oct 26, 2011 11:14am

<p>Civil Engineers Municipal Consultants Established 1911</p>	USER NAME - DESIGNED - WOP, JG DRAWN - MK, DMM CHECKED - WOP, JG PLOT DATE -	REVISED - REVISED - REVISED - REVISED -	STATE OF ILLINOIS DEPARTMENT OF TRANSPORTATION	GRAND BOULEVARD UTILITY PLAN AND PROFILE	ROUTE NO. - SECTION - COUNTY - TOTAL SHEETS - SHEET NO. -
	DATE - 10-24-11	SCALE: 1"=20'H, 1"=4'V.			SHEET NO. 4 OF 10 SHEETS STA. 41+50 TO STA. 45+50