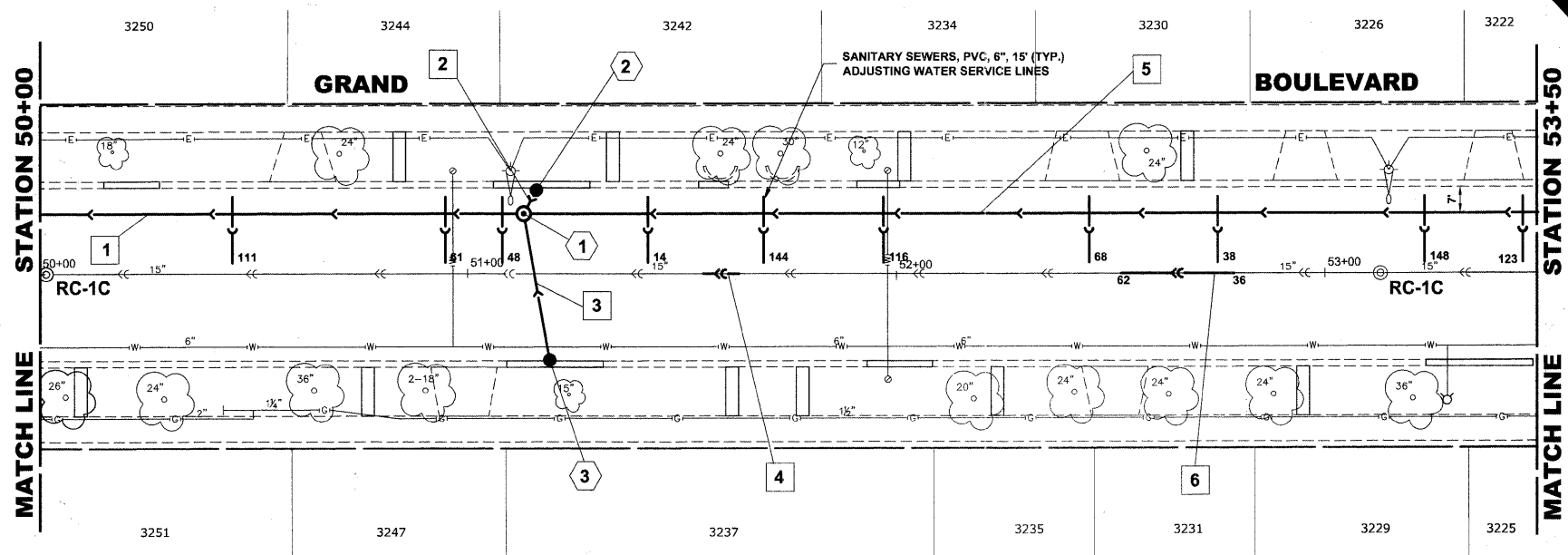


STRUCTURE NO.	STATION	OFFSET	TYPE	RIM EL.	INVERT ELEVATION
1	51+13	14' LT	MANHOLES, TYPE A 5' DIA TYPE 1 FRAME, CLOSED LID	621.45	612.30 (36' SE-NW) 616.95 (10' NE) 617.45 (10' W)
2	51+16	20' LT	CATCH BASINS, TYPE A 4' DIA, TYPE 1 FRAME, OPEN LID	621.30	617.55 (10' E)
3	51+19	20' RT	CATCH BASINS, TYPE A 4' DIA, TYPE 1 FRAME, OPEN LID	621.05	617.30 (10' SW)

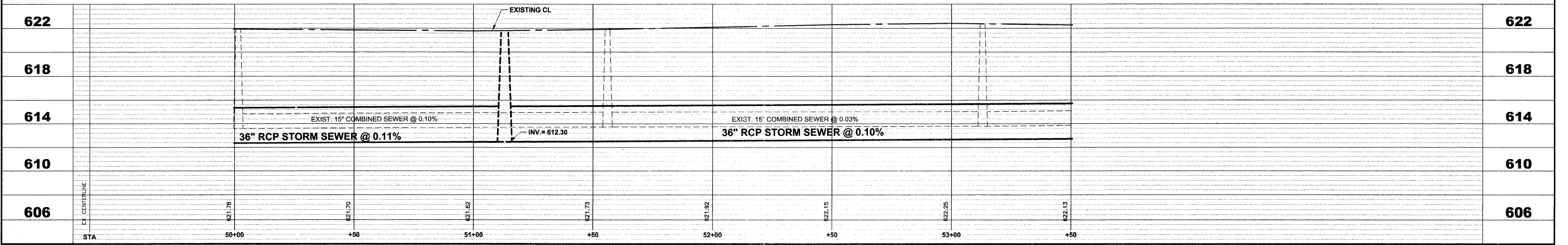
**EXISTING TOPOGRAPHY**



PIPE NO.	LENGTH	PAY ITEM	SLOPE	C.Y.T.B.
1	222'	SS RG CL A 2 36	0.11%	260.0
2	10'	STORM SEW CL B 2 10	1.00%	0.7
3	35'	STORM SEW CL B 2 10	1.00%	3.2
4	8'	15" PVC CS PIPE REPL	0.145%	2.3
5	397'	SS RG CL A 2 36	0.10%	449.7
6	26'	15" PVC CS PIPE REPL	0.145%	8.0

**NOTE :**  
 FIGURES SHOWN AT THE END OF THE 6" SANITARY SEWER SERVICES INDICATE THE DISTANCE THE SERVICE IS FROM THE COMBINED SEWER MANHOLE.

**PROPOSED IMPROVEMENTS**



**HANCOCK ENGINEERING**  
 Civil Engineers  
 Municipal Consultants  
 Established 1911

USER NAME -	DESIGNED - WOP, JG	REVISED -
PLOT SCALE -	DRAWN - MK, DMM	REVISED -
PLOT DATE -	CHECKED - WOP, JG	REVISED -
	DATE - 10-24-11	REVISED -

**STATE OF ILLINOIS  
 DEPARTMENT OF TRANSPORTATION**

**GRAND BOULEVARD  
 UTILITY PLAN AND PROFILE**

SCALE: 1"=20'H, 1"=4'V. SHEET NO. 6 OF 10 SHEETS STA. 50+00 TO STA. 53+50

ROUTE NO.	SECTION	COUNTY	TOTAL SHEETS	SHEET NO.
FAU 1694	07-00122-01-PV	COOK	86	39
FIELD BOOK NO.	CONTRACT NO.			
-JAERIALS/ILL	63651			
FED. ROAD DIST. NO. 1	ILLINOIS	FED. AID PROJECT	M-9003(875)	

Drawing file: W:\Projects\12509232 - Grand Blvd. Design\Engineer\Grand Blvd\Grand Blvd.dwg Oct. 24, 2011 - 4:45pm