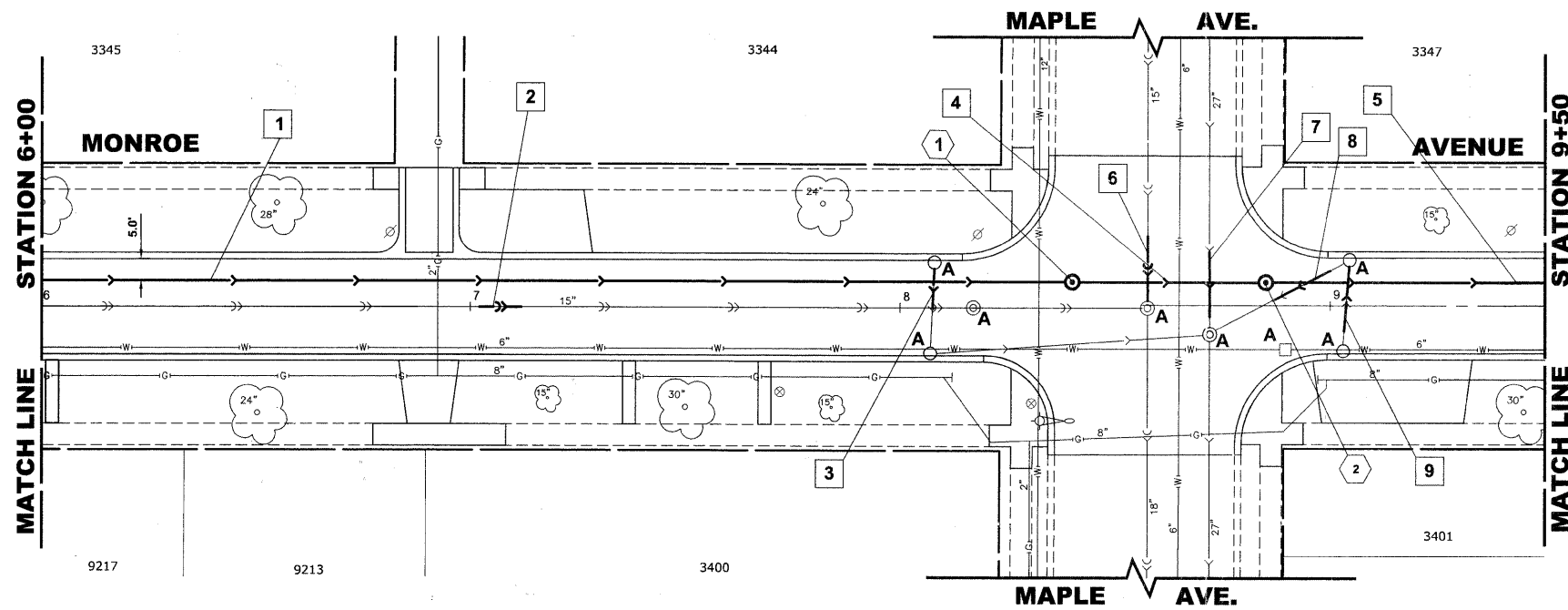


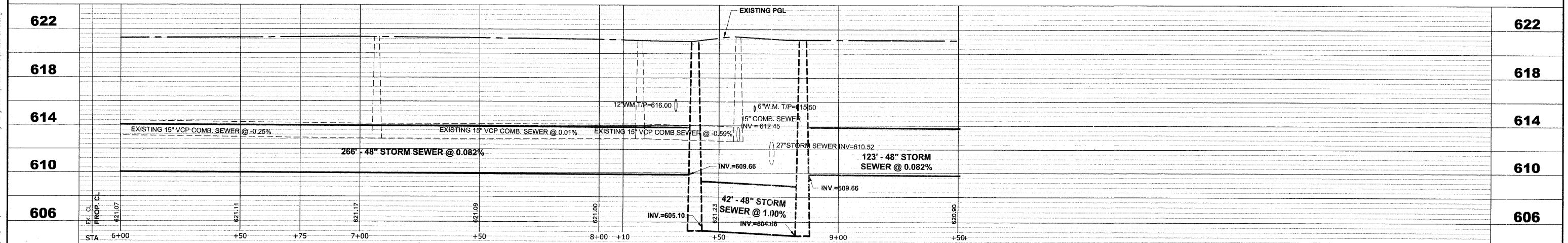
STRUCTURE NO.	STATION	OFFSET	TYPE	RIM EL.	INVERT ELEVATION
1	8+40	6' LT	MANHOLES, TYPE A 6' DIA TYPE 1 FRAME, CLOSED LID	620.70	605.10 (48" E) 609.66 (48" W)
2	8+85	6' LT	MANHOLES, TYPE A 6' DIA TYPE 1 FRAME, CLOSED LID	620.80	604.68 (48" W) 609.66 (48" E)

EXISTING TOPOGRAPHY



PIPE NO.	LENGTH	PAY ITEM	SLOPE	C.Y.T.B.
1	266'	SS RG CL A 2 48	0.082%	470.6
2	8'	15" PVC CS PIPE REPL	0.194%	2.4
3	9'	STORM SEW CL B 2 10	1.00%	0.2
4	42'	SS RG CL A 3 48	1.00%	112.9
5	123'	SS RG CL A 2 48	0.082%	223.7
6	15'	15" PVC CS PIPE REPL	0.194%	4.7
7	15'	STORM SEWER SPEC 27	0.148%	16.1
8	15'	STROM SEW CL B 2 12	1.00%	2.0
9	15'	STROM SEW CL B 2 12	1.00%	0.9

PROPOSED IMPROVEMENTS



<p>1911 Raymond Road Woodstock, Illinois 60098-1708 Phone: 384-9424/3190 Fax: 384-9424/3191</p>	USER NAME - PLOT SCALE - PLOT DATE -	DESIGNED - WOP, JG DRAWN - MK, DMM CHECKED - WOP, JG DATE - 10-24-11	REVISED - REVISED - REVISED - REVISED -	<p align="center">STATE OF ILLINOIS DEPARTMENT OF TRANSPORTATION</p>	<p align="center">MONROE AVENUE UTILITY PLAN AND PROFILE</p>	ROUTE NO. FAU 1684 SECTION 07-00122-01-PV COUNTY COOK TOTAL SHEETS 86 SHEET NO. 45	FIELD BOOK NO. -AERIALS/ILL CONTRACT NO. 63651 FED. ROAD DIST. NO. 1 ILLINOIS FED. AID PROJECT M-9003(875)
	SCALE: 1"=20'H, 1"=4'V. SHEET NO. 2 OF 8 SHEETS STA. 6+00 TO STA. 9+50		E.H.E. PROJECT NO. 125-09-23201				

Drawing file: W:\Projects\12509232 - Grand Blvd. Design - Engineer\Grand Blvd\Grand Blvd.dwg Oct 24, 2011 - 4:52pm