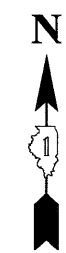
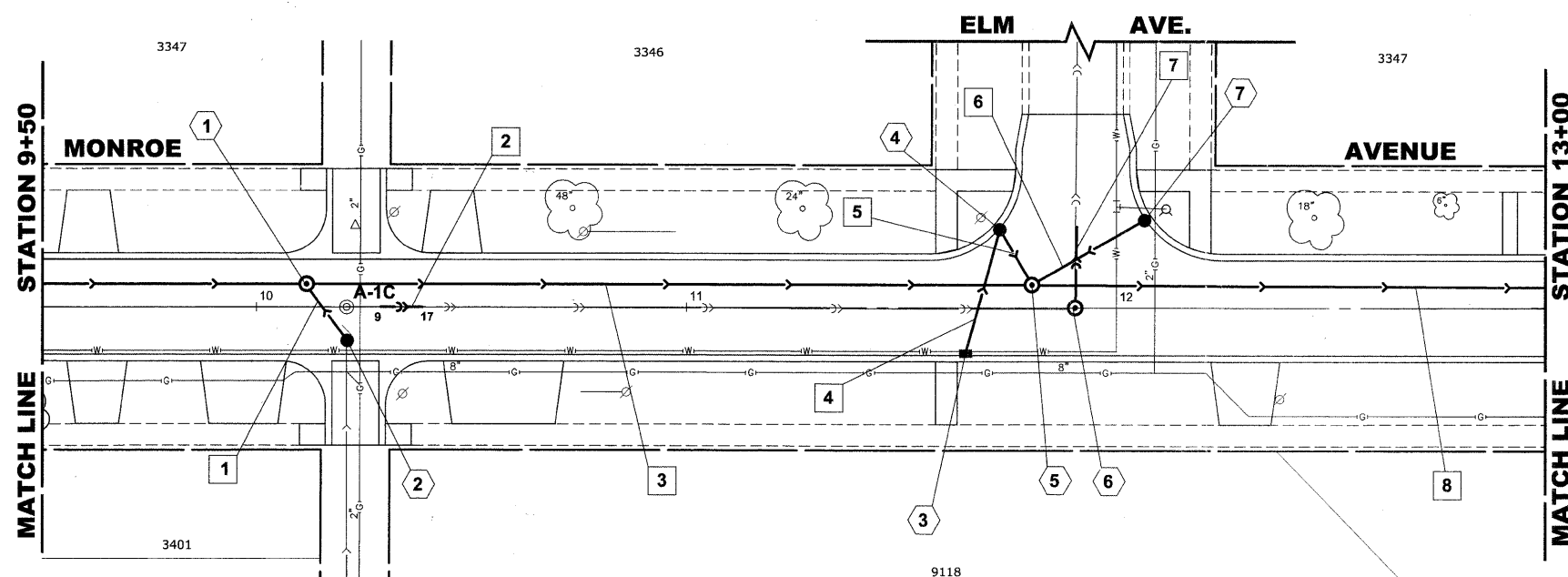


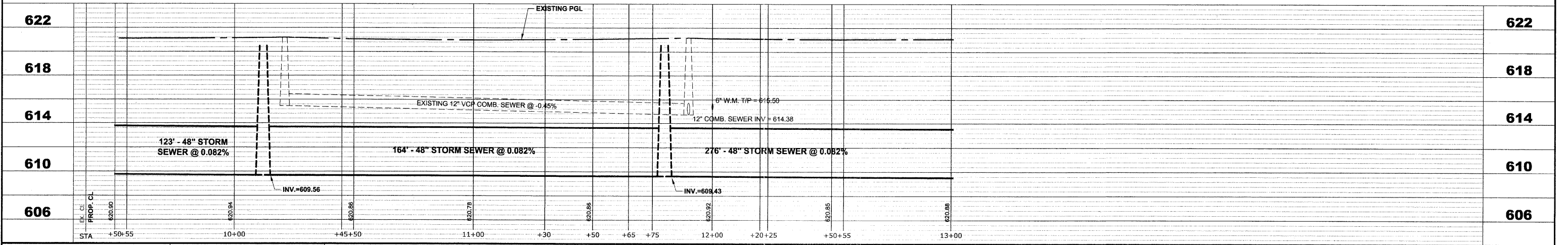
STRUCTURE NO.	STATION	OFFSET	TYPE	RIM EL.	INVERT ELEVATION
1	10+12	5' LT	MANHOLES, TYPE A 6" DIA TYPE 1 FRAME, CLOSED LID	620.90	609.50 (48" E-W) 615.70 (10" SE)
2	10+21	7' RT	CATCH BASINS, TYPE A 4' DIA, TYPE 1 FRAME, OPEN LID	620.85	615.85 (10" S) 615.85 (10" NW)
3	11+72	11' RT	INLETS, TYPE A TYPE 1 FRAME, OPEN LID	620.10	616.60 (10" N)
4	11+72	18' LT	CATCH BASINS, TYPE A 4' DIA, TYPE 1 FRAME, OPEN LID	620.05	615.00 (12" SE) 616.32 (10" S)
5	11+80	5' LT	MANHOLES, TYPE A 6" DIA TYPE 1 FRAME, CLOSED LID	620.35	609.43 (48" E-W) 614.85 (12" NW) 616.05 (12" NE)
6	11+90	0	COMBINED SEWER MANHOLE, 4' DIA TYPE 1 FRAME, CLOSED LID	620.98	614.38 (12" N) 614.51 (12" W) 615.10 (12" S)
7	12+07	20' LT	CATCH BASINS, TYPE A 4' DIA, TYPE 1 FRAME, OPEN LID	620.10	616.35 (10" SW)

**EXISTING TOPOGRAPHY**



PIPE NO.	LENGTH	PAY ITEM	SLOPE	C.Y.T.B.
1	15	STORM SEW CL B 2 10	1.00%	1.0
2	8	12' PVC CS PIPE REPL	0.194%	0.8
3	164	SS RG CL A 2 48	0.082%	295.7
4	28	STORM SEW CL B 2 10	1.00%	0.0
5	15	STORM SEW CL B 2 12	1.00%	1.1
6	30	STORM SEW CL B 2 10	1.00%	1.0
7	17	12' PVC CS PIPE REPL	0.194%	2.4
8	276	SS RG CL A 2 48	0.082%	491.1

**PROPOSED IMPROVEMENTS**



**HANCOCK ENGINEERING**  
 Civil Engineers  
 Municipal Consultants  
 Established 1911

USER NAME -	DESIGNED - WOP, JG	REVISED -
PLOT SCALE -	DRAWN - MK, DMM	REVISED -
PLOT DATE -	CHECKED - WOP, JG	REVISED -
	DATE - 10-24-11	REVISED -

**STATE OF ILLINOIS  
 DEPARTMENT OF TRANSPORTATION**

**MONROE AVENUE  
 UTILITY PLAN AND PROFILE**

SCALE: 1"=20'H, 1"=4'V. SHEET NO. 3 OF 8 SHEETS STA. 9+50 TO STA. 13+00

ROUTE NO.	SECTION	COUNTY	TOTAL SHEETS	SHEET NO.
FAU 1694	07-00122-01-PV	COOK	86	46
FIELD BOOK NO.	CONTRACT NO.			
-AERIALS/ILL	63651			
FED. ROAD DIST. NO. 1 ILLINOIS FED. AID PROJECT M-9003(875)				

Drawing file: W:\Projects\12509232 - Grand Blvd. Design - Engineer\Grand Blvd\Grand Blvd.dwg Oct. 24, 2011 - 4:52pm