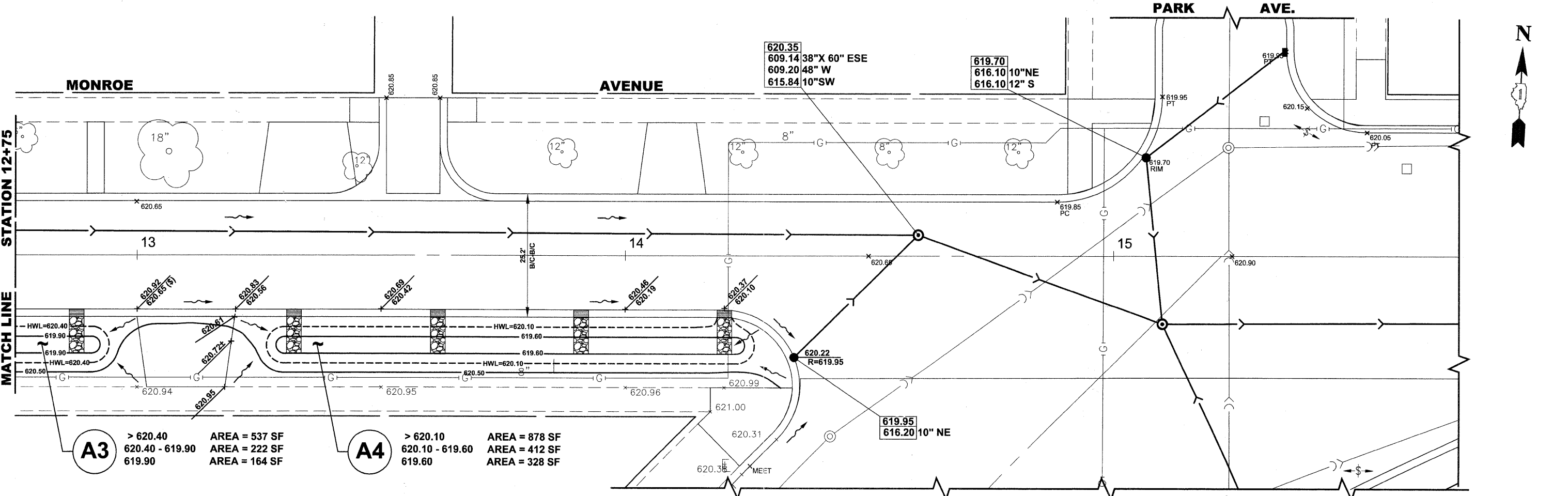
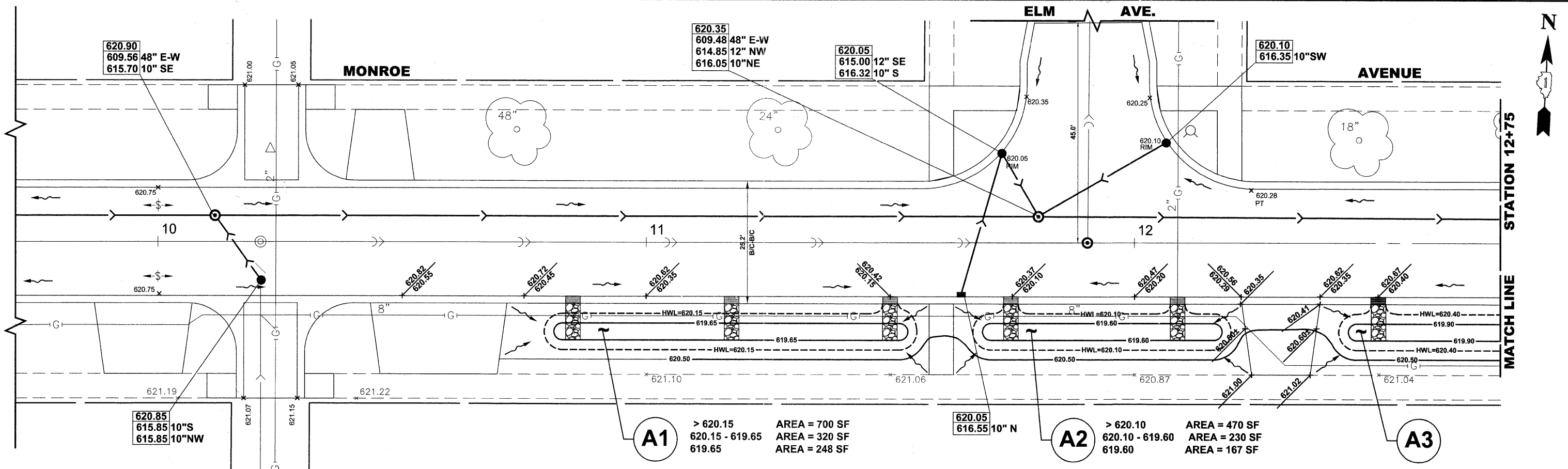


Drawing file: W:\Projects\12509232 - Grand Blvd. Design Engineer\Grand Blvd\green.dwg Oct. 24, 2011 - 2:31pm



HANCOCK ENGINEERING
 Civil Engineers
 Municipal Consultants
 Established 1911

Living Waters CONSULTANTS

DESIGNED - WOP, JG	REVISED -
DRAWN - MK, DMM	REVISED -
CHECKED - WOP, JG	REVISED -
DATE - 10-24-11	REVISED -

**STATE OF ILLINOIS
 DEPARTMENT OF TRANSPORTATION**

**MONROE AVENUE
 BIOSWALE PLACEMENT PLAN**

ROUTE NO. FAU 1694	SECTION 07-00122-01-PV	COUNTY COOK	TOTAL SHEETS 86	SHEET NO. 68
FIELD BOOK NO. -AERIALS/ILL		CONTRACT NO. 63651		
FED. ROAD DIST. NO. 1 ILLINOIS FED. AID PROJECT M-9003(875)				

SCALE: 1"=10'
 SHEET NO. 1 OF 3 SHEETS STA. - TO STA. -

E.H.E. PROJECT NO. 125-09-23201