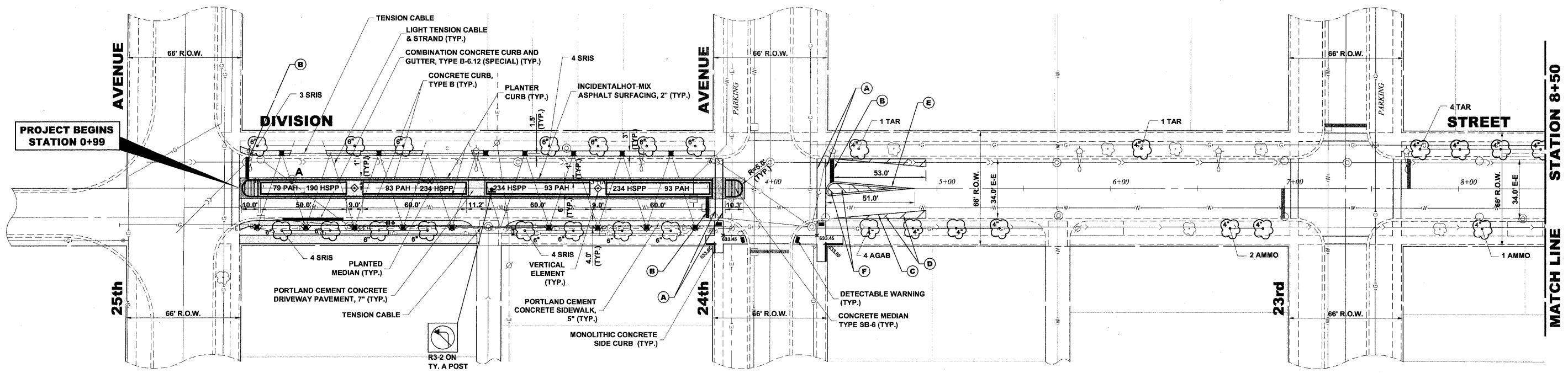


EXISTING TOPOGRAPHY

PAVEMENT MARKINGS LEGEND	
ITEM DESCRIPTION	SYMBOL
THERMOPLASTIC PAVEMENT MARKING - LINE 6", CROSS WALK, WHITE	A
THERMOPLASTIC PAVEMENT MARKING - LINE 24", STOP BAR, WHITE	B
THERMOPLASTIC PAVEMENT MARKING - LINE 4", EDGE, WHITE	C
THERMOPLASTIC PAVEMENT MARKING - LINE 12", DIAGONAL @ 20' C-C OR 5 MINIMUM, WHITE	D
THERMOPLASTIC PAVEMENT MARKING - LINE 4", DOUBLE @ 11" C-C, YELLOW	E
THERMOPLASTIC PAVEMENT MARKING - LINE 12", DIAGONAL @ 20' C-C OR 5 MINIMUM, YELLOW	F



PROPOSED IMPROVEMENT

Drawing file: W:\Projects\60011046 - Division Street IEP\DivisionStreet.dwg Nov 10, 2011 - 10:21am



◆ Civil Engineers
◆ Municipal Consultants
◆ Established 1911

9933 Roosevelt Road
Waukegan, Illinois 60154-2780
Phone: 708-965-0290
Fax: 708-965-1313

DESIGNED - ELS	REVISED -
DRAWN - MK, DMM	REVISED -
CHECKED - ELS	REVISED -
DATE - 11-02-11	REVISED -

STATE OF ILLINOIS
DEPARTMENT OF TRANSPORTATION

DIVISION STREET
(25TH AVENUE & 24TH AVENUE)

SCALE: 1" = 30' SHEET NO. 1 OF 8 SHEETS STA. 0+00 TO STA. 8+50

F.A.U. RTE. 1026	SECTION 10-00116-00-SW	COUNTY COOK	TOTAL SHEETS 40	SHEET NO. 10
FED. ROAD DIST. NO. 1 ILLINOIS		CONTRACT NO. 63654		
FED. AID PROJECT M-TE-00D1(825)		EHE PROJECT NO. 600-11-04602		