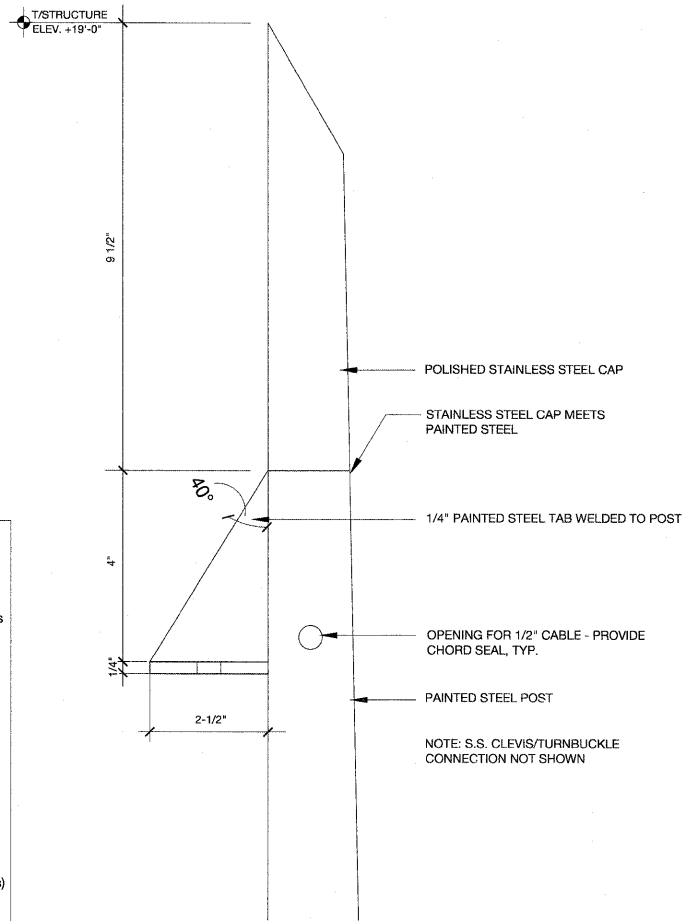


ALL S.S. CABLE/CABLE COMPONENTS BY:
 Lexco Cable Manufacturing
 7320 West Agatite Ave.
 Norridge, Illinois 60706
 (Or Engineer Approved Equal)

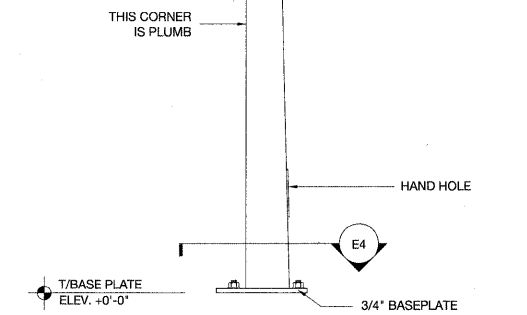
L.E.D. LIGHTING SYSTEM

MODEL: Traxon DO.MA.7014200 - String RGB
 (Or Engineered Approved Equal)
LIGHT SOURCE: 144 High Intensity Osram SMD Warm
 LEDs on each string. Total up to 48 Dots
 on each string.
LUMENS: 4.8lm per dot
LUMINANCE: 450cd/m²
COLOR RESOLUTION: 3x8-bit (RGB) per pixel
VIEWING ANGLE: 120°
COVER LENS: 1.00" Round Globe
L.E.D. PITCH: 36"
HOUSING: Thermoplastic Polyurethane Elastomer
ADJUST. OPTIONS: Flexible cable
SIZE: 0.63"x0.67" (Dot)
SAFETY APPROVAL: ETL
OPERATING TEMP.: -4°F to 122°F
RATING: Outdoor
HUMIDITY: 0 to 90%
OPERATING VOLTAGE: 48V DC
POWER CONSUMPTION: 100W max. (Distributor box and 2 strings)
POWER/DATA INTERFACE: TX CONNECT
CONTROL: DMX or e:pix
POWER SUPPLY: LED Engine 100W 48V
ADDRESSING OPTIONS: Auto-Addressing



A4 Cable Connection

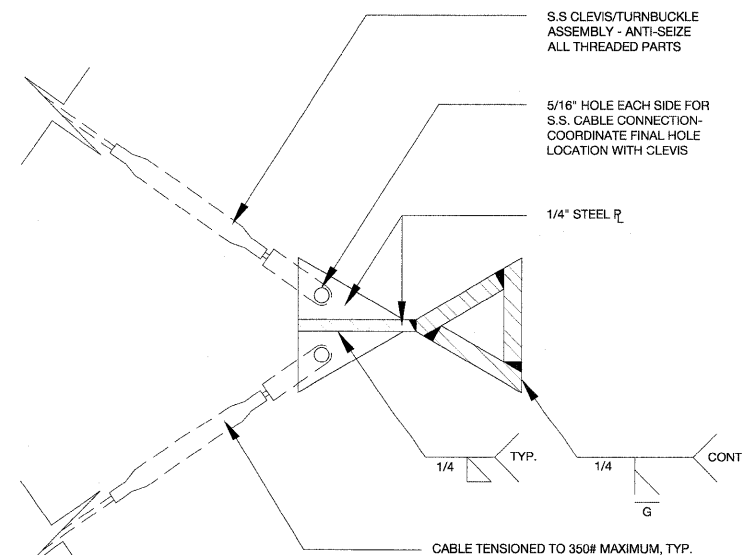
SCALE: 6"=1'-0"



Qty: Provide 39 identical structures

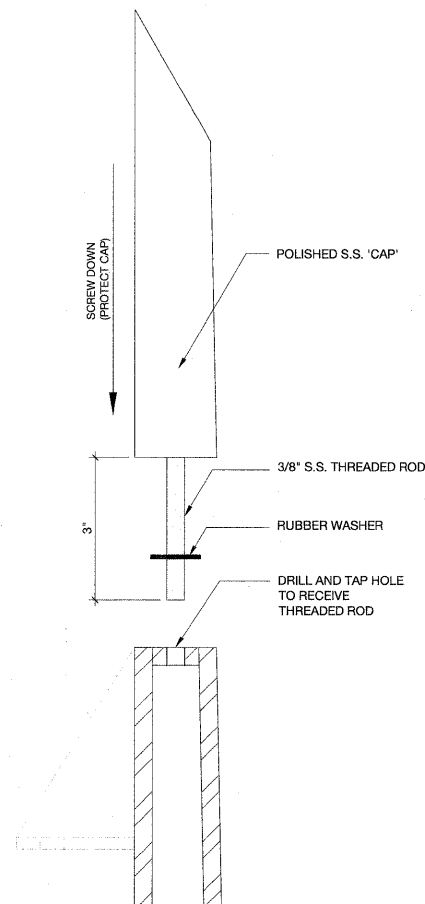
F1 Elevation

SCALE: 3/4"=1'-0"



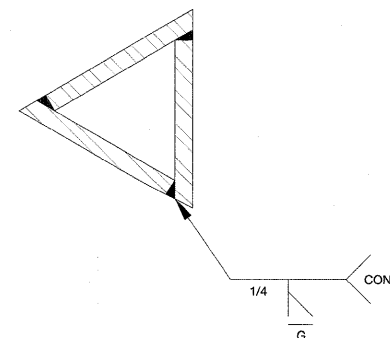
C4 Section At Wire Connection

SCALE: 6"=1'-0"



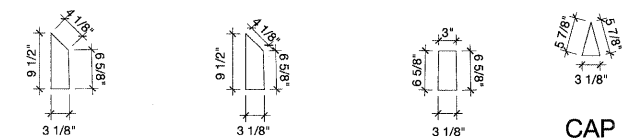
A5 S.S. Cap Detail

SCALE: 6"=1'-0"



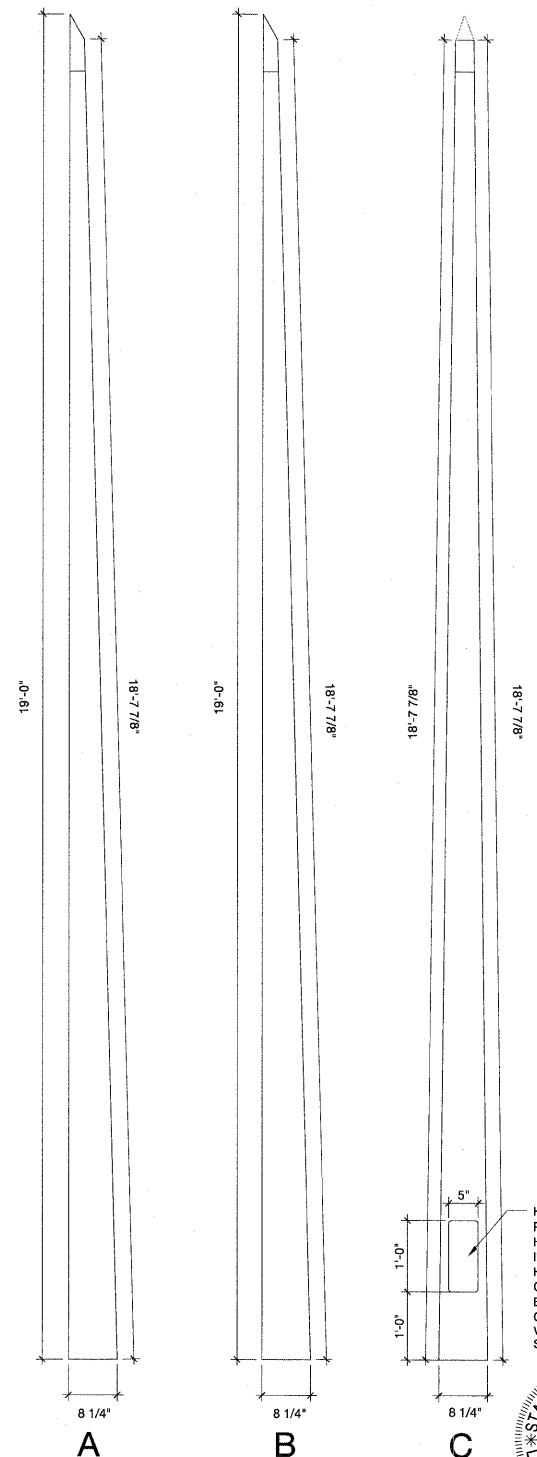
D4 Typical Section

SCALE: 6"=1'-0"



A6 Cap Details

SCALE: 3/4"=1'-0"



F6 Elevations Each Side

SCALE: 3/4"=1'-0"



James A. Gorski
 11.10.11



WOLFF LANDSCAPE ARCHITECTURE
 EDWARD WINDHORST JAMES GORSKI ARCHITECTS
 GOODFRIEND MAGRUDER STRUCTURE

DESIGNED	EW	REVISED	-
DRAWN	JG	REVISED	-
CHECKED	JG	REVISED	-
DATE	08/15/11	REVISED	-

STATE OF ILLINOIS
 DEPARTMENT OF TRANSPORTATION

Steel Post for Overhead Decorative
 Lighting System

SCALE:	SHEET NO. OF SHEETS	STA. TO STA.
--------	---------------------	--------------

F.A.U. RTE.	SECTION	COUNTY	TOTAL SHEETS	SHEET NO.
1026	10-00116-00-SW	COOK	40	21
CONTRACT NO.			63654	
FED. ROAD DIST. NO. 1 ILLINOIS			FED. AID PROJECT M-TE-0001(0225)	

EHE PROJECT NO. 600-11-04602