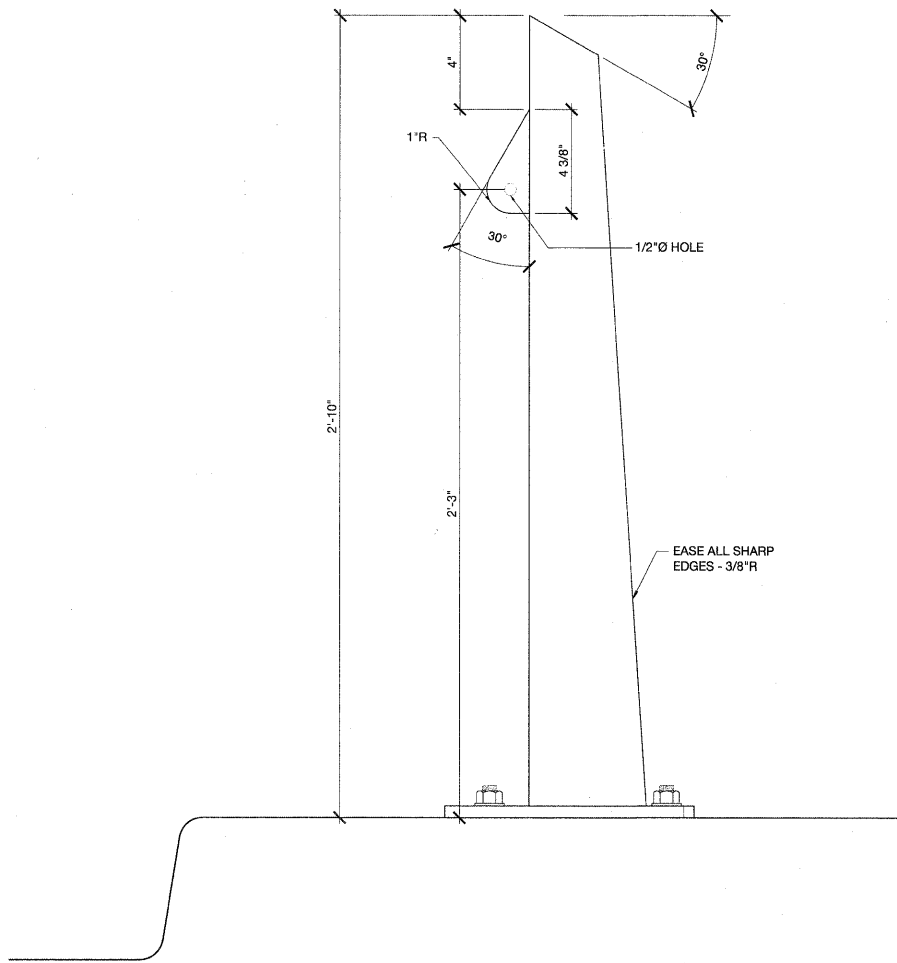


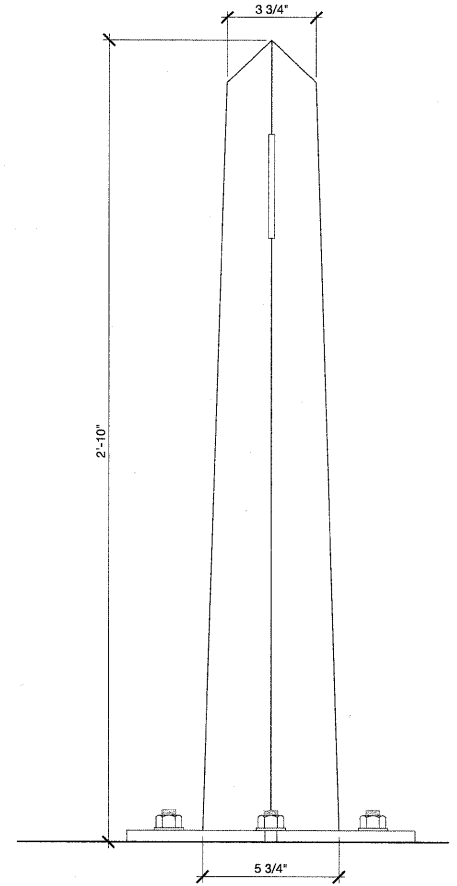
F4 Plan at Bollard Baseplate

SCALE: 3"=1'-0"



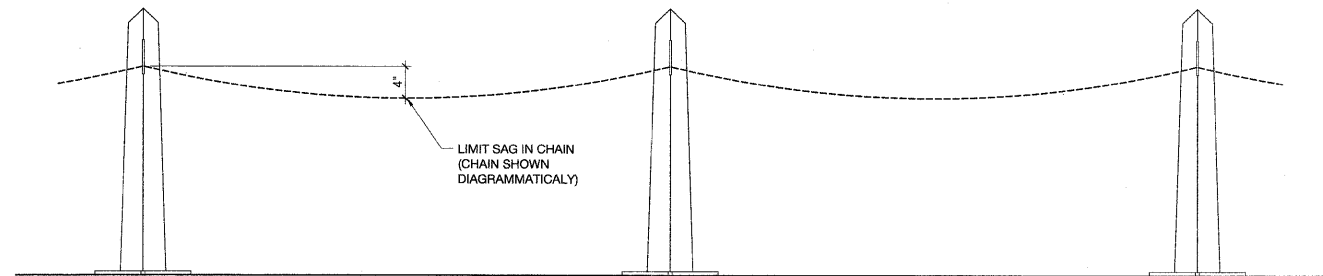
F6 Bollard Elevation

SCALE: 3"=1'-0"



F8 Bollard Elevation

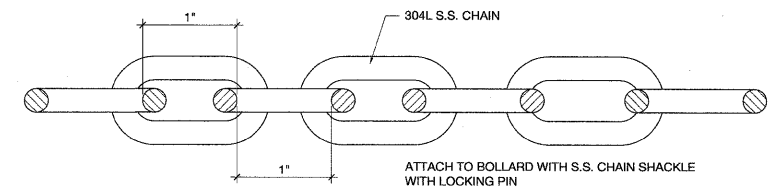
SCALE: 3"=1'-0"



NOTE: SEE DRAWING 2, SHEET 16 FOR BOLLARD LAYOUT

F5 Partial Elevation of Bollard Grouping

SCALE: 3"=1'-0"



F7 Stainless Steel Chain

SCALE: 1'-0"=1'-0"



James A. Gorski
11.10.11



WOLFF LANDSCAPE ARCHITECTURE
EDWARD WINDHORST JAMES GORSKI ARCHITECTS
GOODFRIEND MAGRUDER STRUCTURE

DESIGNED	— EW	REVISED	—
DRAWN	— JG	REVISED	—
CHECKED	— JG	REVISED	—
DATE	— 08/15/11	REVISED	—

STATE OF ILLINOIS
DEPARTMENT OF TRANSPORTATION

Custom Steel Bollard

SCALE: SHEET NO. OF SHEETS STA. TO STA.

F.A.U. RTE.	SECTION	COUNTY	TOTAL SHEETS	SHEET NO.
1026	10-00116-00-SW	COOK	40	26
FED. ROAD DIST. NO. 1 ILLINOIS		CONTRACT NO. 63654		
		FED. AID PROJECT M-TE-0001(0225)		

EHE PROJECT NO. 600-11-04602