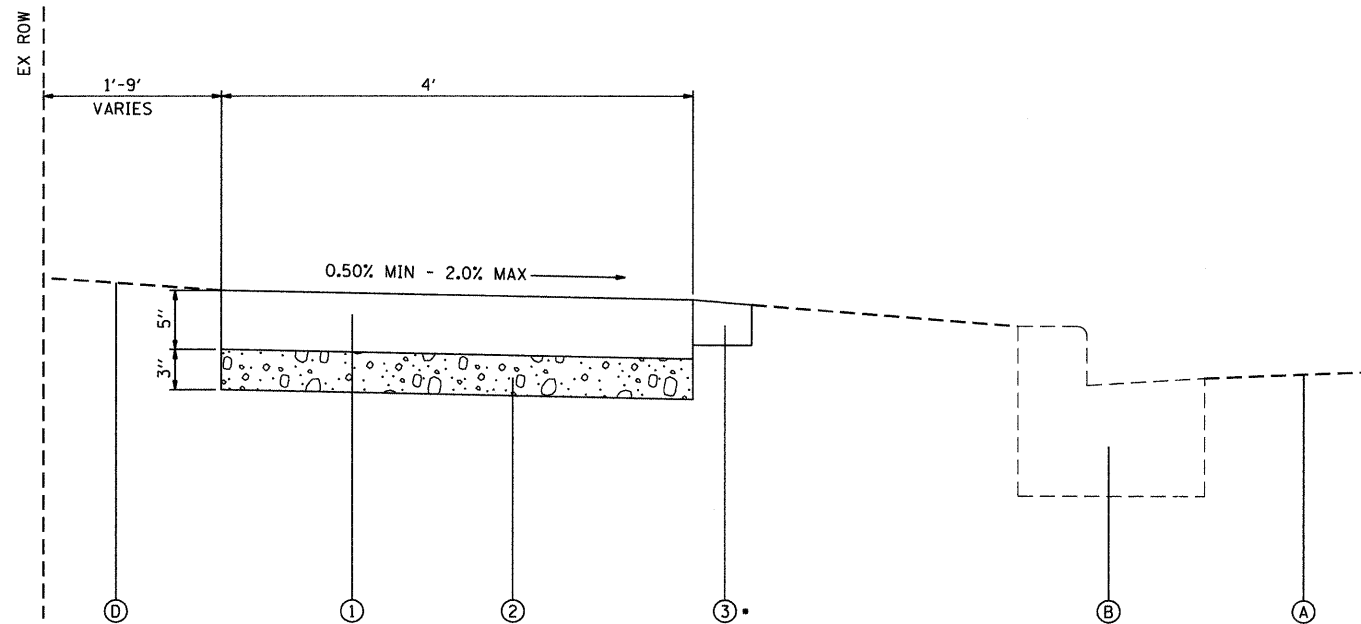


**EXISTING TYPICAL SECTION**

**EXISTING LEGEND**

- (A) EXISTING HOT-MIX ASPHALT PAVEMENT; 4"±
- (B) EXISTING CONCRETE CURB AND GUTTER
- (C) REMOVAL AND DISPOSAL OF UNSUITABLE MATERIAL
- (D) EXISTING GROUND



**PROPOSED TYPICAL SECTION**

**PROPOSED LEGEND**

- (1) PORTLAND CEMENT CONCRETE SIDEWALK 5 INCH, SPECIAL
- (2) SUB-BASE GRANULAR MATERIAL, TYPE B, 3 INCH (INCLUDED IN THE COST OF PORTLAND CEMENT CONCRETE SIDEWALK 5 INCH, SPECIAL)
- (3) SODDING, SALT TOLERANT (SPECIAL)

\*NOTE: SODDING, SALT TOLERANT (SPECIAL) WILL BE MEASURED FOR PAYMENT ONLY AT LOCATIONS WHERE SIDEWALK DID NOT PREVIOUSLY EXIST AND NEW SIDEWALK IS PROPOSED.

RESTORATION, WITH TOPSOIL 4 INCH AND SEEDING CLASS 2A, AT LOCATIONS OF SIDEWALK REMOVAL AND REPLACEMENT WILL NOT BE MEASURED FOR PAYMENT BUT INCLUDED IN THE COST OF PORTLAND CEMENT CONCRETE SIDEWALK 5 INCH, SPECIAL.



USER NAME = JStuzel	DESIGNED - JJS	REVISED -
PLOT SCALE = N.T.S.	DRAWN - JJS	REVISED -
PLOT DATE = 10/13/2011	CHECKED - JLP	REVISED -
	DATE -	REVISED -

**VILLAGE OF MUNDELEIN**

**SAFE ROUTES TO SCHOOL  
TYPICAL SECTIONS**

SCALE: N.T.S. SHEET NO. 1 OF 1 SHEETS STA. TO STA.

F.A.J. RTE.	SECTION	COUNTY	TOTAL SHEETS	SHEET NO.
NA	10-00094-00-SW	LAKE	10	4
CONTRACT NO.			63657	
ILLINOIS FED. AID PROJECT				