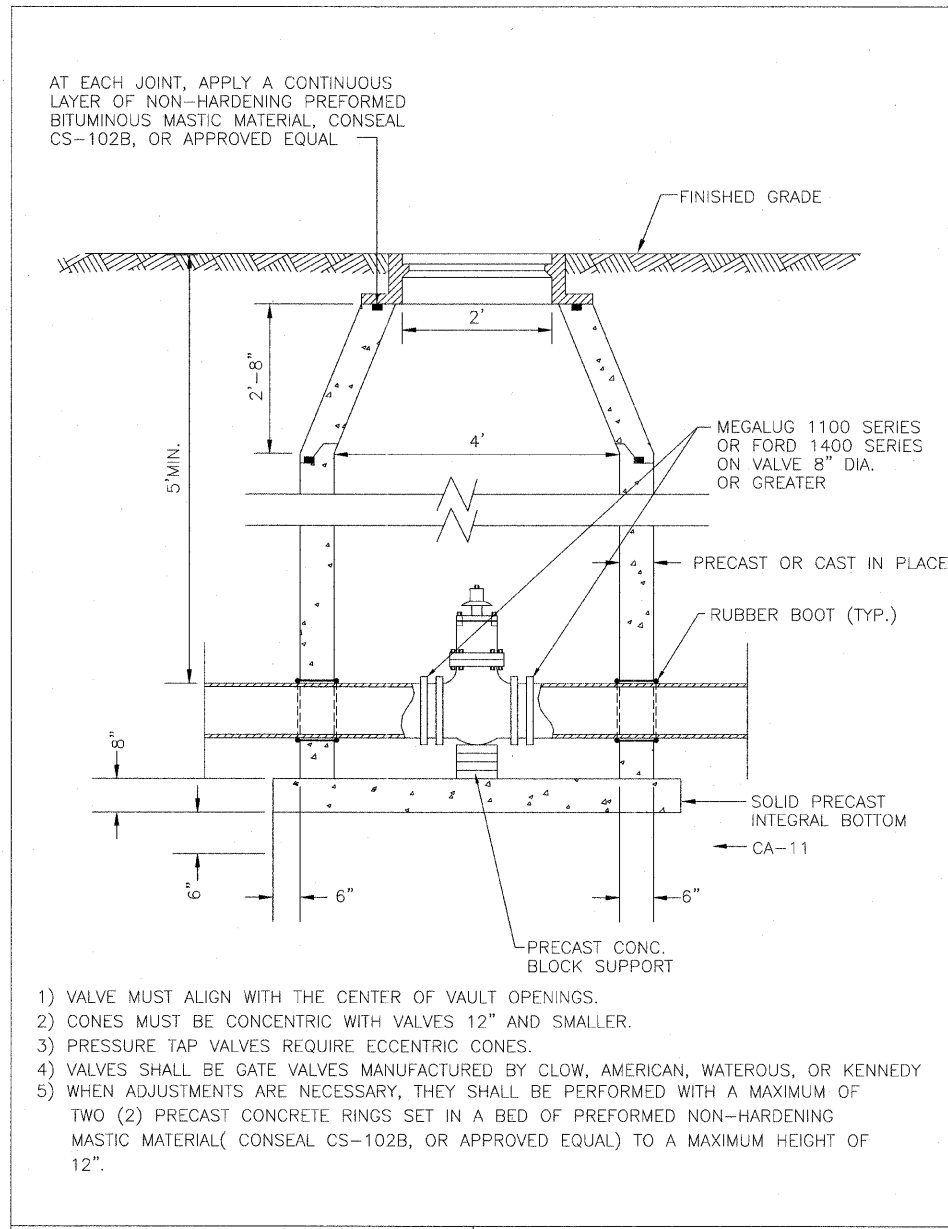


FILE NAME = D:\Naper\11b_25367951_Book\p\Drawings\General\Water\val\val-Detail.dgn



- 1) VALVE MUST ALIGN WITH THE CENTER OF VAULT OPENINGS.
- 2) CONES MUST BE CONCENTRIC WITH VALVES 12" AND SMALLER.
- 3) PRESSURE TAP VALVES REQUIRE ECCENTRIC CONES.
- 4) VALVES SHALL BE GATE VALVES MANUFACTURED BY CLOW, AMERICAN, WATEROUS, OR KENNEDY
- 5) WHEN ADJUSTMENTS ARE NECESSARY, THEY SHALL BE PERFORMED WITH A MAXIMUM OF TWO (2) PRECAST CONCRETE RINGS SET IN A BED OF PREFORMED NON-HARDENING MASTIC MATERIAL(CONSEAL CS-102B, OR APPROVED EQUAL) TO A MAXIMUM HEIGHT OF 12".

Title:		CITY OF NAPERVILLE STANDARD DETAIL	
Approved By:	DATE: 12/2005	REV:	Detail: WATER 4
	SCALE: NTS		

NOTE 5 IS ALSO APPLICABLE TO ALL DRAINAGE AND UTILITIES STRUCTURES TO BE ADJUSTED.



USER NAME = *USER*	DESIGNED - EVI	REVISED -
	DRAWN - KJB	REVISED
PLOT SCALE = 1.0000 "/ IN.	CHECKED - DAK	REVISED -
PLOT DATE = 10/11/2011 3:30:48 PM	DATE - 10/24/2011	REVISED -

STATE OF ILLINOIS
DEPARTMENT OF TRANSPORTATION

VALVE VAULT DETAIL

SCALE: 1" = ft SHEET NO. OF SHEETS STA. — TO STA. —

F.A.U. RTE.	SECTION	COUNTY	TOTAL SHEETS	SHEET NO.
0082	11-00149-00-RS	WILL	30	30
FED. ROAD DIST. NO. 1 ILLINOIS FED. AID PROJECT			CONTRACT NO. 63659	