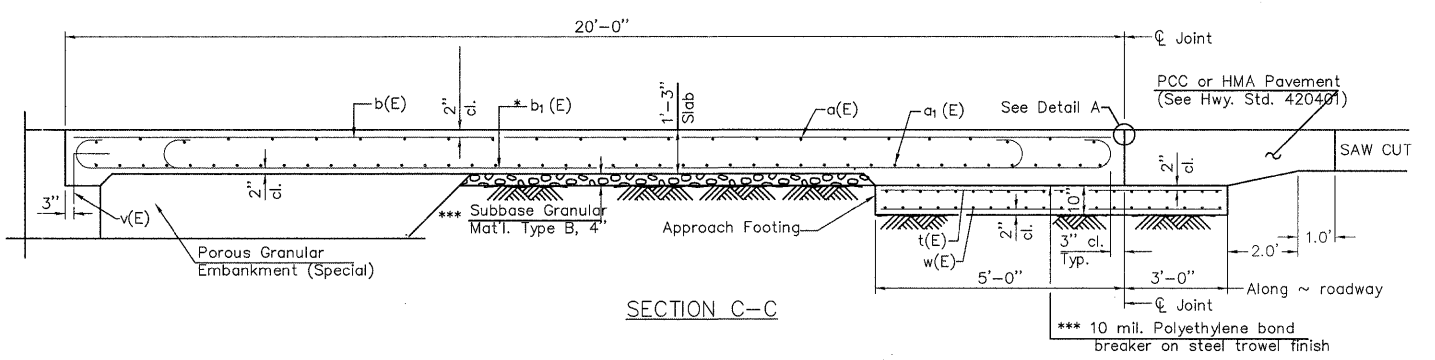
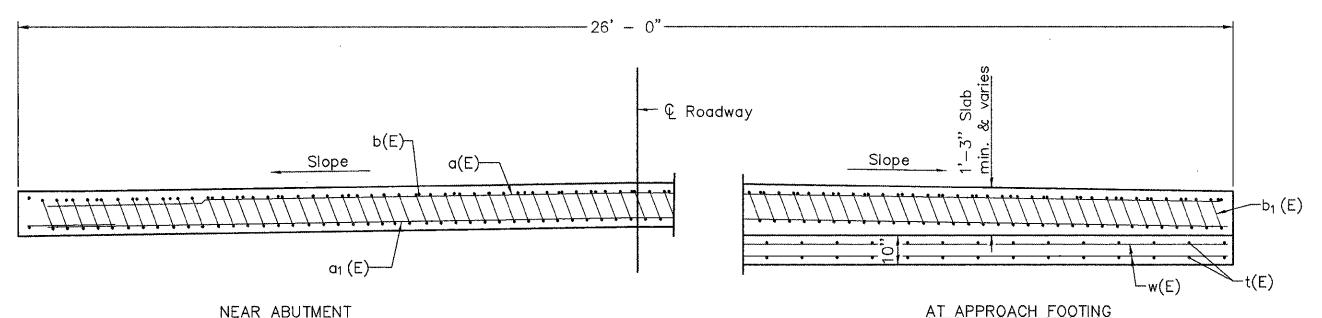


PLAN

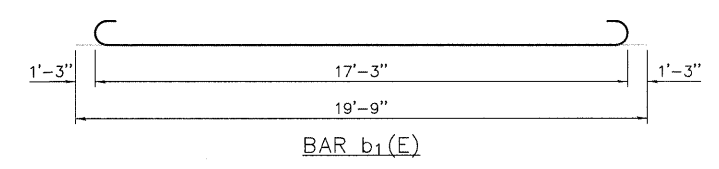
\* Tilt #9 b<sub>1</sub>(E) bars as required to maintain clearance.  
 \*\* Space between a(E) bars, typ. ea. parapet.  
 \*\*\* Cost included in cost of Concrete Superstructure.



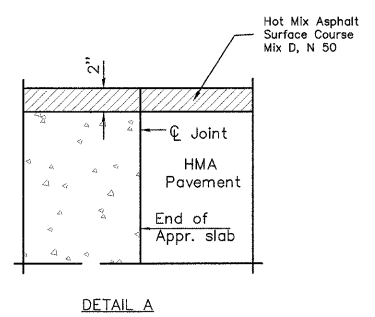
SECTION C-C



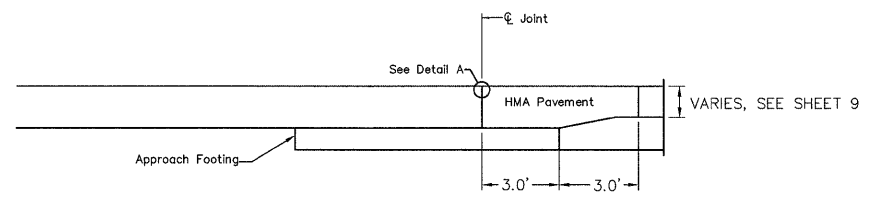
SECTION D-D  
 (See Plan for dimensions not shown)



Notes:  
 Approach slab shall be paid for as Concrete Superstructure.  
 Approach footing concrete shall be paid for as Concrete Structures.  
 Reinforcement shall be paid for as Reinforcement Bars, Epoxy Coated.  
 The approach footing maximum applied service bearing pressure (Q<sub>max</sub>) = 2.0 ksf.  
 Cost of excavation for approach footing included with Concrete Structures.  
 For Porous Granular Embankment (Special) and drainage treatment details, see sheet 13.



DETAIL A



BRIDGE APPROACH PAVEMENT CONNECTOR DETAIL

GENERAL NOTES:  
 1. SEE STANDARD 421001 FOR REINFORCEMENT DETAILS  
 2. SEE STANDARD 420001 FOR JOINT DETAILS  
 3. SEE PLANS FOR DETAILS OF BRIDGE APPROACH FOOTING AND PREFORMED JOINT.

BILL OF MATERIALS

BAR	NO.	SIZE	LENGTH	SHAPE	
a (E)	32	#4	25'-8"	—	
a1(E)	60	#5	25'-8"	—	
b (E)	42	#4	19'-8"	—	
b1(E)	124	#9	19'-9"	—	
t (E)	104	#4	7'-8"	—	
w (E)	64	#5	25'-8"	—	
CONCRETE STRUCTURES				CU. YD.	12.8
REINFORCEMENT BARS, EPOXY COATED				POUND	13,200
CONCRETE SUPERSTRUCTURE				CU. YD.	48.1