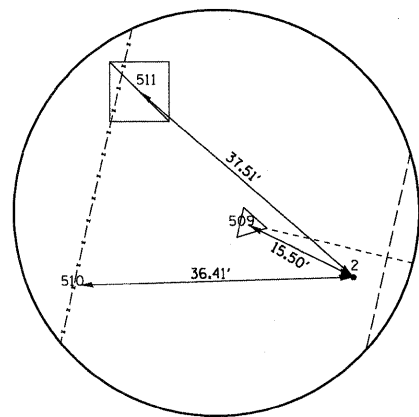
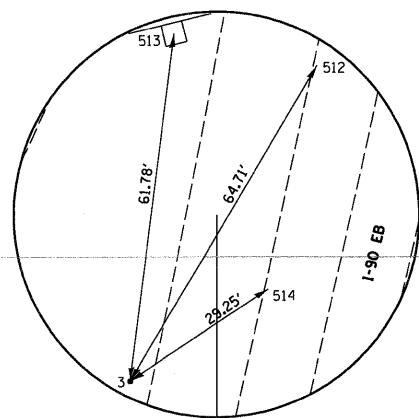


HORIZONTAL CONTROL POINT NO. 1
STA. 988+14.39

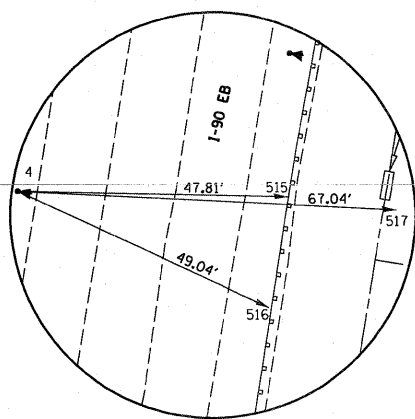


HORIZONTAL CONTROL POINT NO. 2
STA. 996+82.53

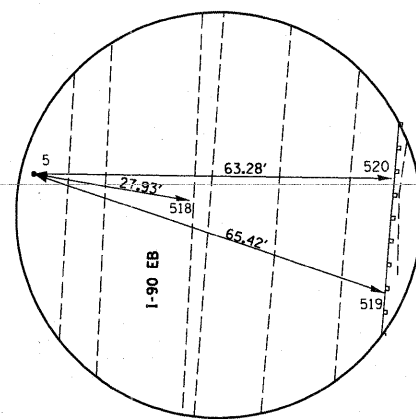


HORIZONTAL CONTROL POINT NO. 3
STA. 7+15.94

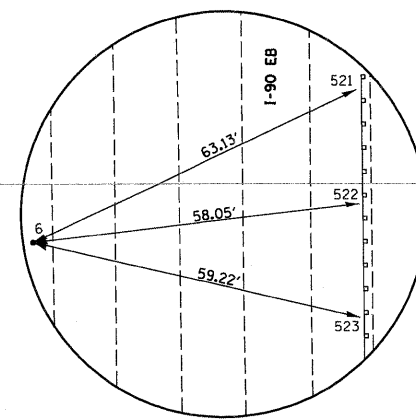
REFERENCE TIES						
POINT	NORTH	EAST	CHAIN	STATION	OFFSET	DESCRIPTION
500	2125417.1280	2613888.1270	FAI90	998+37.49	735.0079' LT	REBAR, CONCRETE
501	2125416.5690	2613814.9830	FAI90	998+53.89	663.7247' LT	REBAR, CONCRETE
502	2111142.1504	2612253.2341	FAI90	143+18.28 R 2	495.01' RT	815 GUARDRAIL STEEL PLATE BEAM, END
503	2111222.1359	2613112.7862	FAI90	142+51.68 R 2	365.6868' LT	815 GUARDRAIL STEEL PLATE BEAM, END
504	2111149.5880	2613075.1406	FAI90	143+23.39 R 2	326.9143' LT	SIGN FOUNDATION, SIGN FOUNDATION
505	2111073.3581	2613174.1059	FAI90	144+01.12 R 2	424.7047' LT	POWER POLE, POWER POLE
506	2126527.2111	2613380.1061	FAI90	988+63.94	1.5909' RT	HEADWALL, HEADWALL
507	2126577.5762	2613317.0650	FAI90	988+28.44	74.0516' RT	GUARDRAIL STEEL PLATE BEAM, GUARDRAIL STEEL PLATE BEAM
508	2126609.6070	2613300.4870	FAI90	988+00.77	97.1794' RT	SIGN, SIGN
509	2125750.7893	2613117.0278	FAI90	996+78.93	90.0884' RT	RCP, RCP
510	2125742.9867	2613094.5743	FAI90	996+91.42	110.3163' RT	FENCE POST, FENCE POST
511	2125768.5565	2613102.6025	FAI90	996+64.72	108.0225' RT	HANDHOLE, HANDHOLE
512	2124789.4041	2612946.4483	FAI90	6+54.43 R 2	48.1879' RT	PAVEMENT STATION NUMBER, PAVEMENT STATION NUMBER
513	2124795.0217	2612921.1864	FAI90	6+54.43 R 2	74.0669' RT	SIGN, SIGN
514	2124749.9389	2612937.8237	FAI90	6+94.83 R 2	48.0516' RT	SIGN
515	2123569.9548	2612729.7462	FAI90	18+91.28 R 2	17.0135' RT	GUARDRAIL STEEL PLATE BEAM, GUARDRAIL STEEL PLATE BEAM
516	2123550.2135	2612726.3827	FAI90	19+11.28 R 2	17.2209' RT	GUARDRAIL STEEL PLATE BEAM, GUARDRAIL STEEL PLATE BEAM
517	2123567.5640	2612748.9048	FAI90	18+90.60 R 2	2.2818' LT	HEADWALL, HEADWALL
518	2122542.0054	2612572.9989	FAI90	29+27.87 R 2	52.6731' RT	HEADWALL, PAINTED
519	2122525.5383	2612607.3598	FAI90	29+41.70 R 2	17.1843' RT	GUARDRAIL STEEL PLATE BEAM, GUARDRAIL STEEL PLATE BEAM
520	2122545.8871	2612608.7426	FAI90	29+21.34 R 2	17.3218' RT	GUARDRAIL STEEL PLATE BEAM, GUARDRAIL STEEL PLATE BEAM
521	2121331.8757	2612576.9557	FAI90	41+34.70 R 2	16.9286' RT	GUARDRAIL STEEL PLATE BEAM, GUARDRAIL STEEL PLATE BEAM
522	2121311.7375	2612577.5486	FAI90	41+54.84 R 2	16.6184' RT	GUARDRAIL STEEL PLATE BEAM, GUARDRAIL STEEL PLATE BEAM
523	2121291.6225	2612577.6301	FAI90	41+74.96 R 2	16.8192' RT	GUARDRAIL STEEL PLATE BEAM, GUARDRAIL STEEL PLATE BEAM
524	2120181.1768	2612545.3221	FAI90	52+84.84 R 2	64.709' RT	SIGN, SIGN
525	2120199.7543	2612529.1170	FAI90	52+66.04 R 2	80.6518' RT	SIGN, SIGN
526	2120349.9538	2612486.3206	FAI90	51+15.25 R 2	121.3359' RT	FLARED END SECTION, FLARED END SECTION
527	2119026.6127	2612561.5755	FAI90	64+39.52 R 2	64.6614' RT	FENCE POST, FENCE POST
528	2119038.4265	2612491.4273	FAI90	64+26.72 R 2	134.6369' RT	LIGHT POLE, LIGHT POLE
529	2119078.6313	2612542.9989	FAI90	63+87.25 R 2	82.5061' RT	SIGN, SIGN
530	2117781.6268	2612588.7538	FAI90	76+84.76 R 2	54.959' RT	SIGN, SIGN
531	2117741.5948	2612590.1017	FAI90	77+24.81 R 2	54.1731' RT	SIGN, SIGN
532	2117660.9951	2612578.6769	FAI90	78+05.24 R 2	66.728' RT	FENCE POST, FENCE POST
533	2116721.5727	2612575.4294	FAI90	87+44.37 R 2	83.8779' RT	SIGN, SIGN
534	2116733.2334	2612534.3745	FAI90	87+32.05 R 2	124.7415' RT	R.O.W. MARKER, R.O.W. MARKER



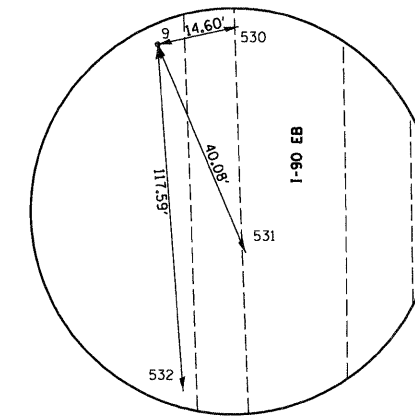
HORIZONTAL CONTROL POINT NO. 4
STA. 18+97.84



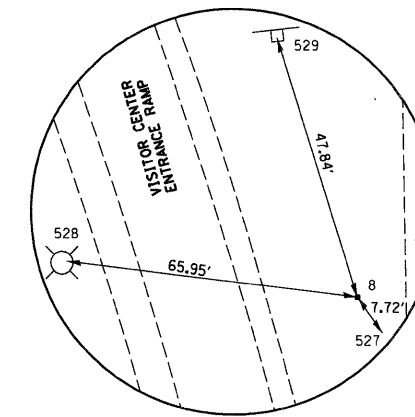
HORIZONTAL CONTROL POINT NO. 5
STA. 29+25.24



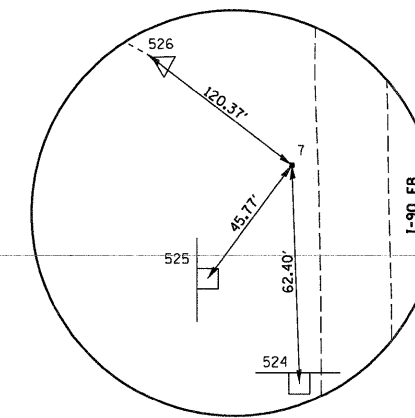
HORIZONTAL CONTROL POINT NO. 6
STA. 41+60.92



HORIZONTAL CONTROL POINT NO. 9
STA. 76+87.68



HORIZONTAL CONTROL POINT NO. 8
STA. 64+33.14



HORIZONTAL CONTROL POINT NO. 7
STA. 52+22.47