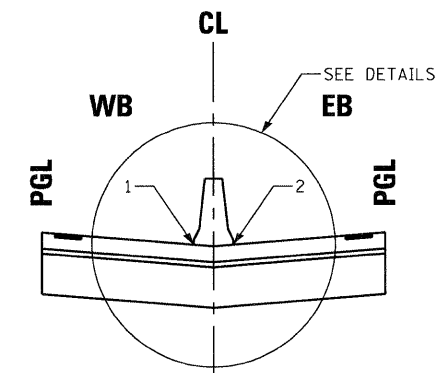


MAINLINE MEDIAN BARRIER			
I-90 STATION	ELEVATIONS		APPLICABLE DETAIL
	1	2	
0+00.00	802.21	801.98	SPECIAL DETAIL
1+00.00	801.68	801.68	STANDARD DETAIL
2+00.00	801.30	801.30	STANDARD DETAIL
3+00.00	800.92	800.92	STANDARD DETAIL
4+00.00	800.54	800.54	STANDARD DETAIL
5+00.00	800.16	800.16	STANDARD DETAIL
6+00.00	799.78	799.78	STANDARD DETAIL
7+00.00	799.40	799.40	STANDARD DETAIL
8+00.00	799.02	799.02	STANDARD DETAIL
9+00.00	798.64	798.64	STANDARD DETAIL
10+00.00	798.26	798.26	STANDARD DETAIL
11+00.00	797.88	797.88	STANDARD DETAIL
12+00.00	797.50	797.50	STANDARD DETAIL
13+00.00	797.12	797.12	STANDARD DETAIL
14+00.00	796.74	796.74	STANDARD DETAIL
15+00.00	796.36	796.36	STANDARD DETAIL
16+00.00	795.98	795.98	STANDARD DETAIL
17+00.00	795.60	795.60	STANDARD DETAIL
18+00.00	795.22	795.22	STANDARD DETAIL
19+00.00	794.84	794.84	STANDARD DETAIL
20+00.00	794.46	794.46	STANDARD DETAIL
21+00.00	794.08	794.08	STANDARD DETAIL
22+00.00	793.70	793.70	STANDARD DETAIL
23+00.00	793.32	793.32	STANDARD DETAIL
24+00.00	792.94	792.94	STANDARD DETAIL
25+00.00	792.56	792.56	STANDARD DETAIL
26+00.00	792.18	792.18	STANDARD DETAIL
27+00.00	791.80	791.80	STANDARD DETAIL
28+00.00	791.42	791.42	STANDARD DETAIL
29+00.00	791.04	791.04	STANDARD DETAIL
30+00.00	790.66	790.66	STANDARD DETAIL
31+00.00	790.28	790.28	STANDARD DETAIL
32+00.00	789.90	789.90	STANDARD DETAIL
33+00.00	789.52	789.52	STANDARD DETAIL
34+00.00	789.14	789.14	STANDARD DETAIL
35+00.00	788.76	788.76	STANDARD DETAIL
36+00.00	788.38	788.38	STANDARD DETAIL
37+00.00	788.00	788.00	STANDARD DETAIL
38+00.00	787.62	787.62	STANDARD DETAIL
39+00.00	787.24	787.24	STANDARD DETAIL
40+00.00	786.86	786.86	STANDARD DETAIL
41+00.00	786.48	786.48	STANDARD DETAIL
42+00.00	786.10	786.10	STANDARD DETAIL
43+00.00	785.72	785.72	STANDARD DETAIL
44+00.00	785.34	785.34	STANDARD DETAIL
45+00.00	784.96	784.96	STANDARD DETAIL
46+00.00	784.58	784.58	STANDARD DETAIL
47+00.00	784.20	784.20	STANDARD DETAIL
48+00.00	783.82	783.82	STANDARD DETAIL
49+00.00	783.44	783.44	STANDARD DETAIL
50+00.00	783.06	783.06	STANDARD DETAIL
51+00.00	782.68	782.68	STANDARD DETAIL
52+00.00	782.30	782.30	STANDARD DETAIL
53+00.00	781.92	781.92	STANDARD DETAIL
54+00.00	781.54	781.54	STANDARD DETAIL
55+00.00	781.16	781.16	STANDARD DETAIL
56+00.00	780.78	780.78	STANDARD DETAIL
57+00.00	780.40	780.40	STANDARD DETAIL
58+00.00	780.02	780.02	STANDARD DETAIL
59+00.00	779.64	779.64	STANDARD DETAIL
60+00.00	779.26	779.26	STANDARD DETAIL
61+00.00	778.88	778.88	STANDARD DETAIL
62+00.00	778.50	778.50	STANDARD DETAIL
63+00.00	778.12	778.12	STANDARD DETAIL
64+00.00	777.74	777.74	STANDARD DETAIL
65+00.00	777.36	777.36	STANDARD DETAIL
66+00.00	776.98	776.98	STANDARD DETAIL
67+00.00	776.60	776.60	STANDARD DETAIL
68+00.00	776.22	776.22	STANDARD DETAIL
69+00.00	775.84	775.84	STANDARD DETAIL
70+00.00	775.46	775.46	STANDARD DETAIL
71+00.00	775.08	775.08	STANDARD DETAIL
72+00.00	774.70	774.70	STANDARD DETAIL
73+00.00	774.32	774.32	STANDARD DETAIL
74+00.00	773.94	773.94	STANDARD DETAIL
75+00.00	773.56	773.56	STANDARD DETAIL
76+00.00	773.18	773.18	STANDARD DETAIL
77+00.00	772.80	772.80	STANDARD DETAIL
78+00.00	772.42	772.42	STANDARD DETAIL
79+00.00	772.04	772.04	STANDARD DETAIL
80+00.00	771.66	771.66	STANDARD DETAIL
81+00.00	771.28	771.28	STANDARD DETAIL
82+00.00	770.90	770.90	STANDARD DETAIL
83+00.00	770.52	770.52	STANDARD DETAIL
84+00.00	770.14	770.14	STANDARD DETAIL
85+00.00	769.76	769.76	STANDARD DETAIL
86+00.00	769.38	769.38	STANDARD DETAIL
87+00.00	769.00	769.00	STANDARD DETAIL
88+00.00	768.62	768.62	STANDARD DETAIL
89+00.00	768.24	768.24	STANDARD DETAIL
90+00.00	767.86	767.86	STANDARD DETAIL

MAINLINE MEDIAN BARRIER			
I-90 STATION	ELEVATIONS		APPLICABLE DETAIL
	1 WB	2 EB	
91+00.00	777.91	777.91	STANDARD DETAIL
92+00.00	777.58	777.58	SPECIAL DETAIL
93+00.00	777.58	777.58	SPECIAL DETAIL
94+00.00	777.89	777.89	STANDARD DETAIL
95+00.00	778.20	778.20	STANDARD DETAIL
96+00.00	778.51	778.51	STANDARD DETAIL
97+00.00	778.82	778.82	STANDARD DETAIL
98+00.00	779.13	779.13	STANDARD DETAIL
99+00.00	779.44	779.44	STANDARD DETAIL
100+00.00	779.75	779.75	STANDARD DETAIL
101+00.00	780.06	780.06	STANDARD DETAIL
102+00.00	780.37	780.37	STANDARD DETAIL
103+00.00	780.68	780.68	STANDARD DETAIL
104+00.00	780.99	780.99	STANDARD DETAIL
105+00.00	781.30	781.30	STANDARD DETAIL
106+00.00	781.61	781.61	STANDARD DETAIL
107+00.00	781.92	781.92	STANDARD DETAIL
108+00.00	782.23	782.23	STANDARD DETAIL
109+00.00	782.54	782.54	STANDARD DETAIL
110+00.00	782.85	782.85	STANDARD DETAIL
111+00.00	783.16	783.16	STANDARD DETAIL
112+00.00	783.47	783.47	STANDARD DETAIL
113+00.00	783.78	783.78	STANDARD DETAIL
114+00.00	784.09	784.09	STANDARD DETAIL
115+00.00	784.40	784.40	STANDARD DETAIL
116+00.00	784.71	784.71	STANDARD DETAIL
117+00.00	785.02	785.02	STANDARD DETAIL
118+00.00	785.33	785.33	STANDARD DETAIL
119+00.00	785.64	785.64	STANDARD DETAIL
120+00.00	785.99	785.89	SPECIAL DETAIL
121+00.00	785.93	785.92	SPECIAL DETAIL
122+00.00	785.60	785.58	SPECIAL DETAIL
123+00.00	785.30	785.26	SPECIAL DETAIL
124+00.00	785.00	784.95	SPECIAL DETAIL
125+00.00	784.71	784.64	SPECIAL DETAIL
126+00.00	784.41	784.32	SPECIAL DETAIL
127+00.00	784.11	784.01	SPECIAL DETAIL
128+00.00	783.81	783.69	SPECIAL DETAIL
129+00.00	783.51	783.38	SPECIAL DETAIL
130+00.00	783.21	783.07	SPECIAL DETAIL
131+00.00	782.92	782.75	SPECIAL DETAIL
132+00.00	782.62	782.44	SPECIAL DETAIL
133+00.00	782.32	782.13	SPECIAL DETAIL
134+00.00	782.02	781.81	SPECIAL DETAIL
135+00.00			



ELEVATION LOCATION DETAIL
N.T.S.

- NOTES:
- SEE STANDARD DETAILS AND PROJECT DETAILS FOR ADDITIONAL INFORMATION



USER NAME = _USERNAME_
 FILE NAME = *FILE*
 PLOT SCALE = 100.0000' / IN.
 PLOT DATE = 10/19/2011

DESIGNED -
 DRAWN - BSL
 CHECKED - PDS
 DATE - 10-21-2011

REVISED -
 REVISED -
 REVISED -
 REVISED -

STATE OF ILLINOIS
 DEPARTMENT OF TRANSPORTATION

ROADWAY DETAILS, MEDIAN BARRIER ELEVATIONS AND OFFSET

SCALE: N/A SHEET NO. OF SHEETS STA. TO STA.

F.A. RTE. 90	SECTION (X2-1) R	COUNTY WINNEBAGO	TOTAL SHEETS 510	SHEET NO. 116
CONTRACT NO. 64C29				
ILLINOIS FED. AID PROJECT				