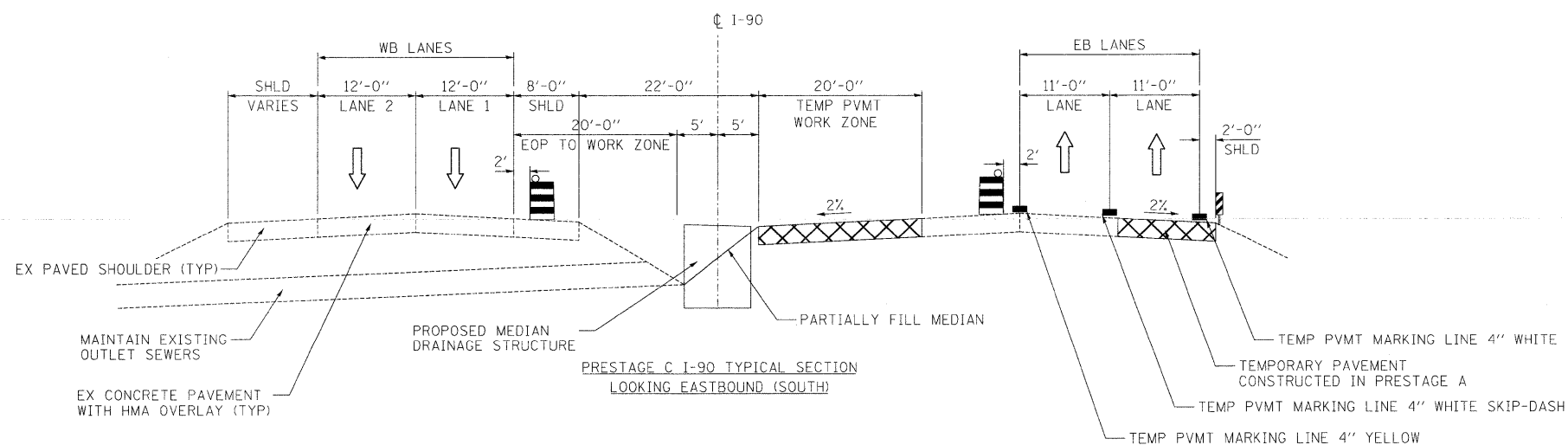
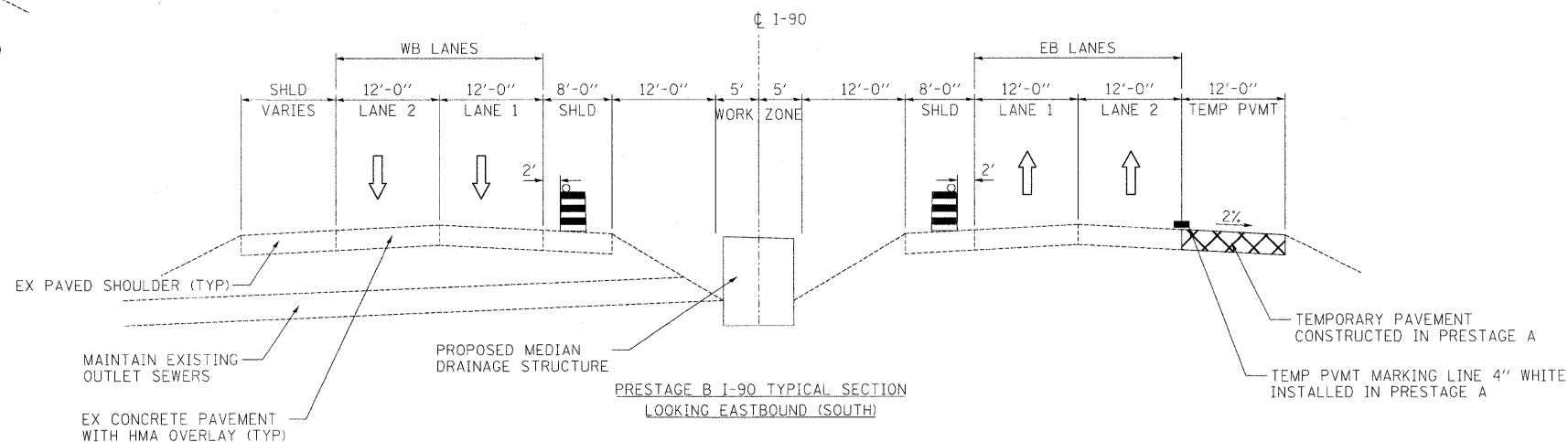
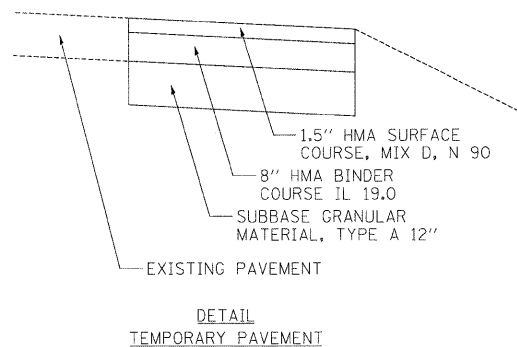
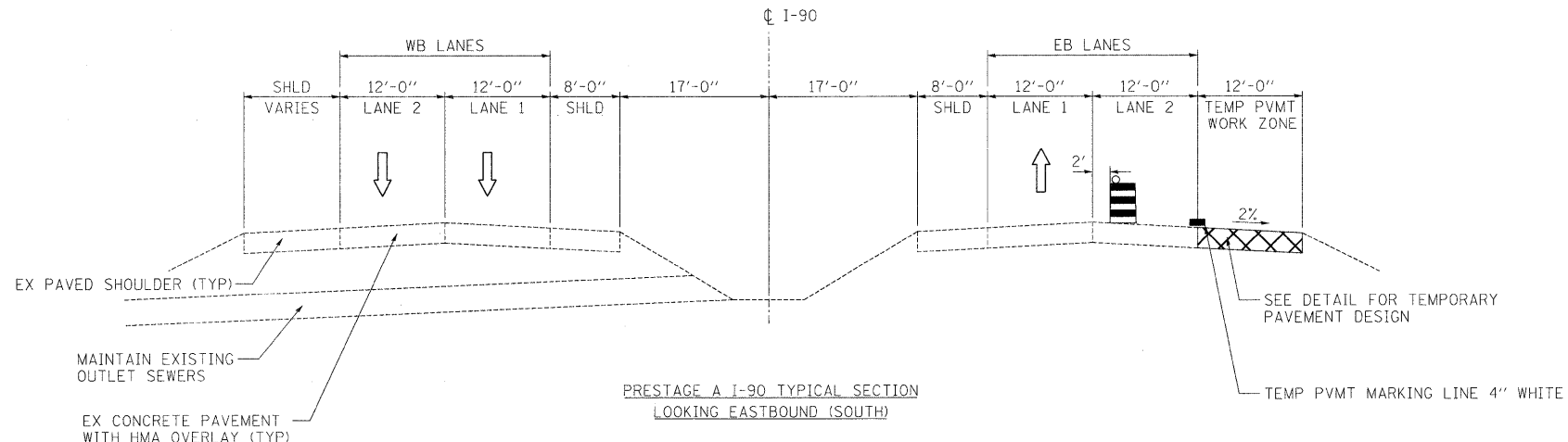


SEE MOT GENERAL NOTES
FOR STAGING DESCRIPTION
AND SEQUENCE OF CONSTRUCTION



- LEGEND**
- TRAFFIC LANE
 - DRUM WITH STEADY BURNING LIGHT
 - TEMPORARY CONCRETE BARRIER
 - PROPOSED PAVEMENT/SHOULDER
 - TEMPORARY PAVEMENT - SEE DETAIL



USER NAME = .USERNAME.
 PLOT SCALE = 100.0000' / IN.
 PLOT DATE = 10/19/2011

DESIGNED - ECS
 DRAWN - ECS
 CHECKED - AM
 DATE - 10/14/2011

REVISED -
 REVISED -
 REVISED -
 REVISED -

**STATE OF ILLINOIS
 DEPARTMENT OF TRANSPORTATION**

**MAINTENANCE OF TRAFFIC
 TYPICAL SECTIONS I-90**

SCALE: NTS SHEET NO. OF SHEETS STA. TO STA.

F.A.I. RTE.	SECTION	COUNTY	TOTAL SHEETS	SHEET NO.
90	(X2-1)R	WINNEBAGO	510	119
CONTRACT NO. 64C29				
ILLINOIS FED. AID PROJECT				