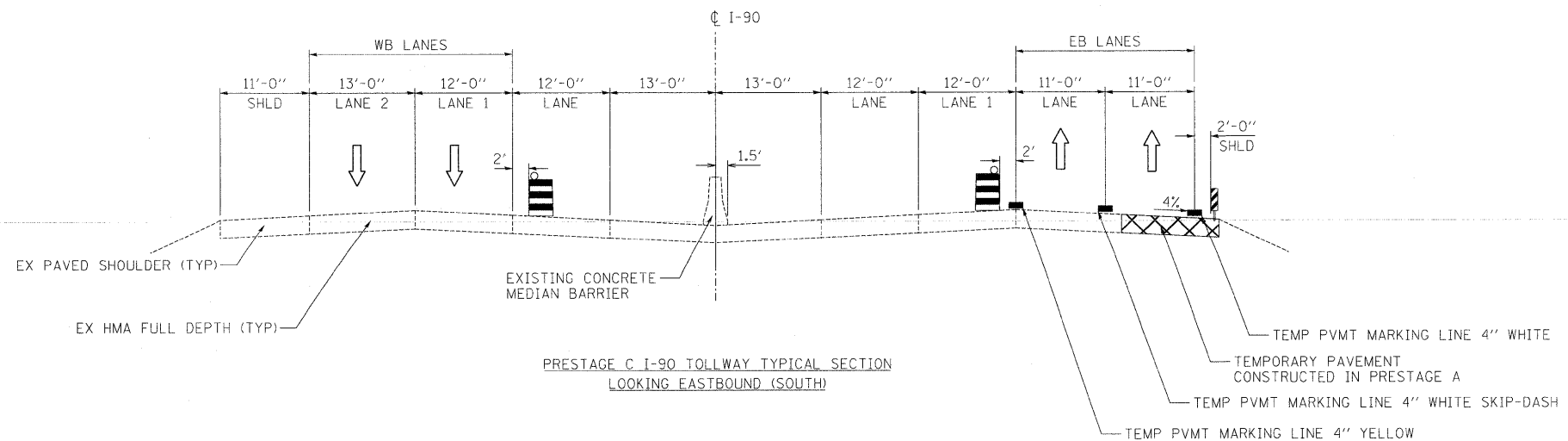
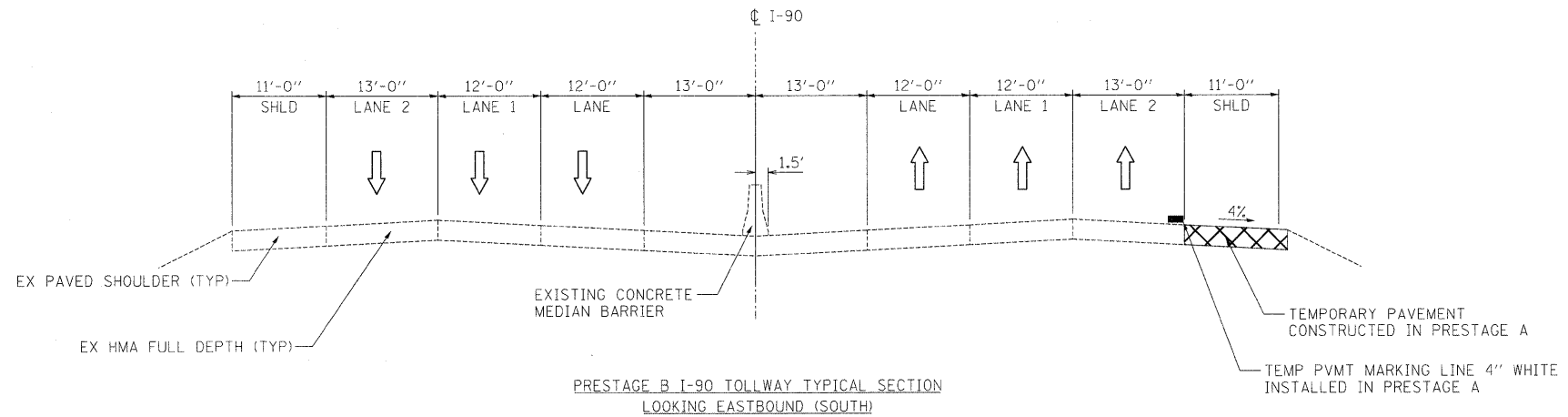
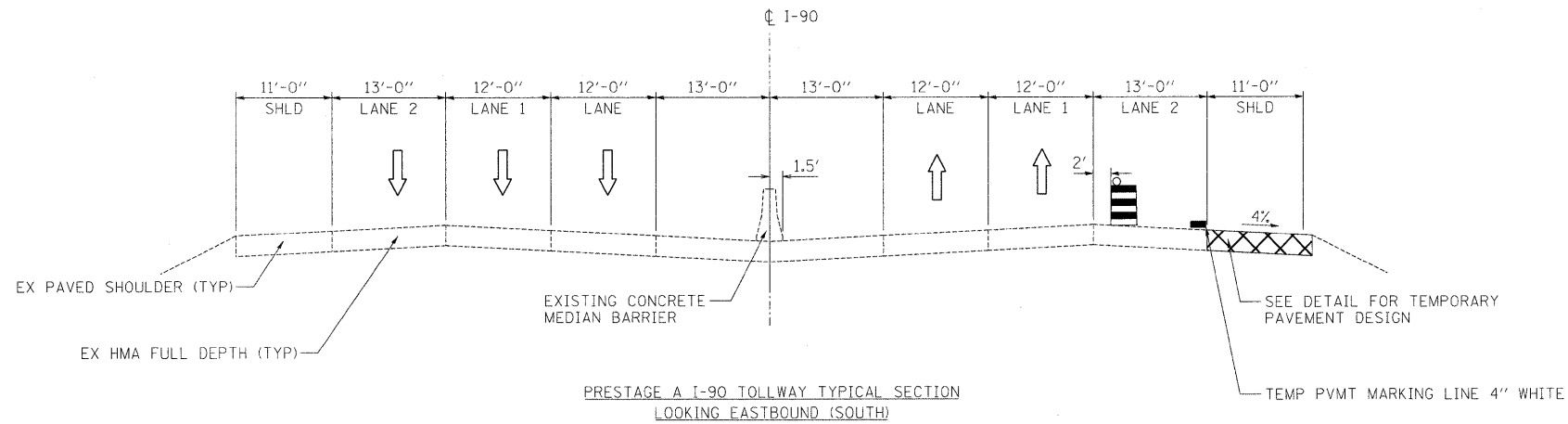


SEE MOT GENERAL NOTES
FOR STAGING DESCRIPTION
AND SEQUENCE OF CONSTRUCTION



- LEGEND**
- TRAFFIC LANE
 - DRUM WITH STEADY BURNING LIGHT
 - TEMPORARY CONCRETE BARRIER
 - PROPOSED PAVEMENT/SHOULDER
 - TEMPORARY PAVEMENT - SEE DETAIL



USER NAME = .USERNAME.	DESIGNED - ECS	REVISED -
PLOT SCALE = 100.0000' / IN.	DRAWN - ECS	REVISED -
PLOT DATE = 10/19/2011	CHECKED - AM	REVISED -
	DATE - 10/14/2011	REVISED -

**STATE OF ILLINOIS
DEPARTMENT OF TRANSPORTATION**

**MAINTENANCE OF TRAFFIC
TYPICAL SECTIONS I-90**

SCALE: NTS SHEET NO. OF SHEETS STA. TO STA.

F.A.I. RTE: 90	SECTION (X2-1R)	COUNTY WINNEBAGO	TOTAL SHEETS 510	SHEET NO. 120
CONTRACT NO. 64C29				
ILLINOIS FED. AID PROJECT				