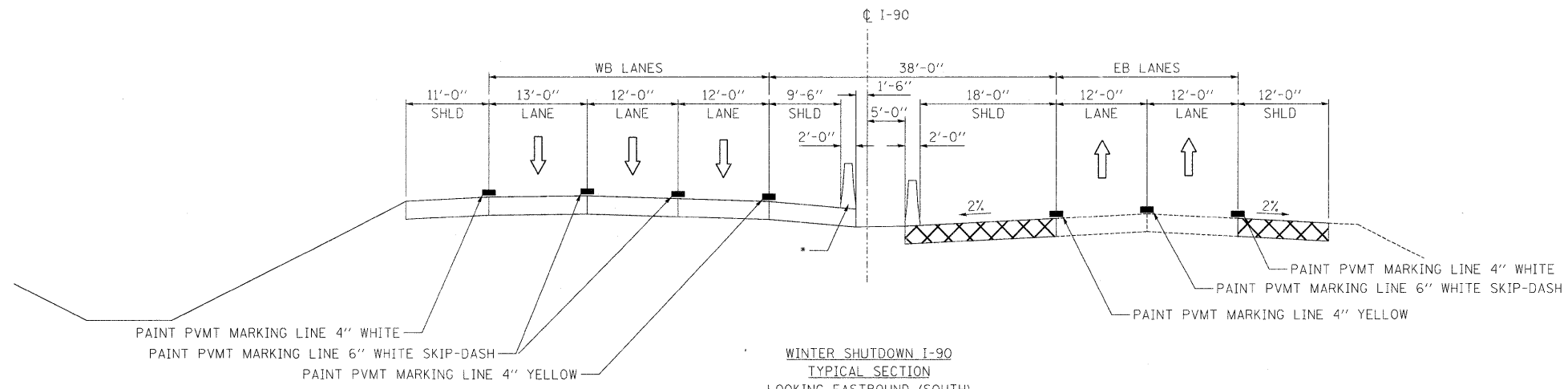
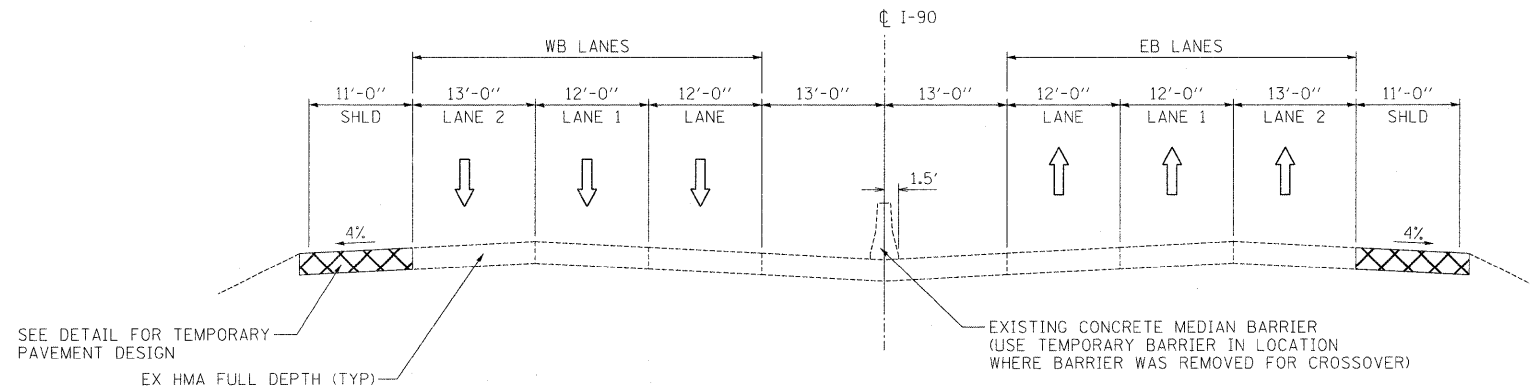


SEE MOT GENERAL NOTES FOR STAGING DESCRIPTION AND SEQUENCE OF CONSTRUCTION



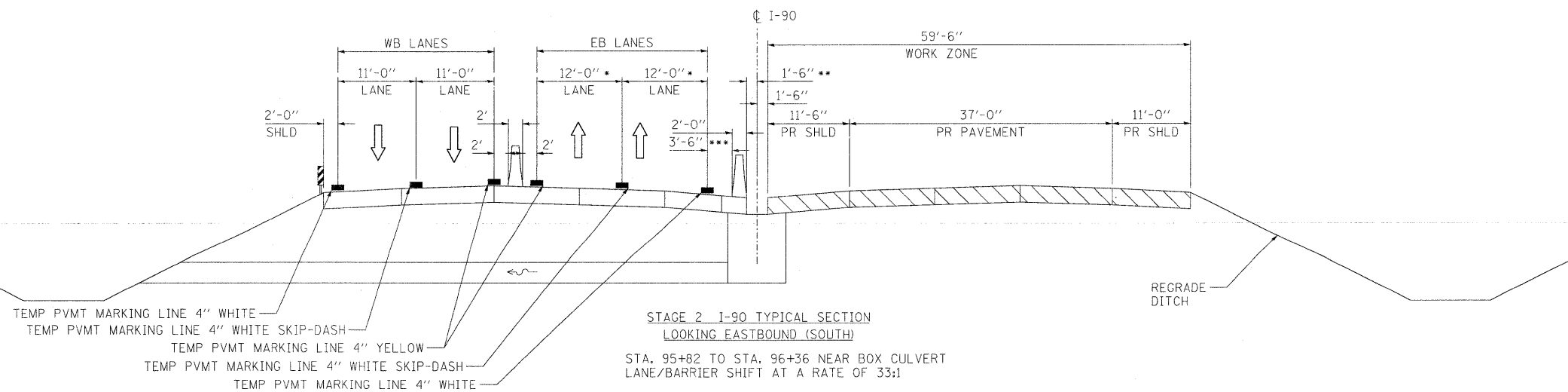
WINTER SHUTDOWN I-90
TYPICAL SECTION
LOOKING EASTBOUND (SOUTH)

• INSTALL TEMP CONCRETE BARRIER AND TEMP IMPACT ATTENUATORS AT LOCATION DETERMINED BY THE ENGINEER
TEMP CONCRETE BARRIER TO BE USED AT SAME LOCATION IN STAGE 2



WINTER SHUTDOWN TOLLWAY
TYPICAL SECTION
LOOKING EASTBOUND (SOUTH)

- LEGEND**
- TRAFFIC LANE
 - DRUM WITH STEADY BURNING LIGHT
 - TEMPORARY CONCRETE BARRIER
 - PROPOSED PAVEMENT/SHOULDER
 - TEMPORARY PAVEMENT - SEE DETAIL ON PREVIOUS SHEET



STAGE 2 I-90 TYPICAL SECTION
LOOKING EASTBOUND (SOUTH)

STA. 95+82 TO STA. 96+36 NEAR BOX CULVERT
LANE/BARRIER SHIFT AT A RATE OF 33:1

- 11'
- 5'
- 2'



USER NAME = .USERNAME.	DESIGNED - ECS	REVISED -
PLLOT SCALE = 100,0000' / IN.	DRAWN - ECS	REVISED -
PLLOT DATE = 10/19/2011	CHECKED - AM	REVISED -
	DATE - 10/14/2011	REVISED -

STATE OF ILLINOIS
DEPARTMENT OF TRANSPORTATION

MAINTENANCE OF TRAFFIC
TYPICAL SECTIONS I-90

SCALE: NTS SHEET NO. OF SHEETS STA. TO STA.

F.A.I. RTE.	SECTION	COUNTY	TOTAL SHEETS	SHEET NO.
90	(X2-1)R	WINNEBAGO	510	122
CONTRACT NO. 64C29				
ILLINOIS FED. AID PROJECT				