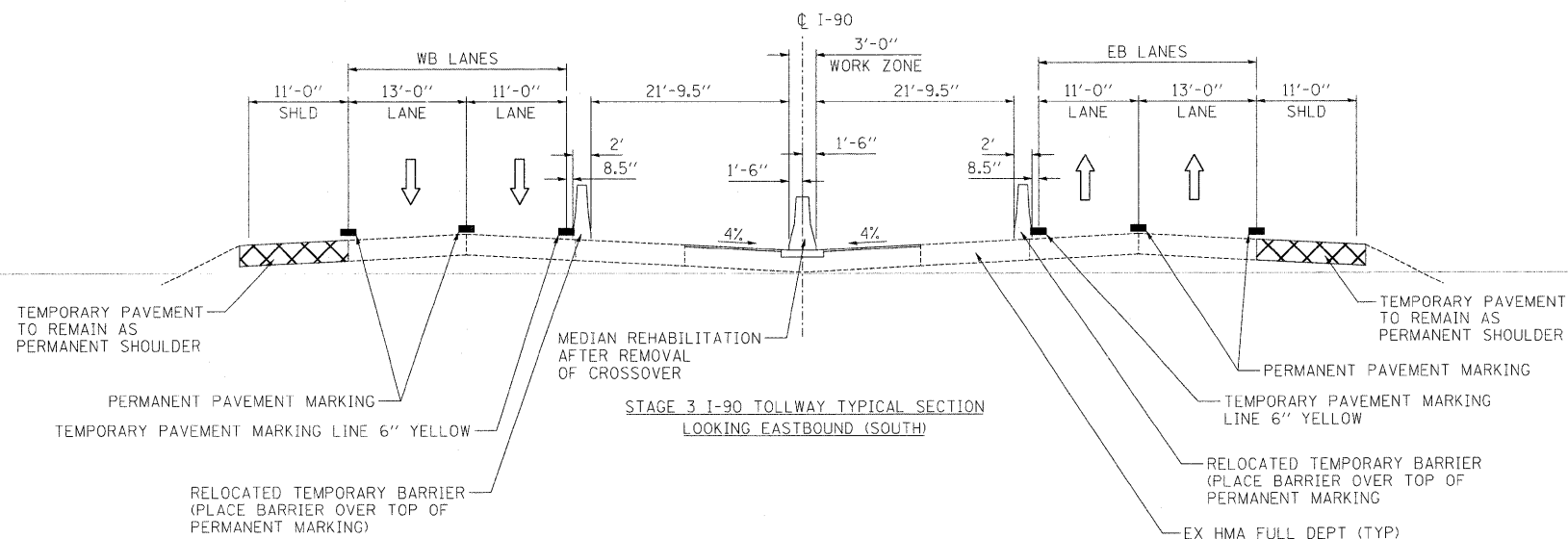
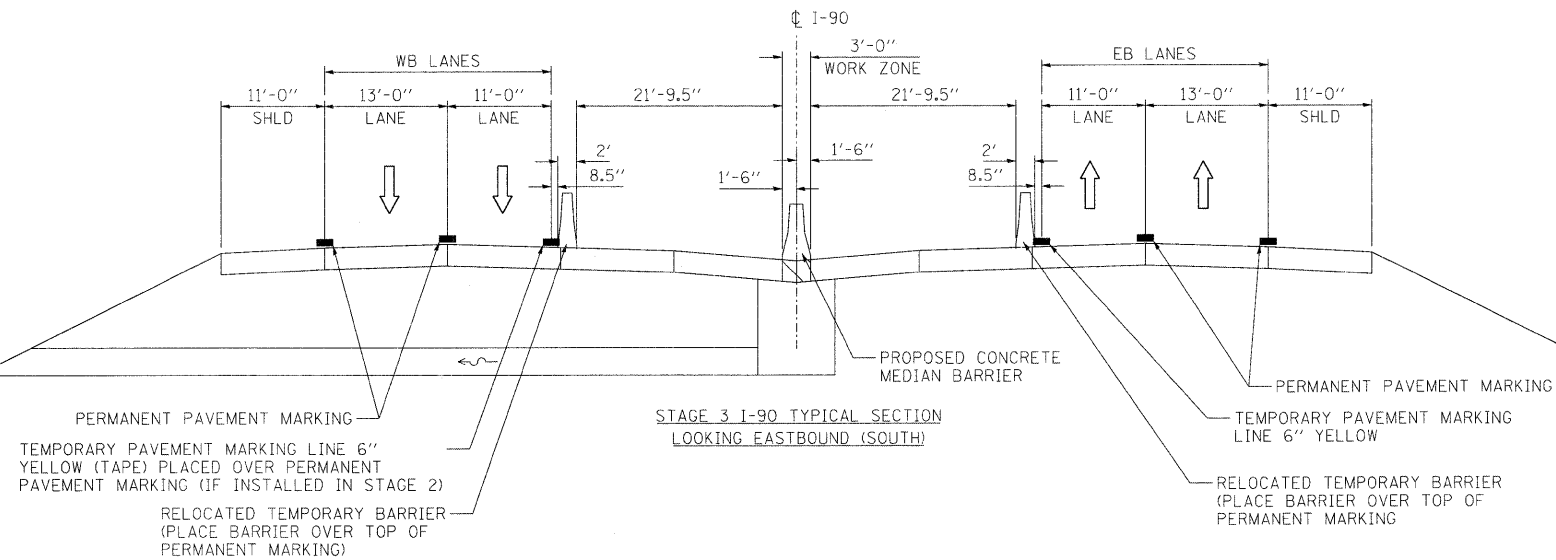
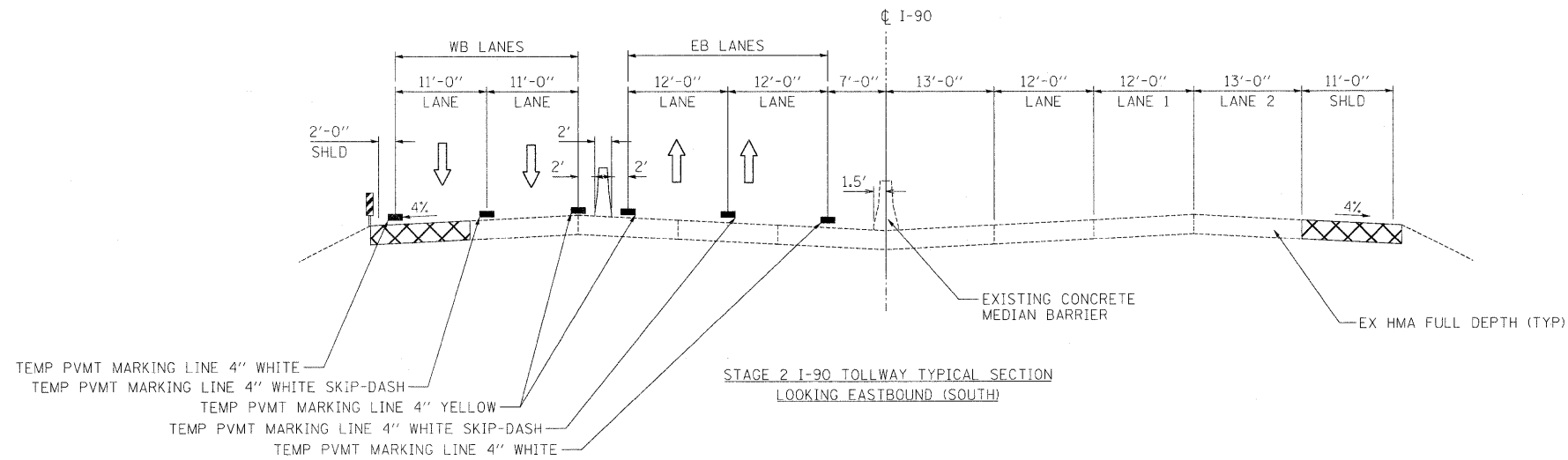


SEE MOT GENERAL NOTES  
FOR STAGING DESCRIPTION  
AND SEQUENCE OF CONSTRUCTION



- LEGEND**
- TRAFFIC LANE
  - DRUM WITH STEADY BURNING LIGHT
  - TEMPORARY CONCRETE BARRIER
  - PROPOSED PAVEMENT/SHOULDER
  - TEMPORARY PAVEMENT - SEE DETAIL ON PREVIOUS SHEET



USER NAME = .USERNAME.	DESIGNED - ECS	REVISED -
PLOT SCALE = 100.0000' / IN.	DRAWN - ECS	REVISED -
PLOT DATE = 10/19/2011	CHECKED - AM	REVISED -
	DATE - 10/14/2011	REVISED -

**STATE OF ILLINOIS  
DEPARTMENT OF TRANSPORTATION**

**MAINTENANCE OF TRAFFIC  
TYPICAL SECTIONS I-90**

SCALE: NTS SHEET NO. OF SHEETS STA. TO STA.

F.A.I. RTE.	SECTION	COUNTY	TOTAL SHEETS	SHEET NO.
90	(X2-1)R	WINNEBAGO	510	123
CONTRACT NO. 64C29				
ILLINOIS FED. AID PROJECT				