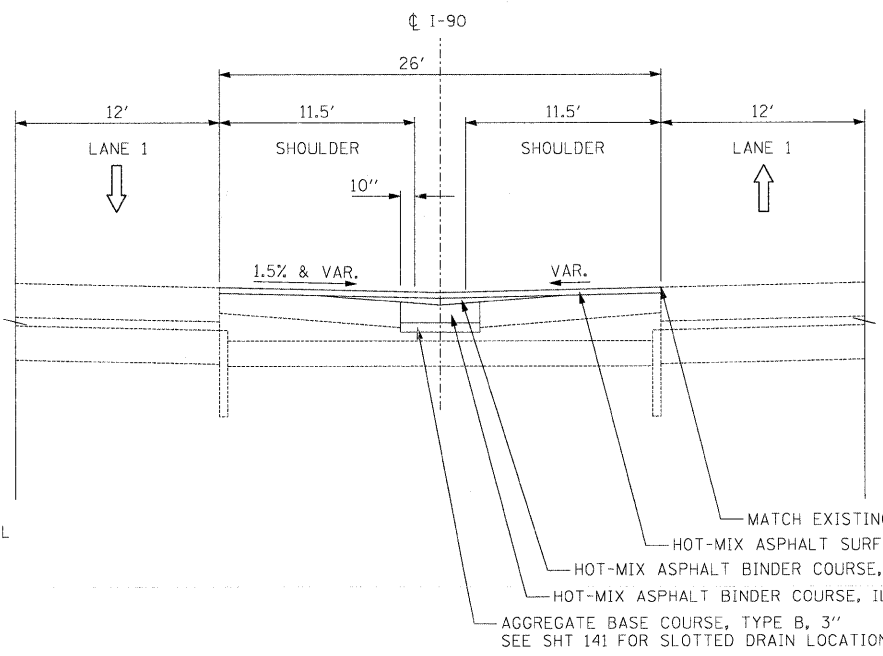
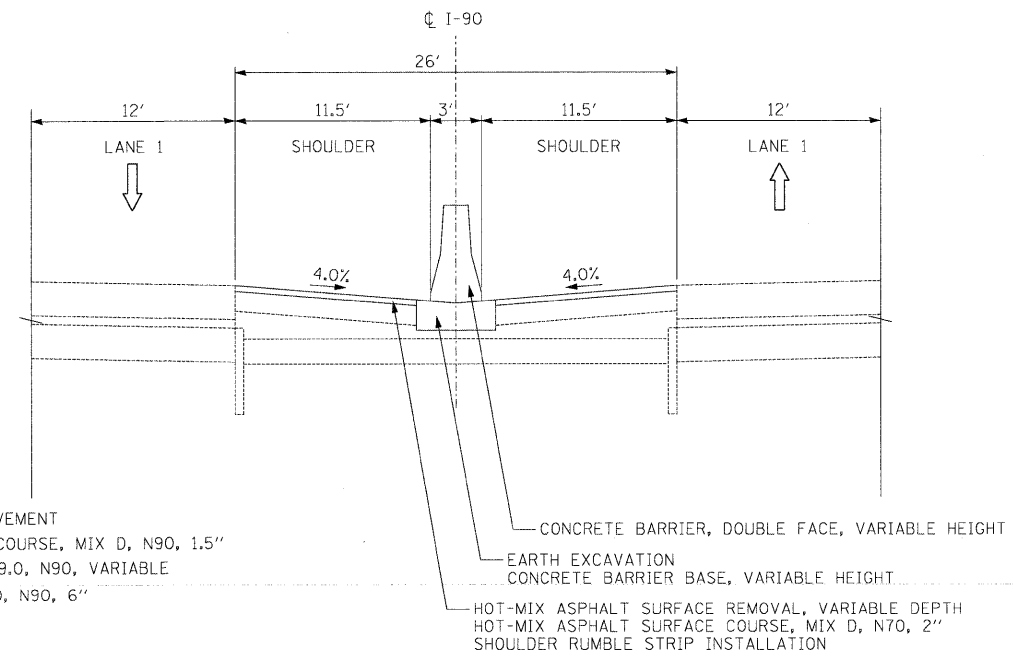


EXISTING MEDIAN CROSSOVER TYPICAL SECTION  
STA. 143+19.24 TO STA. 148+74.81



TYPICAL SECTION DURING CROSSOVER  
STA. 143+19.24 TO STA. 148+74.81



FINAL CONDITION TYPICAL SECTION  
STA. 143+19.24 TO STA. 148+74.81