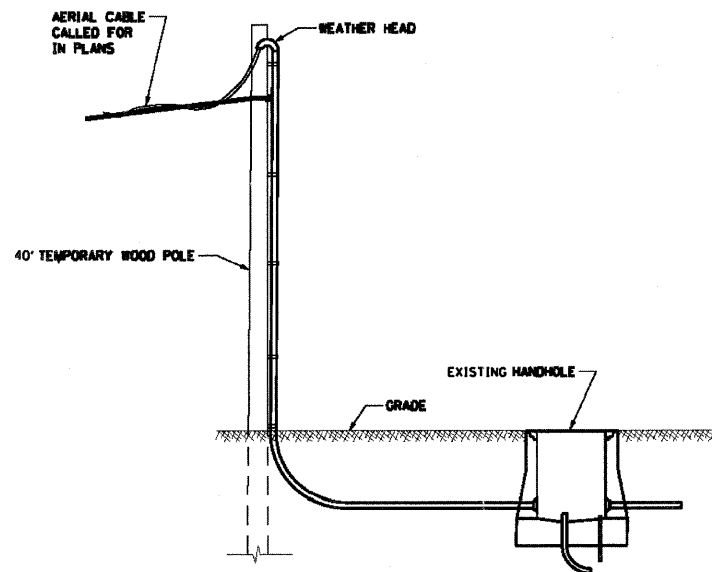
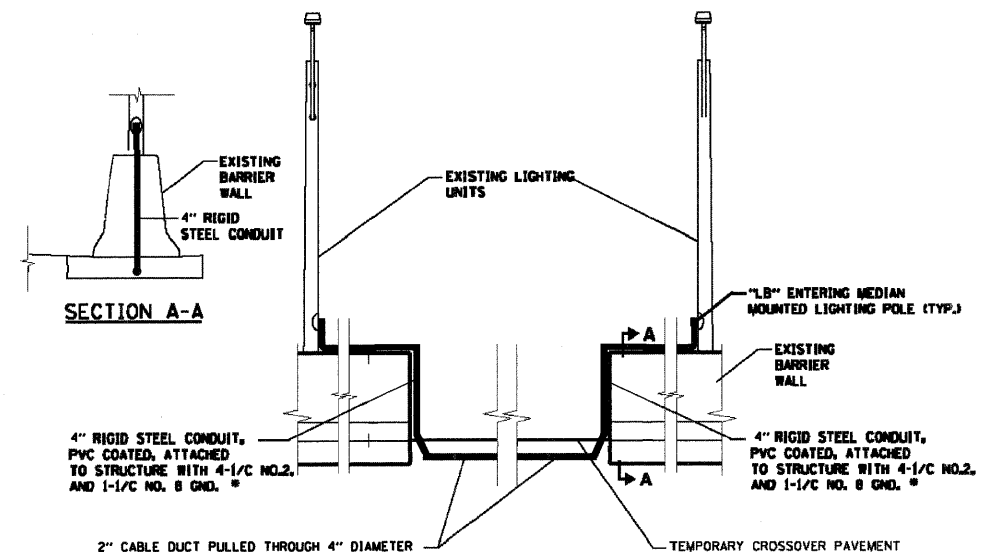


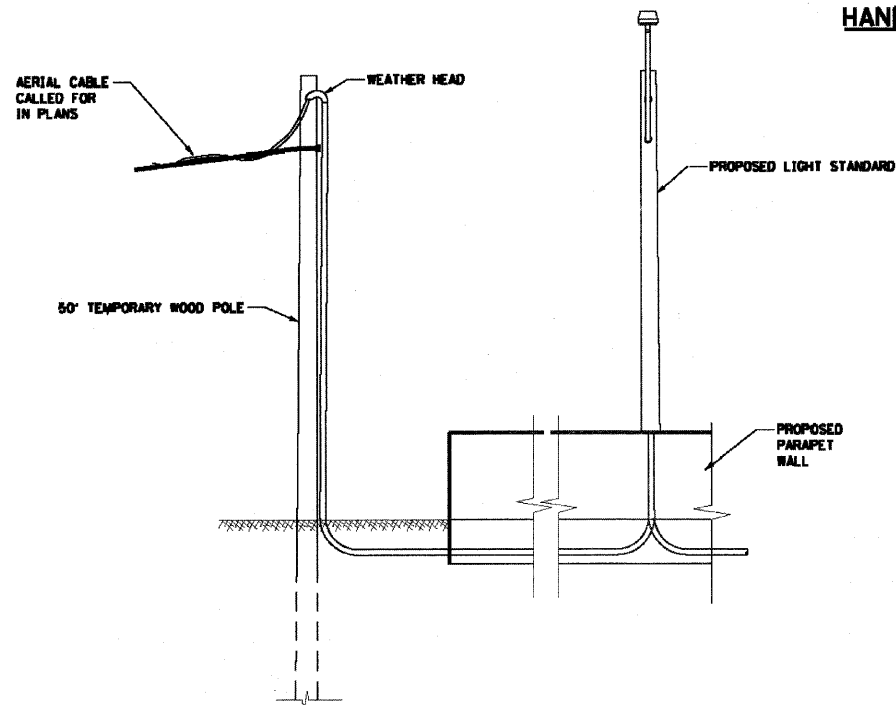
DETAIL 1 □
**TEMPORARY POWER FEED
 TO ALUMINUM POLE**
 NOT TO SCALE



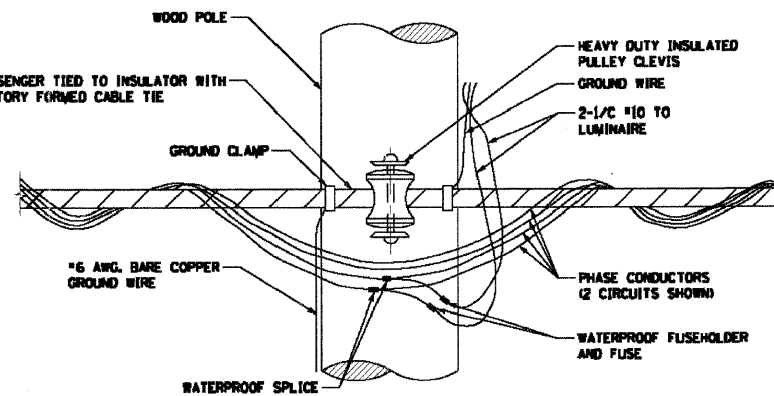
DETAIL 2 ☒
**PROPOSED TEMPORARY POLE/
 HAND HOLE CONNECTION**
 NOT TO SCALE



DETAIL 5 ☒
**PROPOSED TEMPORARY CABLE DUCT
 CONNECTION AT
 TEMPORARY CROSSOVER**
 * INCLUDED IN THE COST OF
 "MAINTAIN LIGHTING SYSTEM"



DETAIL 3 □
**PROPOSED TEMPORARY POLE CONNECTION
 TO BARRIER WALL**
 NOT TO SCALE



DETAIL 4 ☒
**TEMPORARY LIGHT POLE
 CABLE ATTACHMENT DETAIL**
 NOT TO SCALE
FOR TEMPORARY CABLE AND ATTACHMENT

- 4-1/2 #2 CONDUCTORS WITH STEEL MESSENGERS FOR GROUNDING CONDUCTOR
- 2-PHASE CONDUCTORS WITH WATER PROOF FUSE HOLDER AND FUSE PER CIRCUIT