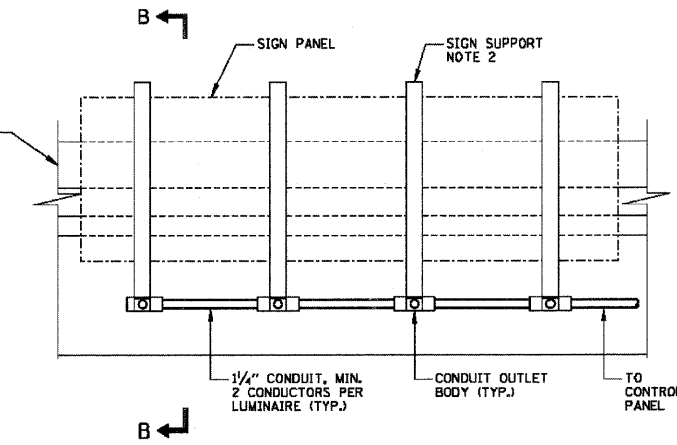


TYPICAL FRONT ELEVATION WITH FLASHING BEACON

LUMINAIRES NOT SHOWN
NO SCALE

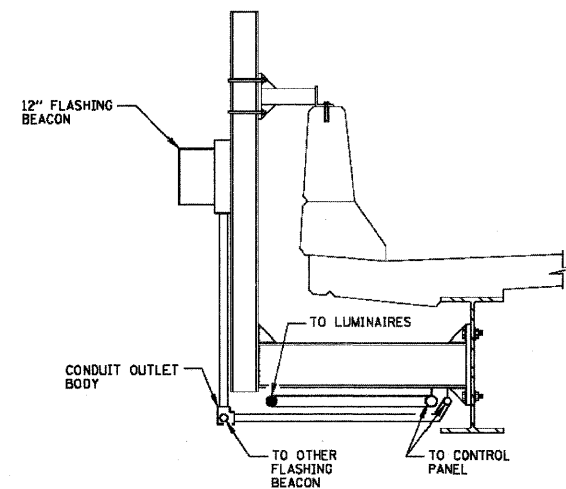


TYPICAL FRONT ELEVATION WITHOUT FLASHING BEACON

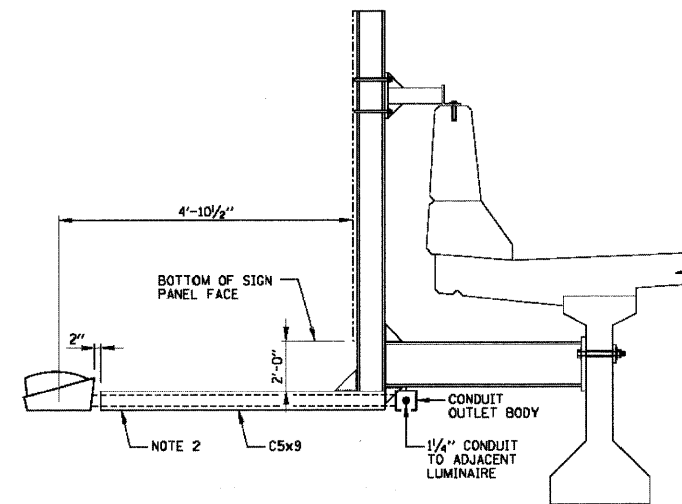
LUMINAIRES NOT SHOWN
NO SCALE

NOTES:

1. PROVIDE 12" FLASHING BEACON ONLY WHERE INDICATED ON PLANS.
2. SEE STRUCTURAL DRAWINGS FOR DETAILS OF SIGN SUPPORTS AND FIXTURE SUPPORT CHANNELS.
3. SEE STANDARD H14 (SIGN LUMINAIRE MOUNTING DETAIL AND WIRING DIAGRAMS) FOR INSTALLATION OF CONDUIT IN FIXTURE SUPPORT CHANNEL.
4. FLASHING BEACON TO BE ATTACHED TO SUPPORT WITH STAINLESS STEEL SCREWS AND NEOPRENE SPACERS. DRILLED SCREW HOLES TO BE SEALED WATERTIGHT.



SECTION A-A
STEEL BRIDGE SHOWN
NO SCALE



SECTION B-B
CONCRETE BRIDGE SHOWN
NO SCALE

SHEET 2 OF 2



DATE	REVISIONS

BRIDGE MOUNT SIGN
LIGHTING TYPICAL WIRING

STANDARD H10-00

APPROVED: *Jeff Haley*
CHIEF ENGINEER DATE 1-1-2007



USER NAME = .USERNAME.	DESIGNED - AM	REVISED -
PLOT SCALE = 10.0000' / IN.	DRAWN - ESC	REVISED -
PLOT DATE = 10/19/2011	CHECKED - AM	REVISED -
	DATE - 10/14/2011	REVISED -

STATE OF ILLINOIS
DEPARTMENT OF TRANSPORTATION

BRIDGE MOUNT SIGN LIGHTING TYPICAL WIRING 2

SCALE: NTS SHEET NO. OF SHEETS STA. TO STA.

F.A.I. RTE. 90	SECTION (X2-1)R	COUNTY WINNEBAGO	TOTAL SHEETS 510	SHEET NO. 290
ILLINOIS FED. AID PROJECT			CONTRACT NO. 64C29	