

LEGEND:

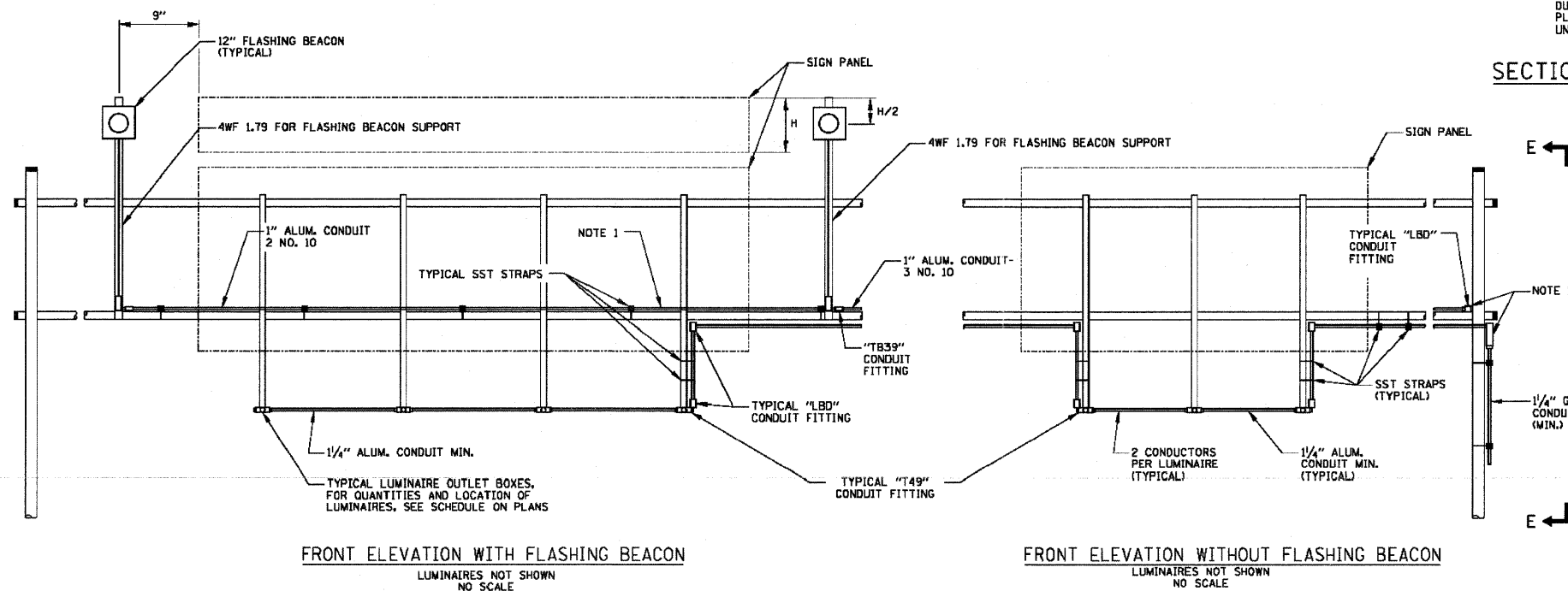
- ① WEATHERPROOF CANNISTER BALLAST (BALLAST SHALL BE MARKED TO IDENTIFY WHICH LUMINAIRE IT IS WIRED).
- ② SIGN LIGHTING SERVICE - CIRCUIT BREAKER (30 AMP/2 POLE) IN NEMA TYPE 4 C.I. ENCLOSURE, OZ TYPE "YW" WITH MOUNTING FEET OR APPROVED EQUAL.
- ③ 6"x6" HOT DIPPED GALVANIZED WEATHERPROOF WIREWAY (LENGTH TO SUIT).
- ④ FLASHING BEACON CONTROLLER.

NOTES:

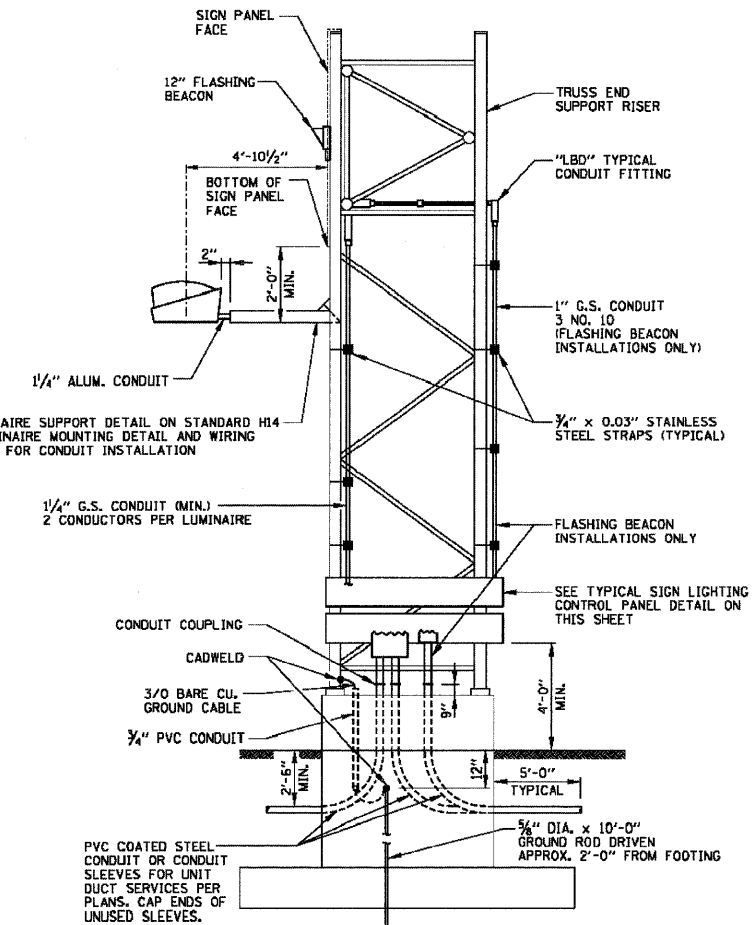
1. CONDUIT AND FITTINGS ATTACHED TO THE HORIZONTAL ALUMINUM SIGN TRUSS SHALL BE ALUMINUM. GALVANIZED STEEL CONDUIT AND CAST IRON ALLOY FITTINGS SHALL BE UTILIZED WHERE ATTACHED TO STEEL TRUSS END SUPPORT RISERS. THREADED JOINTS BETWEEN DISSIMILAR METALS SHALL BE COATED WITH AN APPROVED THREAD LUBRICANT.
2. PROVIDE 12" FLASHING BEACON ONLY WHERE INDICATED ON PLANS. FLASHING BEACON TO BE ATTACHED TO SUPPORT WITH STAINLESS STEEL SCREWS AND NEOPRENE SPACERS. DRILLED SCREW HOLES TO BE SEALED WATERTIGHT.
3. ALL EQUIPMENT SHALL BE GROUNDED IN ACCORDANCE WITH THE NATIONAL ELECTRICAL CODE AND THE NATIONAL ELECTRICAL SAFETY CODE.
4. ALL STEEL TO BE HOT DIPPED GALVANIZED AFTER WELDING PER THE STANDARD SPECIFICATIONS.
5. FOR DIMENSION "H" SEE CONTRACT PLANS.

TYPICAL SIGN LIGHTING CONTROL PANEL

FOR WIRING DIAGRAMS SEE STANDARD H14 (SIGN LUMINAIRE MOUNTING DETAIL AND WIRING DIAGRAMS) NO SCALE



TYPICAL SIGN PANEL ELEVATIONS
NO SCALE



SECTION E-E - FULL ELEVATION (OUTSIDE FOUNDATION)
NO SCALE

APPROVED *Jeff Daley* DATE 1-1-2007...



DATE	REVISIONS

OVERHEAD TRUSS SIGN LIGHTING WITHOUT CATWALK
TYPICAL WIRING DETAILS
STANDARD H11-00