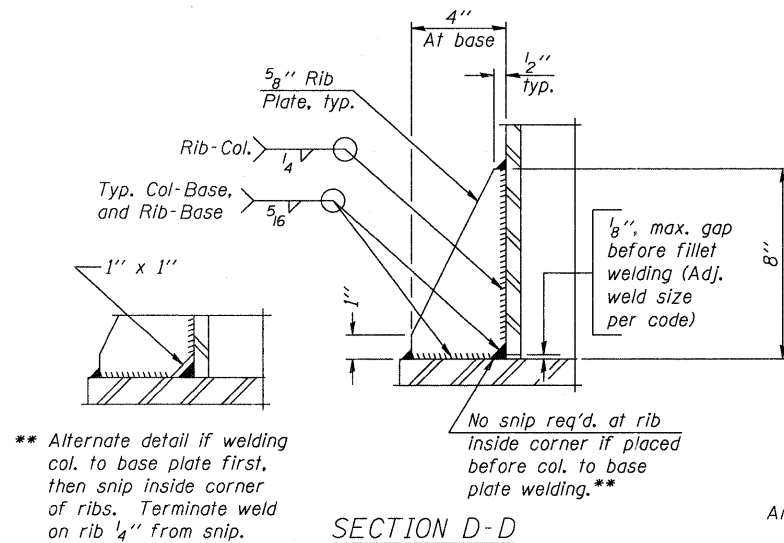
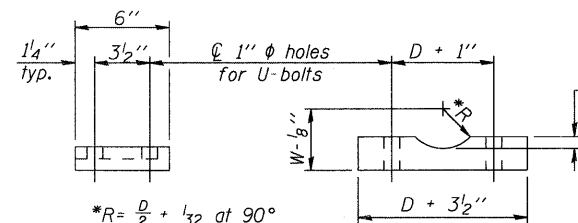


SECTION B-B



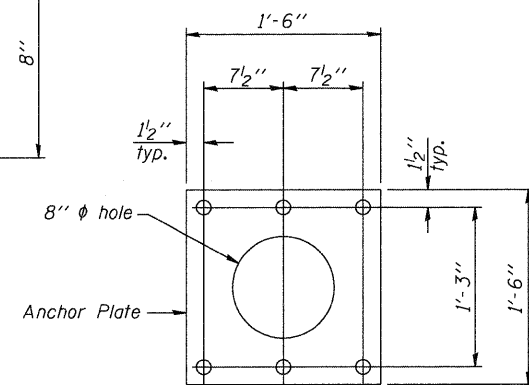
SECTION D-D



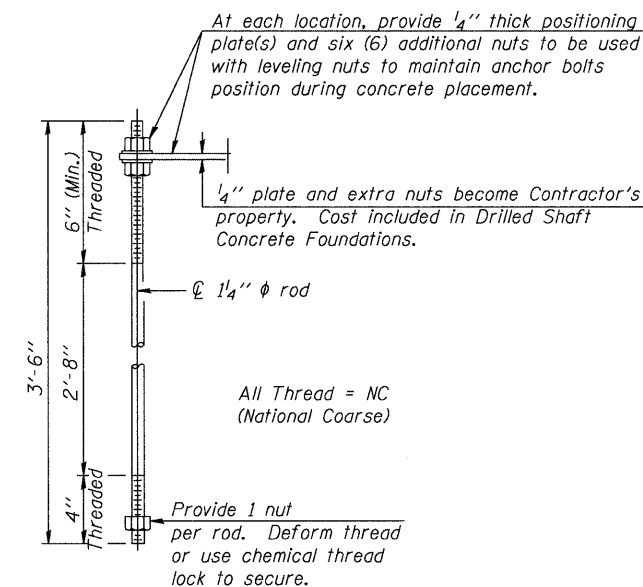
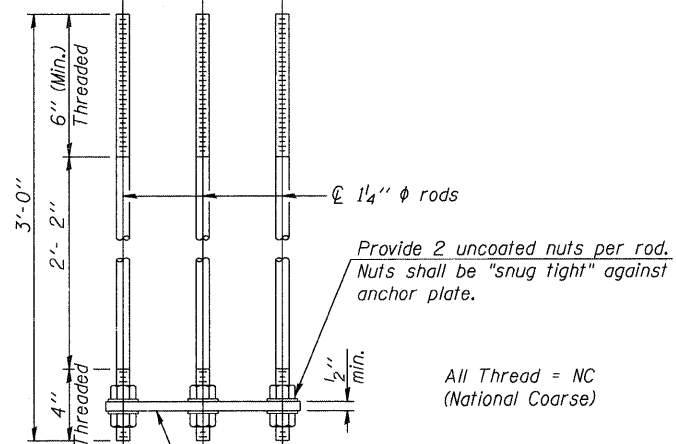
SADDLE SHIM DETAIL

ASTM B26 Alloy 356-F  
or  
ASTM B209 Alloy 6061-T651  
(4 required per sign truss)

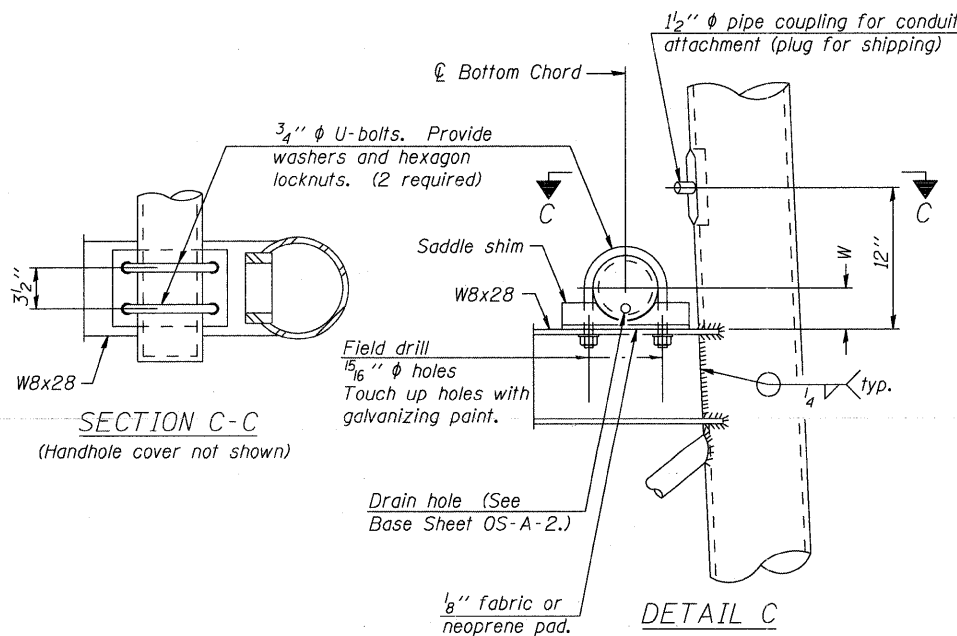
Truss Chord Nominal Dia.	a
5"	3/4"
5 1/2"	13/16"
6"	7/8"
6 1/2"	15/16"
7"	1"



ANCHOR ROD DETAIL  
Spread Footing Foundation



ANCHOR ROD DETAIL  
Drilled Shaft Foundation



SECTION C-C  
(Handhole cover not shown)

DETAIL C

10"  $\phi$  PIPE SUPPORT FRAME DETAILS

Anchor rods shall conform to ASTM F1554 Grade 105. Galvanize upper 12" minimum per AASHTO M232. No welding shall be permitted on rods.

OS-A-6A

1-20-11



USER NAME =	DESIGNED -	REVISED -
PLOT SCALE =	CHECKED - DW	REVISED -
PLOT DATE = 10/19/2011	DRAWN - JDH	REVISED -
	DATE - 10-21-2011	REVISED -

STATE OF ILLINOIS  
DEPARTMENT OF TRANSPORTATION

OVERHEAD SIGN STRUCTURES  
SUPPORT FRAME DETAILS - ALUMINUM TRUSS

SHEET NO. 6 OF 20 SHEETS

F.A. RTE.	SECTION	COUNTY	TOTAL SHEETS	SHEET NO.
90	(X2-1) R	WINNEBAGO	510	313
				CONTRACT NO. 64C29
ILLINOIS FED. AID PROJECT				