

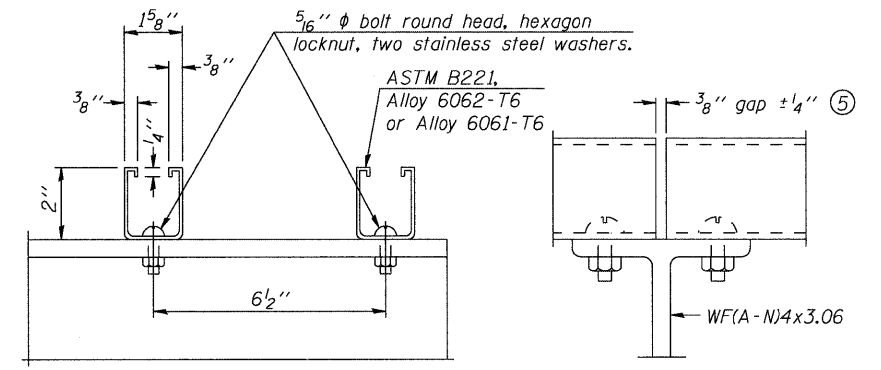
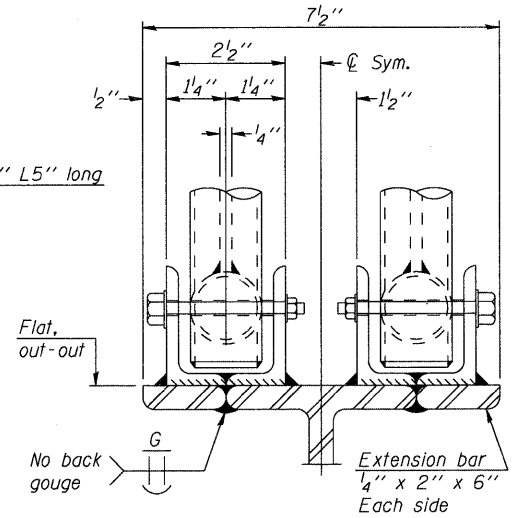
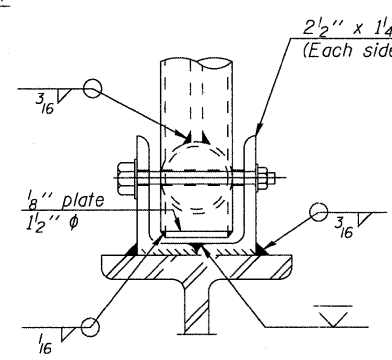
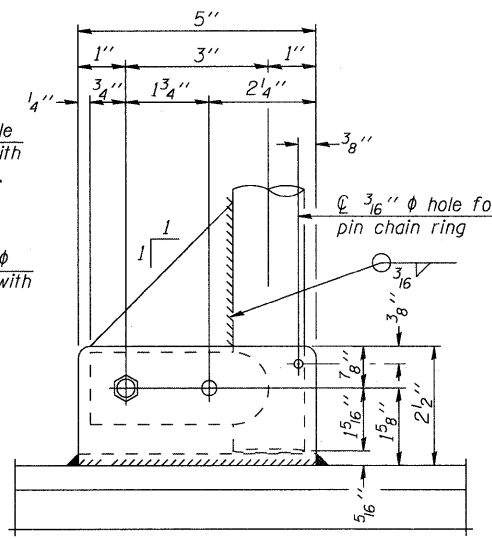
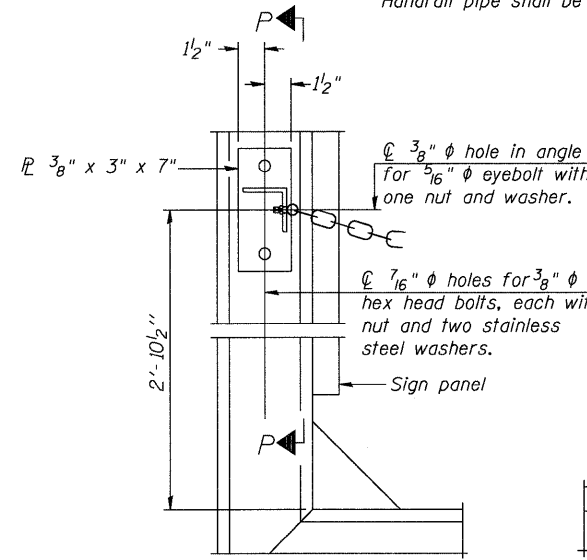
SIDE ELEVATION
(Showing safety chain w/o sign)

HANDRAIL DETAILS

FRONT ELEVATION

Handrail pipe shall be ASTM B241 or B429, Alloy 6063-T6 or Alloy 6061-T6.

- ① Install standard force-fit end caps or weld 1/8" end plates with 1/8" c.f.w. and grind smooth. (All rail ends)
- ② Horizontal handrail member shall be continuous thru fitting. Provide 7/16" hole in fitting for 3/8" bolt. Field drill 1/16" hole in horizontal rail member. Provide locknut and two stainless steel washers for bolt. (Use 5/16" eyebolts in 7/16" holes on top rail at ends only.)



SECTION F-F

SECTION G-G

LIGHTING FIXTURE MOUNTS (IF REQUIRED)

- ⑤ Field cut ends of light support channels shall be free of burrs or hazardous projections and coated with zinc-rich primer or equivalent.

ALTERNATE SAFETY CHAIN ATTACHMENT
(With Sign Present)

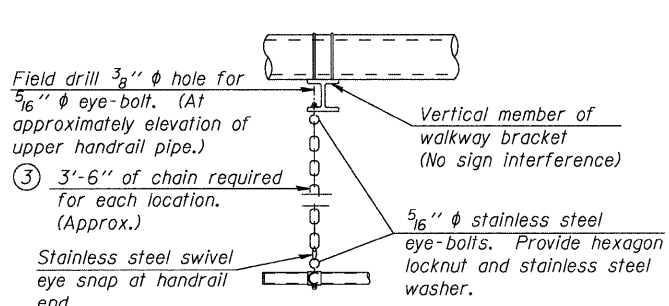
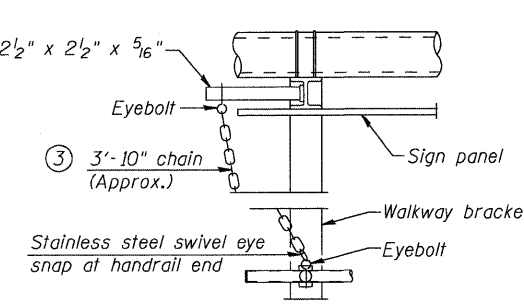
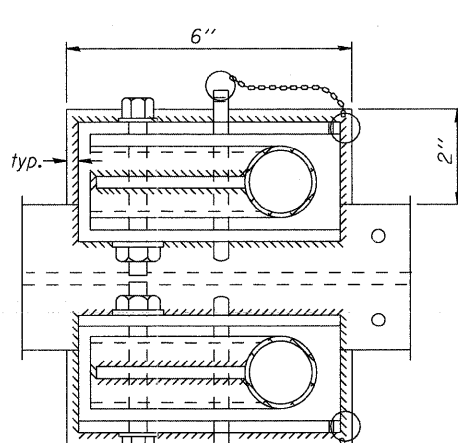
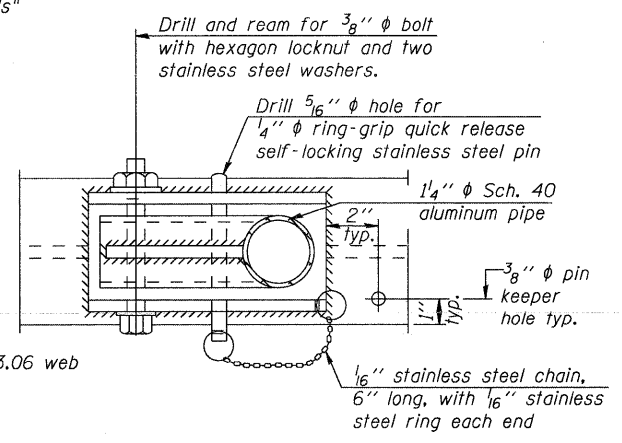
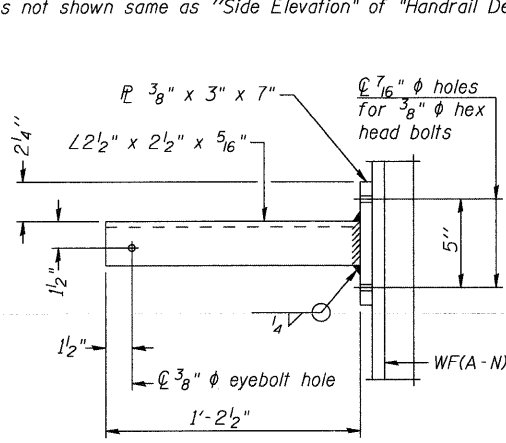
SIDE ELEVATION

FRONT ELEVATION

ELEVATION AT HANDRAIL JOINT

Items not shown same as "Side Elevation" of "Handrail Details"

See "Elevation" at right for dimensions.



ALTERNATE SAFETY CHAIN ATTACHMENT
Details not shown similar to "Safety Chain" Details
(Walkway omitted for clarity)

SAFETY CHAIN

One required for each end of each walkway.

- ③ 3/16" Type 304L stainless steel chain, approximately 12 links per foot.
- ④ Extrusions may be used in lieu of the details shown, with approval of the Engineer.

OS-A-11

1-20-11

	USER NAME =	DESIGNED -	REVISED -	STATE OF ILLINOIS DEPARTMENT OF TRANSPORTATION	OVERHEAD SIGN STRUCTURES ALUMINUM HANDRAIL DETAILS	F.A. RTE.	SECTION	COUNTY	TOTAL SHEETS	SHEET NO.
	PLOT SCALE =	CHECKED - DW	REVISED -			90	(X2-1) R	WINNEBAGO	510	322
PLOT DATE = 10/19/2011	DATE - 10-21-2011	DRAWN - JDH	REVISED -	SHEET NO. 15 OF 20 SHEETS		ILLINOIS FED. AID PROJECT				