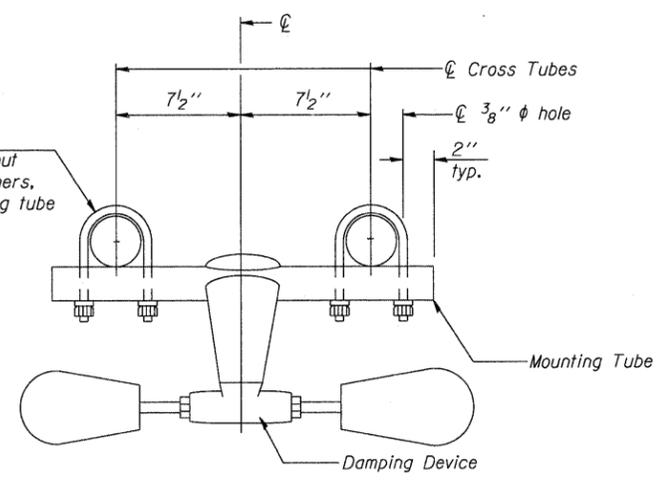
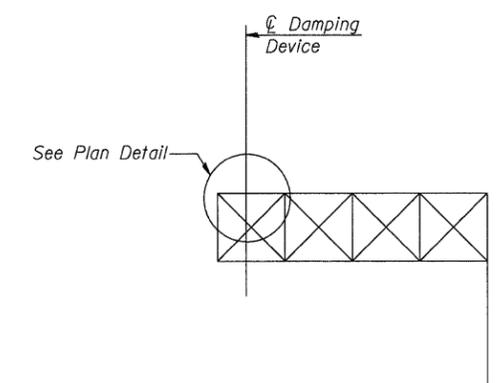


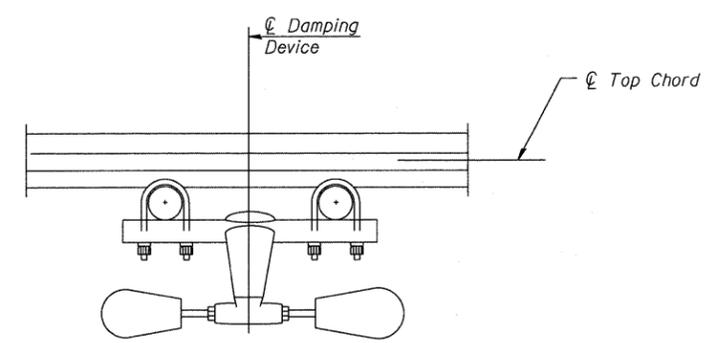
PLAN DETAIL



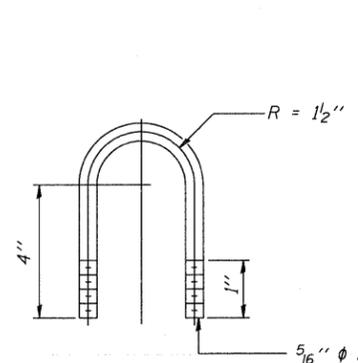
TRUSS DAMPING DEVICE CONNECTION DETAIL



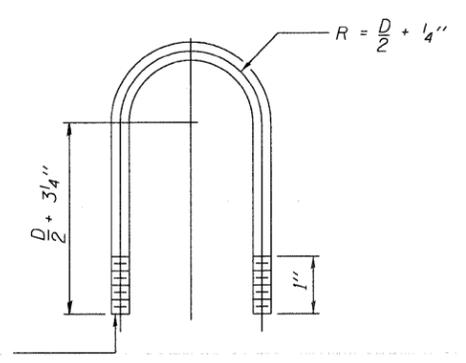
ELEVATION
Aluminum Cantilever Sign Structure



SECTION A-A



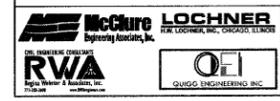
DAMPING DEVICE MOUNTING TUBE U-BOLT DETAIL
(Typical)



TOP CHORD TO CROSS TUBE U-BOLT DETAIL
(Typical)

GENERAL NOTES
 Damper: One damper per truss. (31 lbs. Stockbridge-Type Aluminum-29" minimum between ends of weights)
 Materials: Aluminum tubes shall be ASTM B221 alloy 6061 temper T6

OSC-A-D 1-20-11



USER NAME =	DESIGNED -	REVISED -
PLOT SCALE =	CHECKED - DW	REVISED -
PLOT DATE = 10/19/2011	DRAWN - JDH	REVISED -
	DATE - 10-21-2011	REVISED -

STATE OF ILLINOIS
DEPARTMENT OF TRANSPORTATION

CANTILEVER SIGN STRUCTURE
DAMPING DEVICE

SHEET NO. 3 OF 10 SHEETS

F.A. RTE.	SECTION	COUNTY	TOTAL SHEETS	SHEET NO.
90	(X2-1) R	WINNEBAGO	510	330
			CONTRACT NO. 64C29	
ILLINOIS FED. AID PROJECT				