

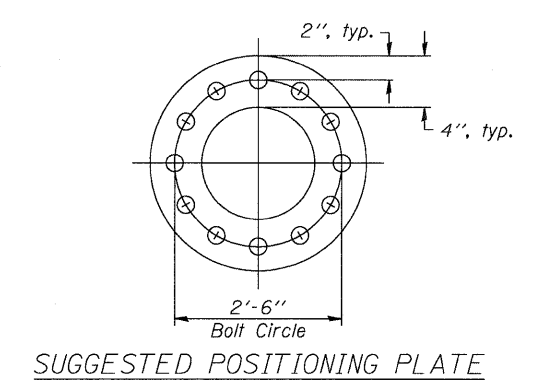
**DETAIL A**

\* Bent bars may be butt welded top and bottom or bottom only. In lieu of fabricated handhole frame as shown, may cut from 2" plate (rolling direction vertical). All cut faces to be ground to ANSI Roughness of 500 min or less.

\*\* Butt welded joint in post is only allowed for post heights (H) over 20 ft. in length. If used, weld procedure must be preapproved by Engineer and joint shall receive 100% RT or UT (tension criteria) at Contractor's expense.

Structure Number	Station	H
2C1011090R00.87	45+95 RT	21'-1"

Note: "H" based on 15'-0" or actual sign height, whichever is greater.



For UT, grind top of rod square and smooth before galvanizing.

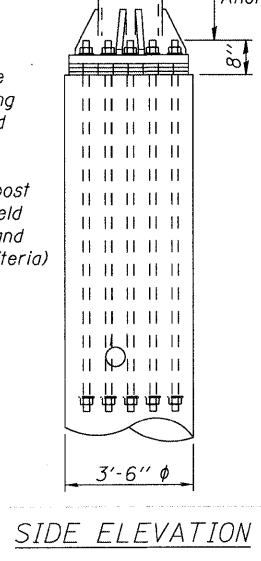
Utilize positioning plate and temporary nuts with leveling nuts or other Engineer approved methods to maintain anchor bolts' alignment during concrete placement. Plate, extra nuts and other positioning aids become Contractor's property. Cost included in Drilled Shaft Concrete Foundations.

Protect threads during concreting with tape, sleeves, or other means.

\*\*\* 18" is minimum to be galvanized. Entire rod may be galvanized at Contractor's option.

All Thread = NC (National Coarse)

Provide 1 nut per rod. Deform thread or use chemical thread lock to secure.

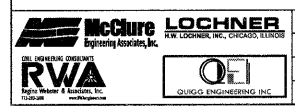


**ANCHOR ROD DETAIL**

Anchor rods shall conform to ASTM F1554 Grade 105. Galvanize the upper 18" (minimum\*\*\*) and associated AASHTO M291, Grade A, C or DH heavy hex nuts and hardened washers per AASHTO M232. No welding shall be permitted on rods. Provide a nut at bottom, a hexagon locknut and washer above base plate and a leveling nut and washer below base plate. Nuts shall each be tightened with 200 lb.-ft. minimum torque against base plate. Before or after threading, but before galvanizing, each anchor rod shall be ultrasonically tested (UT) by a Level II or III inspector, qualified in accord with ANSI guidelines, using a straight beam, 1/2" diameter 3.5 mhz. transducer, to insure no rejectable flaws exist in the upper 18" (tension criteria). Cost of testing included in Drilled Shaft Concrete Foundations.

OSC-A-5

1-20-11



USER NAME =	DESIGNED -	REVISD -
PLOT SCALE =	CHECKED - DW	REVISD -
PLOT DATE = 10/19/2011	DRAWN - JDH	REVISD -
	DATE - 10-21-2011	REVISD -

STATE OF ILLINOIS  
DEPARTMENT OF TRANSPORTATION

CANTILEVER SIGN STRUCTURES - TYPE II-C-A & III-C-A  
TRUSS SUPPORT POST - ALUMINUM TRUSS & STEEL POST

SHEET NO. 5 OF 10 SHEETS

F.A. RTE. 90	SECTION (X2-1) R	COUNTY WINNEBAGO	TOTAL SHEETS 510	SHEET NO. 332
				CONTRACT NO. 64C29
ILLINOIS FED. AID PROJECT				