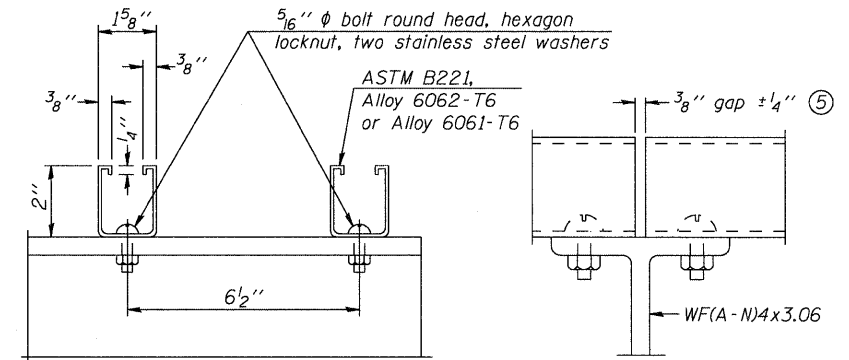
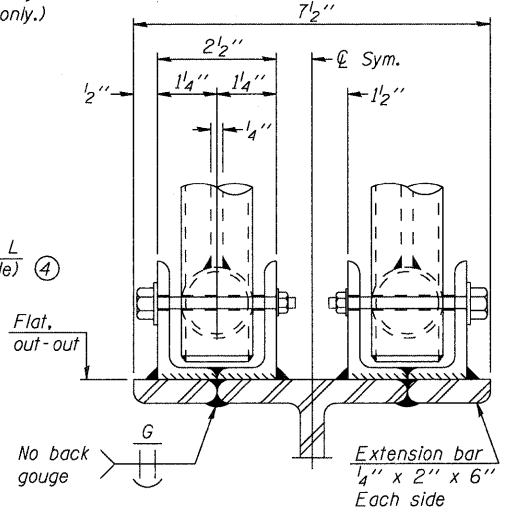
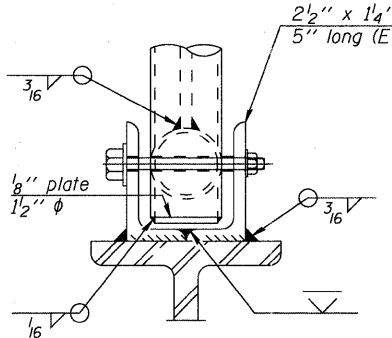
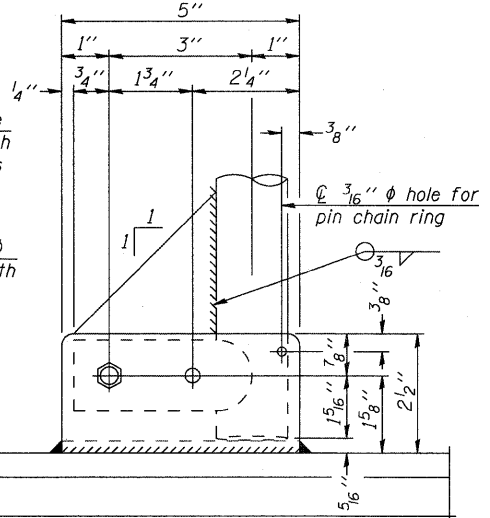
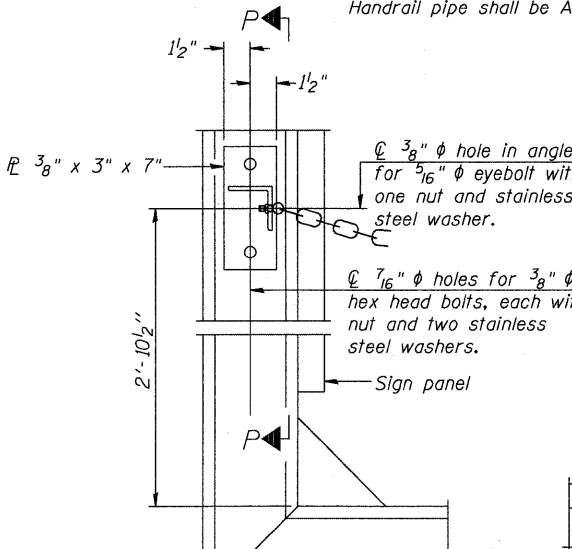


**HANDRAIL DETAILS**

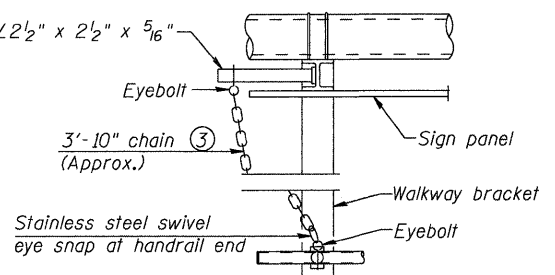
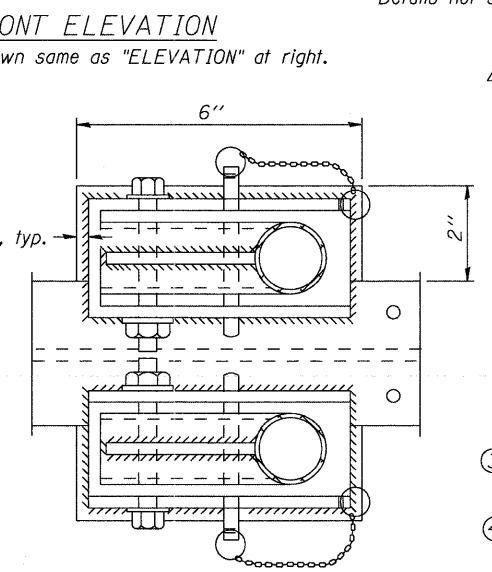
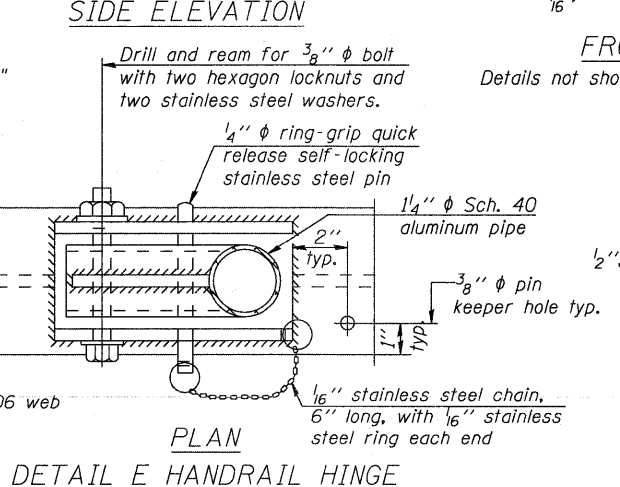
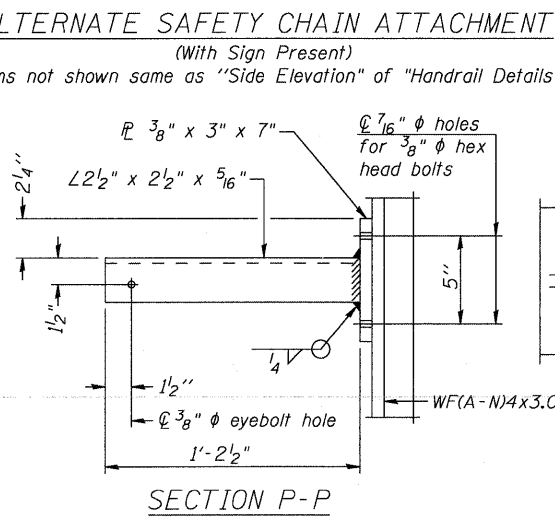
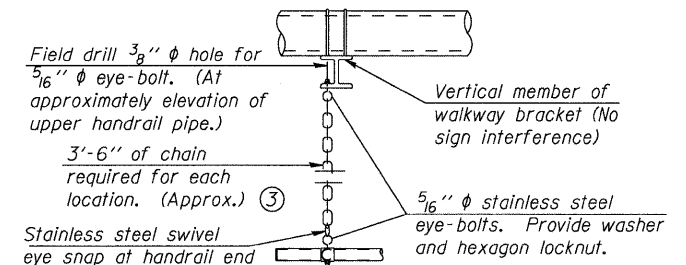
Handrail pipe shall be ASTM B241 or B429, Alloy 6063-T6 or Alloy 6061-T6.

② Horizontal handrail member shall be continuous thru fitting. Provide 7/16" hole in fitting for 3/8" bolt. Field drill 1/16" hole in horizontal rail member. Provide locknut and two stainless steel washers for bolt. (Use 5/16" eyebolts in 7/16" holes on top rail at ends only.)



**LIGHTING FIXTURE MOUNTS (IF REQUIRED)**

⑤ Field cut ends of light support channels shall be free of burrs or hazardous projections and coated with zinc-rich primer or equivalent.



③ 3/16" Type 304L stainless steel chain, approximately 12 links per foot.  
④ Extrusions may be used in lieu of the details shown, with approval of the Engineer.

OSC-A-8 1-20-11

	USER NAME =	DESIGNED -	REVISED -
	PLOT SCALE =	CHECKED - DW	REVISED -
	PLOT DATE = 10/19/2011	DRAWN - JDH	REVISED -
		DATE - 10-21-2011	REVISED -

STATE OF ILLINOIS  
DEPARTMENT OF TRANSPORTATION

CANTILEVER SIGN STRUCTURES - HANDRAIL DETAILS  
ALUMINUM TRUSS & STEEL POST

SHEET NO. 10 OF 10 SHEETS

F.A. RTE.	SECTION	COUNTY	TOTAL SHEETS	SHEET NO.
90	(X2-1) R	WINNEBAGO	510	337
CONTRACT NO. 64C29			ILLINOIS FED. AID PROJECT	