

INSIDE ELEVATION OF PARAPET

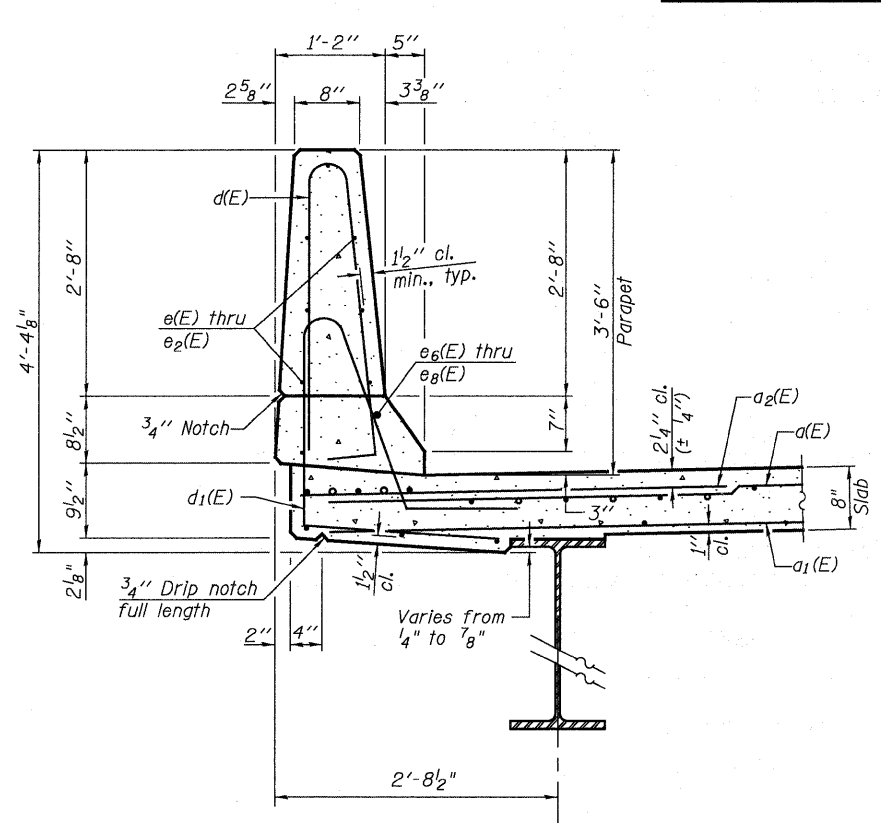
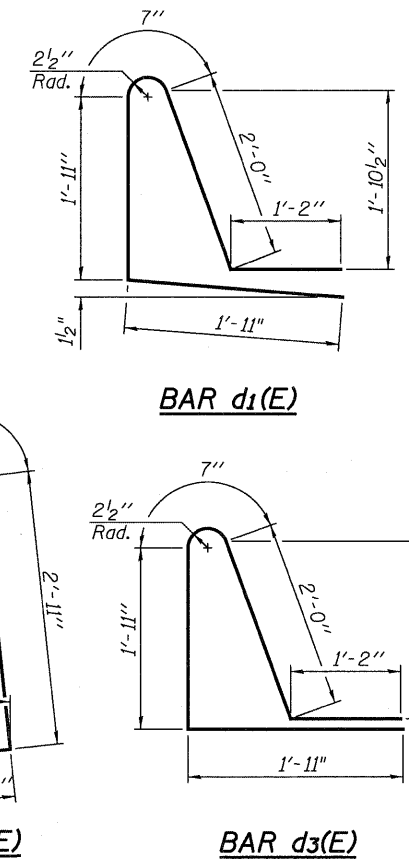
MINIMUM BAR LAP

(Parapet)
 #4 bar = 2'-1"
 #8 bar = 5'-5"

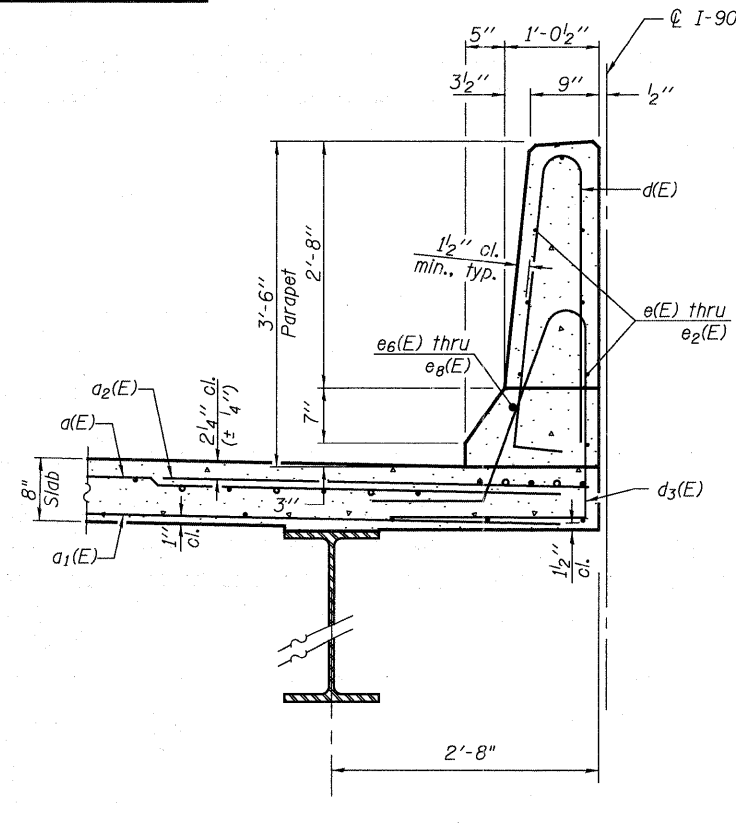
Bars indicated thus 1 x 2-#5 etc. indicates 1 line of bars with 2 lengths per line. See sheet 27 of 48 for s(E), s1(E) and v(E) bar details.

SUPERSTRUCTURE BILL OF MATERIAL

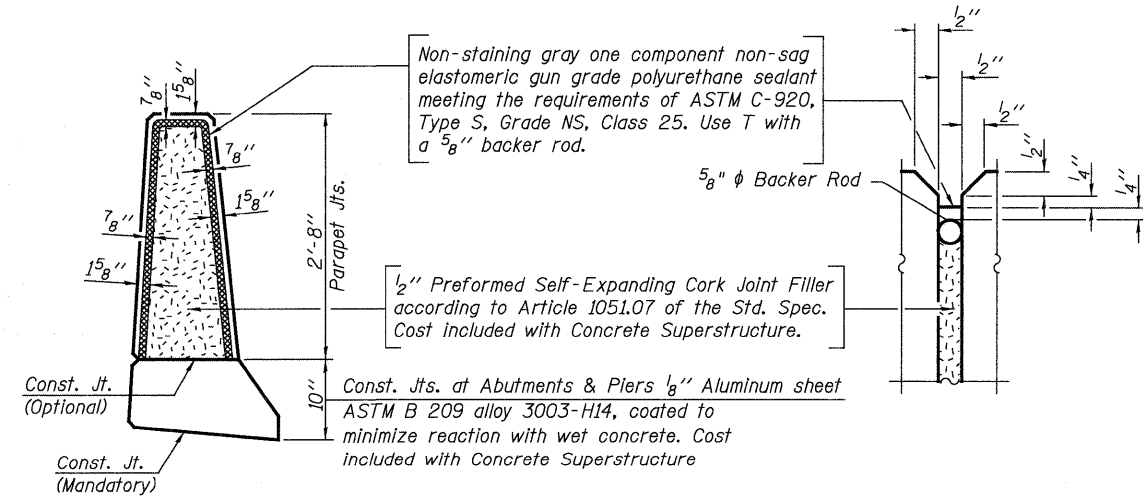
Bar	No.	Size	Length	Shape
a(E)	736	#5	32'-8"	—
a1(E)	434	#5	32'-4"	—
a2(E)	734	#6	6'-6"	—
a3(E)	8	#5	33'-8"	—
b(E)	330	#5	32'-8"	—
b1(E)	126	#6	25'-7"	—
b2(E)	310	#5	32'-8"	—
d(E)	336	#5	6'-10"	—
d1(E)	168	#5	7'-7"	—
d3(E)	168	#5	7'-7"	—
e(E)	56	#4	15'-5"	—
e1(E)	56	#4	9'-10"	—
e2(E)	42	#4	16'-1"	—
e3(E)	4	#4	31'-3"	—
e4(E)	8	#4	9'-10"	—
e5(E)	4	#4	25'-6"	—
e6(E)	4	#8	31'-3"	—
e7(E)	8	#8	9'-10"	—
e8(E)	4	#8	27'-2"	—
m(E)	30	#6	23'-10"	—
m1(E)	32	#6	11'-0"	—
m2(E)	14	#6	8'-0"	—
m3(E)	4	#6	2'-4"	—
s(E)	124	#5	6'-10"	—
s1(E)	124	#4	9'-10"	—
v(E)	126	#5	3'-9"	—
Reinforcement Bars, Epoxy Coated	Pound	85,270		
Concrete Superstructure	Cu. Yds.	327.3		



SECTION THRU OUTSIDE PARAPET
Looking South



SECTION THRU MEDIAN PARAPET
Looking South



PARAPET JOINT DETAILS

(Outside Parapet Shown
 Inside Parapet Similar)