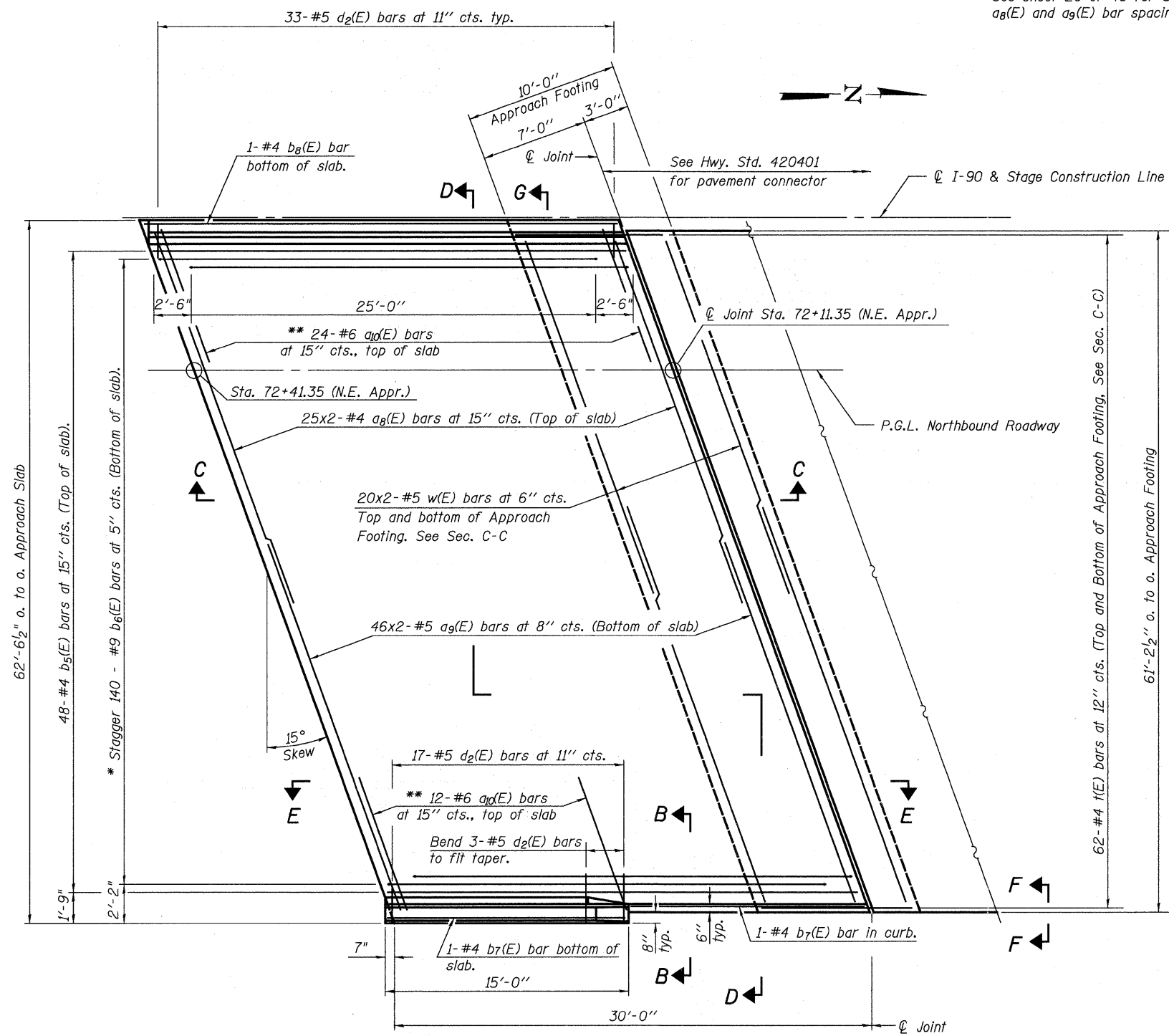
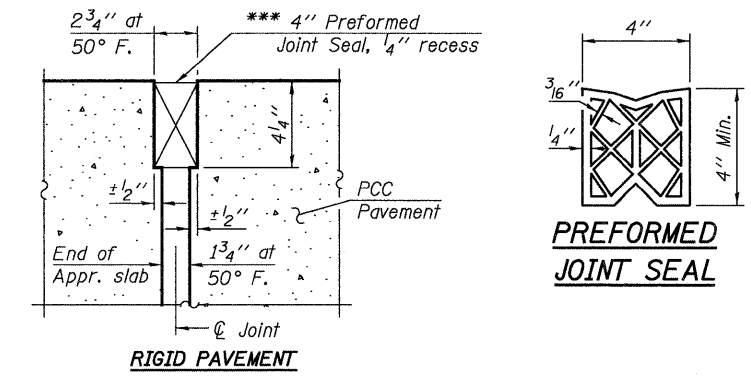


Notes:
See sheet 20 of 48 for Sections C-C, D-D and G-G.
a₈(E) and a₉(E) bar spacings measured along ϕ Rdwy.



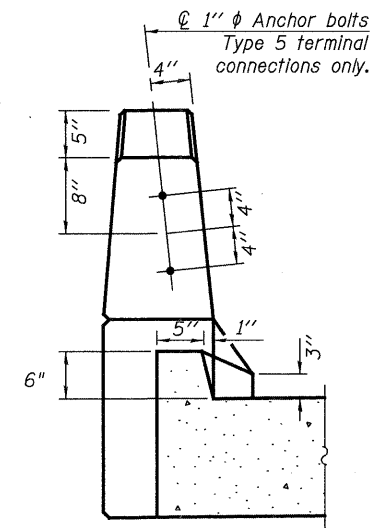
PLAN

* Tilt #9 b₈(E) bars as required to maintain clearance.
** Space between a₈(E) bars, typ. each parapet.

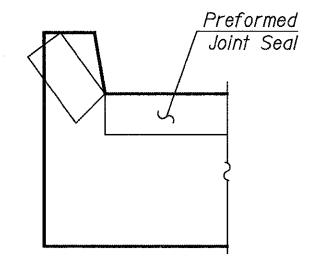


DETAIL A

*** Cost included with Concrete Superstructure.

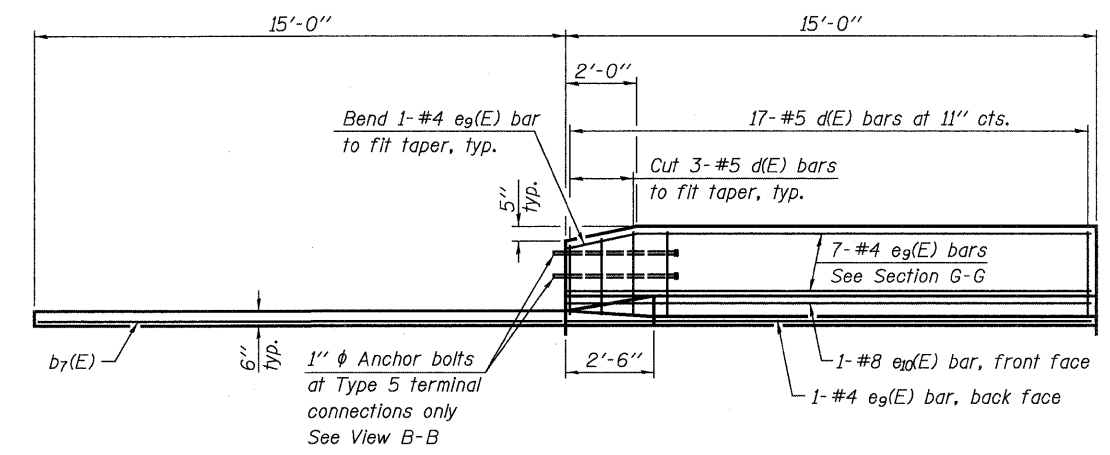


VIEW B-B



VIEW F-F

Angle Preformed Joint Seal at 45° at curbs when req'd for drainage.



VIEW E-E

(Sheet 1 of 2)



USER NAME =	DESIGNED - JTT	REVISD -
PLDT SCALE =	CHECKED - VAC	REVISD -
PLDT DATE =	DRAWN - JBB	REVISD -
	CHECKED - JTT	REVISD -

**STATE OF ILLINOIS
DEPARTMENT OF TRANSPORTATION**

**BRIDGE APPROACH SLAB DETAILS N.E.
STRUCTURE NO. 101-0194**

BRIDGE SHEET NO. 19 OF 48 SHEETS

F.A.I. RTE.	SECTION	COUNTY	TOTAL SHEETS	SHEET NO.
90	(X2-1)R	WINNEBAGO	510	364
			CONTRACT NO. 64C29	
ILLINOIS FED. AID PROJECT				