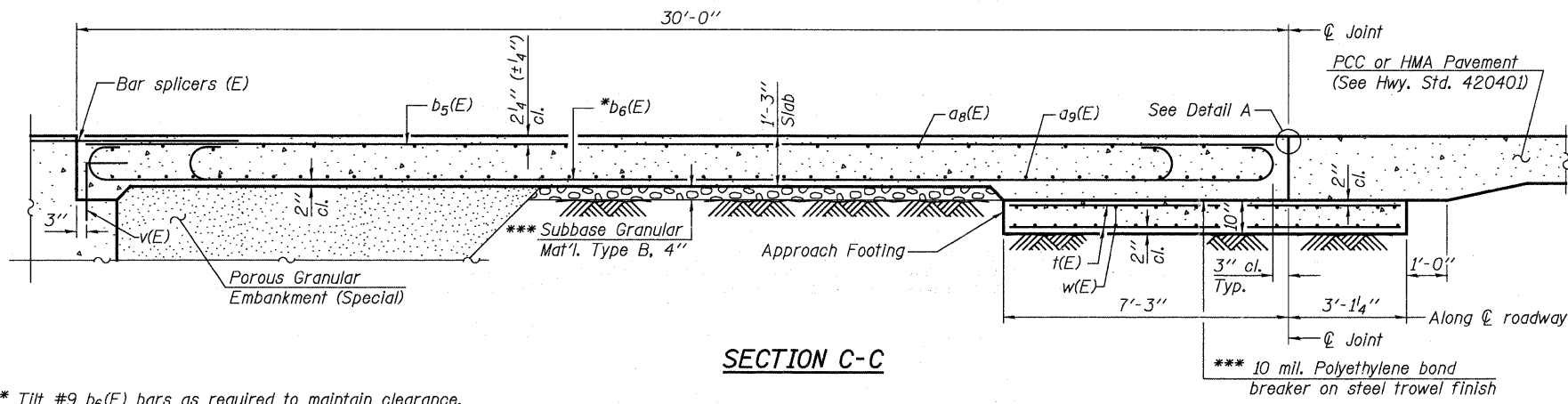
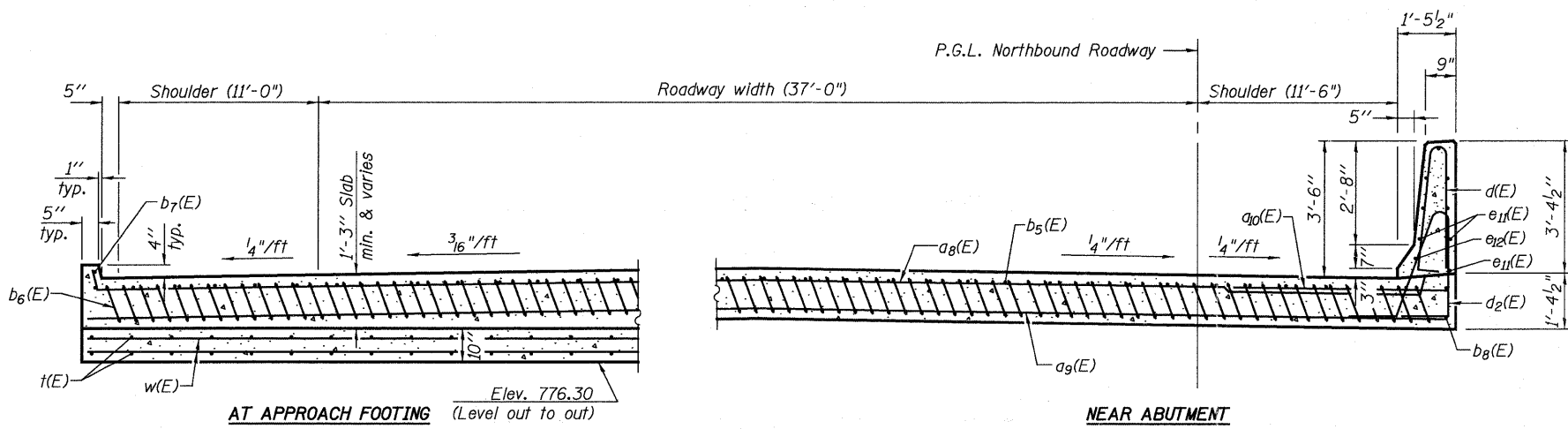
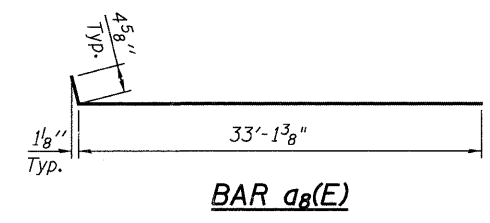
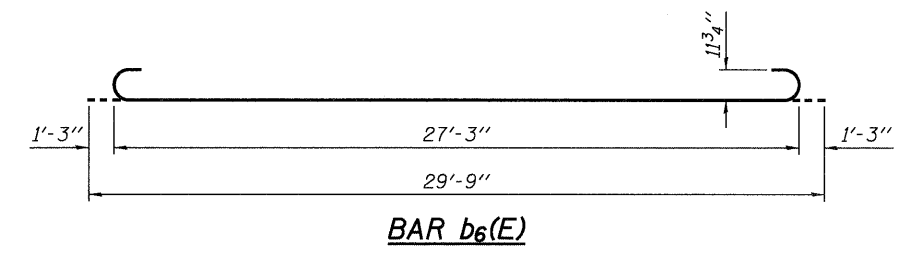
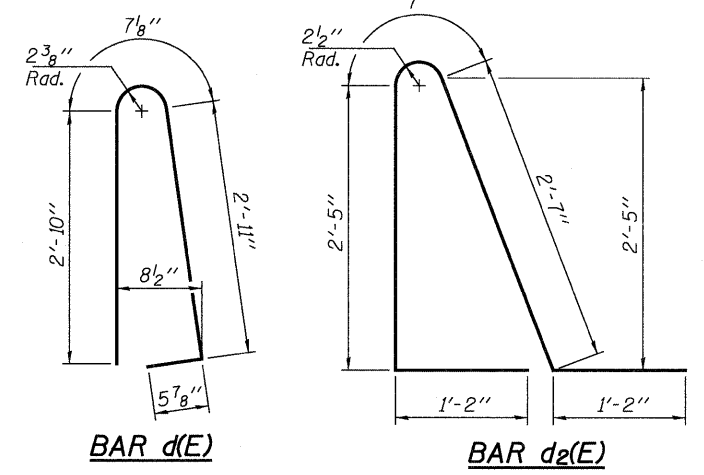
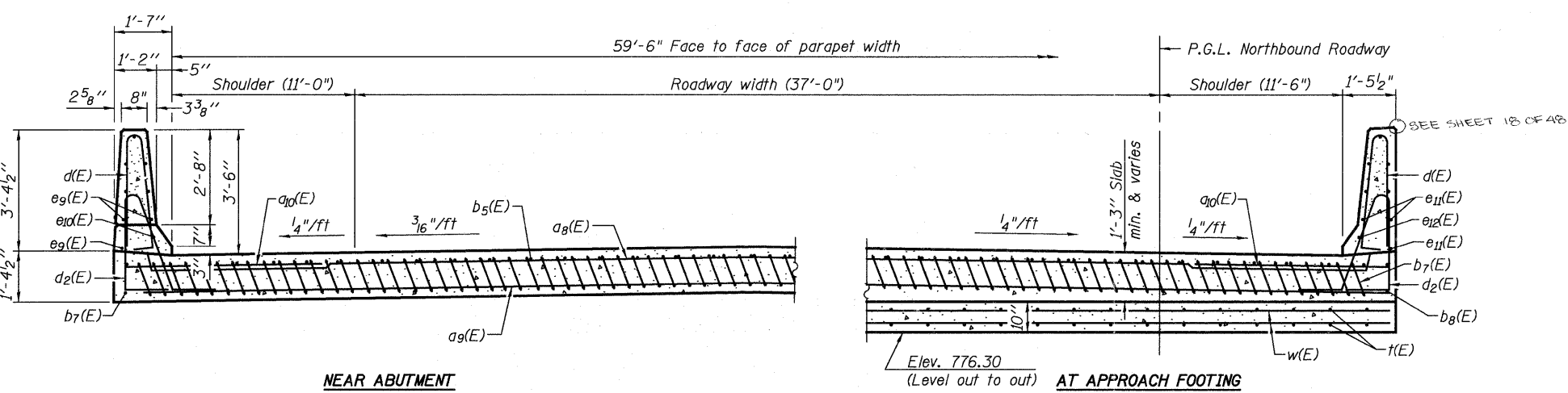


Notes:  
 See sheet 21 of 48 for Detail A and View B-B.  
 Approach slab and parapet concrete shall be paid for as Concrete Superstructure.  
 Approach footing concrete shall be paid for as Concrete Structures.  
 Reinforcement shall be paid for as Reinforcement Bars, Epoxy Coated.  
 For v(E) bar details, see sheet 27 of 48.  
 The approach footing maximum applied service bearing pressure (Qmax) = 2.0 ksf.  
 For bar splicer details, see sheet 42 of 48.  
 Cost of excavation for approach footing included with Concrete Structures.  
 For Porous Granular Embankment (Special) and drainage treatment details, see sheet 2 of 48.  
 For additional parapet details, see sheet 15 of 48.



\* Tilt #9 b6(E) bars as required to maintain clearance.  
 \*\*\* Cost included with Concrete Superstructure.



LAP LENGTH  
 #4 bars = 2'-1"  
 #5 bars = 2'-7"

**BILL OF MATERIAL**

Bar	No.	Size	Length	Shape
a8(E)	50	#4	33'-6"	┌───┐
a9(E)	92	#5	33'-3"	┌───┐
a10(E)	36	#6	6'-6"	┌───┐
b5(E)	48	#4	29'-8"	┌───┐
b6(E)	140	#9	29'-9"	┌───┐
b7(E)	2	#4	14'-8"	┌───┐
b8(E)	1	#4	29'-8"	┌───┐
d(E)	50	#5	6'-10"	┌───┐
d2(E)	50	#5	7'-11"	┌───┐
e9(E)	8	#4	14'-8"	┌───┐
e10(E)	1	#8	14'-8"	┌───┐
e11(E)	8	#4	29'-8"	┌───┐
e12(E)	1	#8	29'-8"	┌───┐
t(E)	124	#4	10'-0"	┌───┐
w(E)	80	#5	32'-10"	┌───┐
Concrete Superstructure			Cu. Yd.	98.6
Concrete Structures			Cu. Yd.	18.9
Reinforcement Bars, Epoxy Coated			Pound	24,505

(Sheet 2 of 2)



USER NAME =	DESIGNED - JTT	REVISIONS -
PLOT SCALE =	CHECKED - VAC	REVISIONS -
PLOT DATE =	DRAWN - JBB	REVISIONS -
	CHECKED - JTT	REVISIONS -

STATE OF ILLINOIS  
 DEPARTMENT OF TRANSPORTATION

BRIDGE APPROACH SLAB DETAILS S.E.  
 STRUCTURE NO. 101-0194  
 BRIDGE SHEET NO. 22 OF 48 SHEETS

F.A.I. RTE.	SECTION	COUNTY	TOTAL SHEETS	SHEET NO.
90	(X2-1)R	WINNEBAGO	510	367
				CONTRACT NO. 64C29
ILLINOIS FED. AID PROJECT				