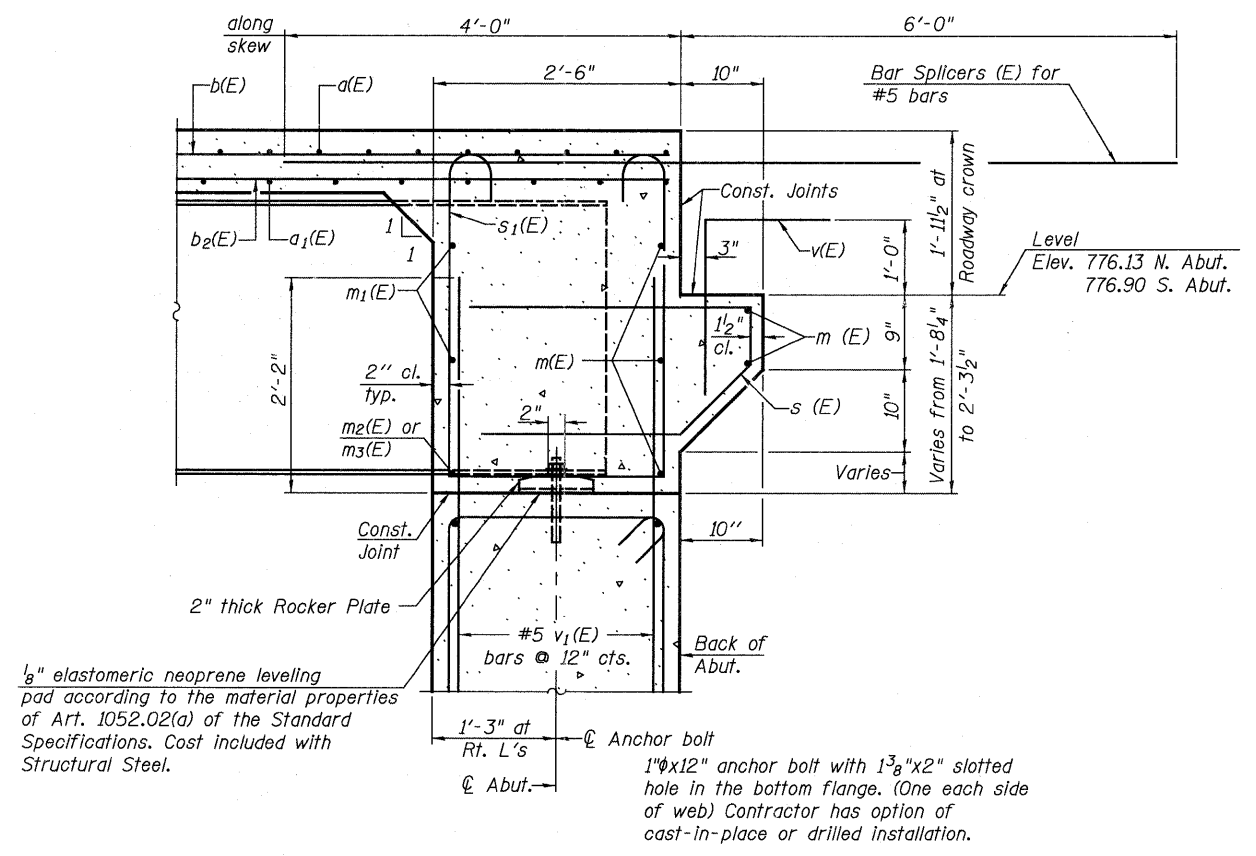


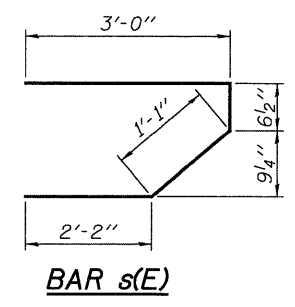
**DIAPHRAGM ELEVATION AT ABUTMENT**  
(Looking North at the North Abutment)

**Notes:**  
Reinforcement bars in diaphragm are billed with superstructure on sheet 15 of 48.  
Concrete in diaphragm is included with Concrete Superstructure on sheet 15 of 48.  
The s(E) and s<sub>1</sub>(E) bars shall be placed parallel to the beams. Spacing for these bars shall be at right angles to the beams.

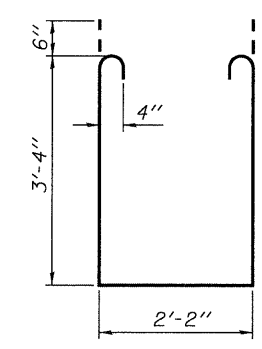
**MIN. BAR LAP**  
#6 bar = 3'-4"



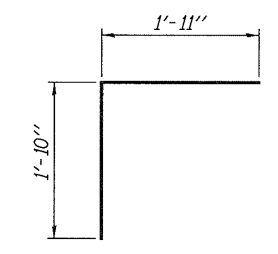
**SECTION A-A**  
Dimensions at right angles to abutment, except as shown.



**BAR s(E)**



**BAR s<sub>1</sub>(E)**



**BAR v(E)**