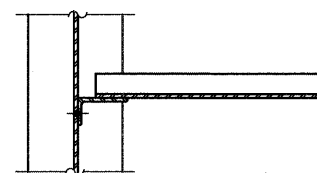
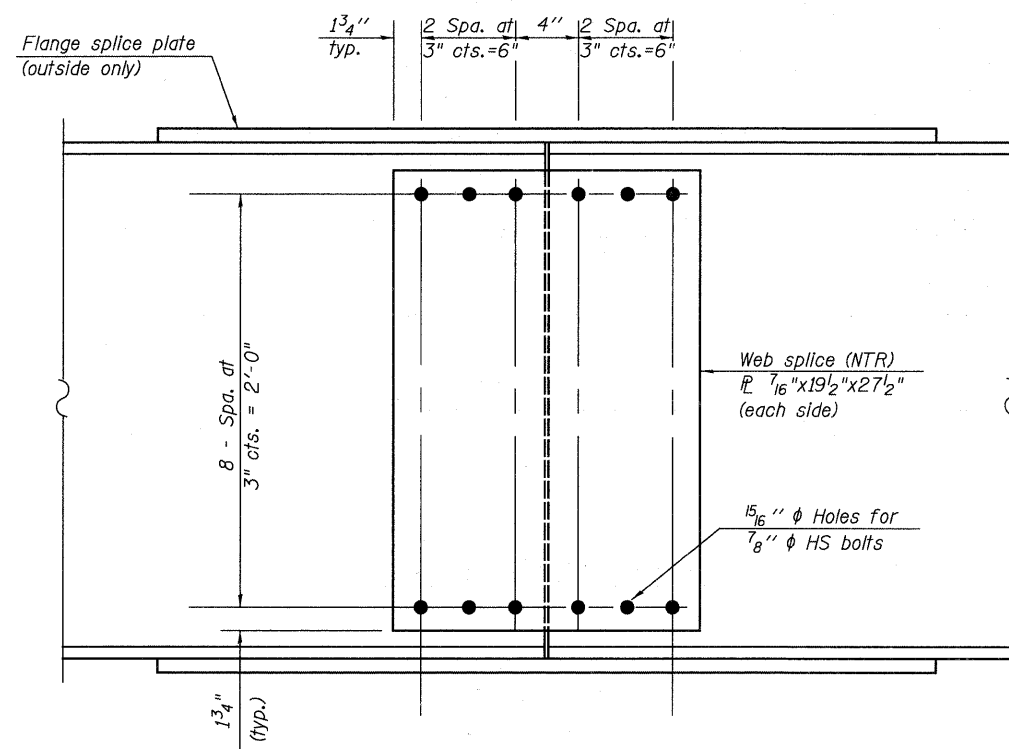


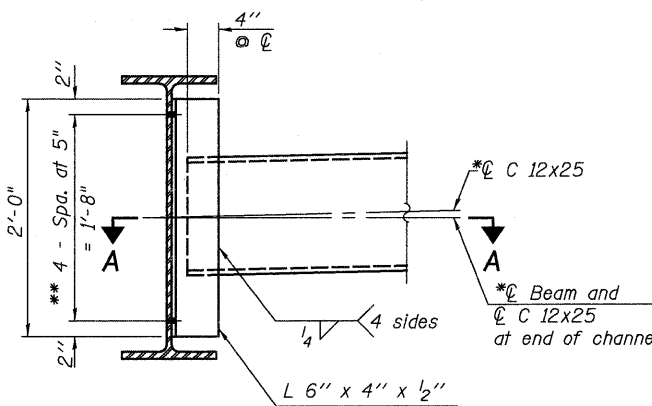
**FLANGE SPLICE PLATE**



**SECTION A-A**



**WEB SPLICE PLATE**  
(34 Required)



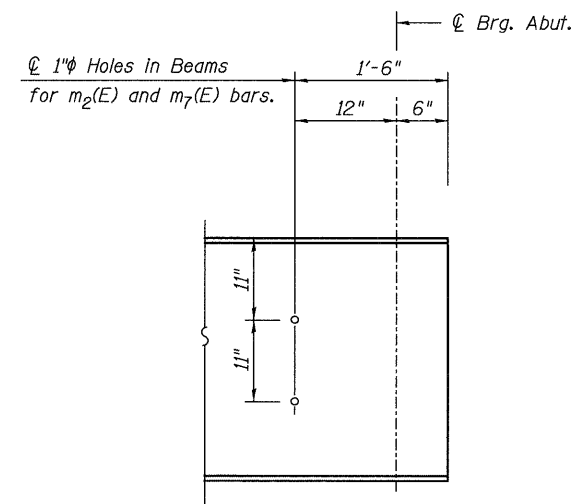
**INTERIOR DIAPHRAGM**

**Notes:**  
 Two hardened washers required for each set of oversized holes.  
 \*Alternate channels (C 12x30) are permitted to facilitate material acquisition. Calculated weight of structural steel is based on the lighter section. The alternate, if utilized, shall be provided at no additional cost to the Department.  
 \*\*3/4"  $\phi$  HS bolts, 15/16"  $\phi$  holes

**NOTES**

All diaphragms shall be installed as steel is erected and secured with erection pins and bolts except as otherwise noted. Individual diaphragms at supports may be temporarily disconnected to install bearing anchor rods.

Load carrying components designated "NTR" shall conform to the Supplemental Requirements for Notch Toughness, Zone 2.



**TYP. END OF BEAM ELEVATION**