

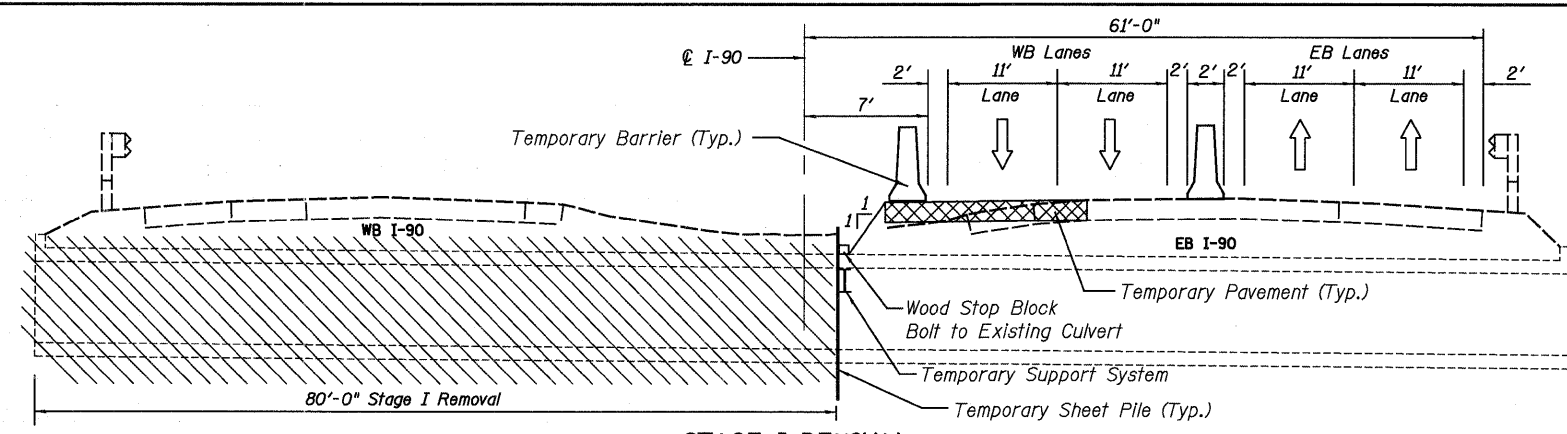
**STAGING DETAIL**

**STAGE I**

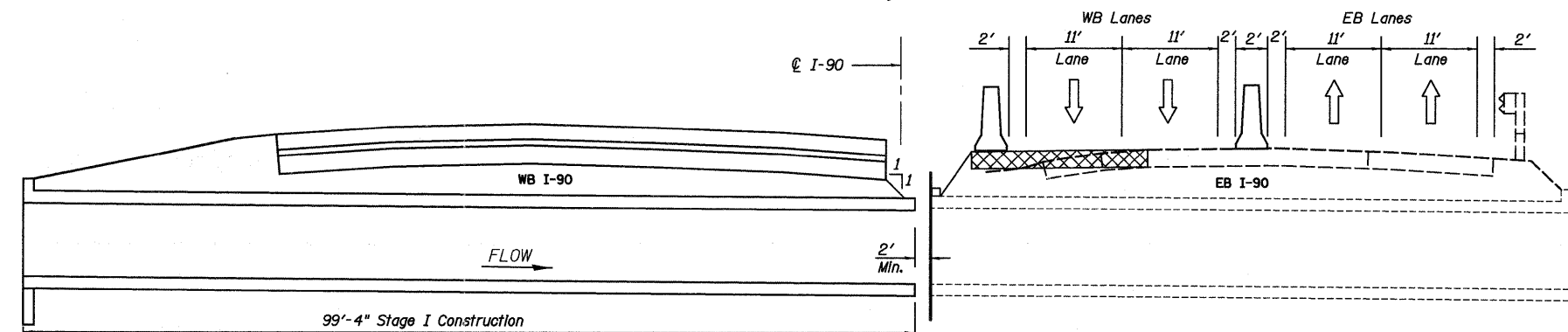
1. Construct temporary pavement.
2. Shift traffic to Eastbound I-90 using crossover.
3. Remove east half of existing box culvert.
4. Construct east half of proposed box culvert.
5. Construct proposed Westbound roadway.

**STAGE II**

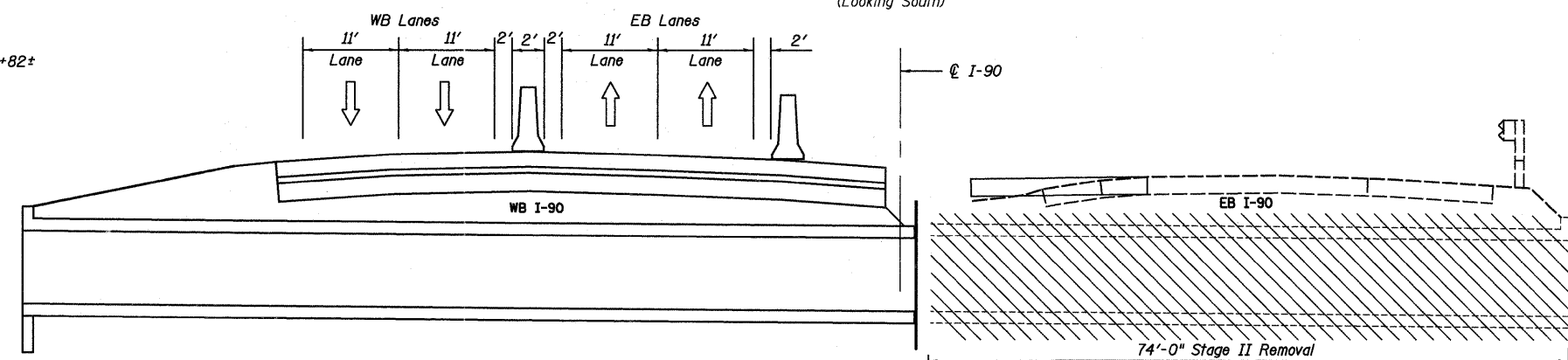
1. Shift traffic to Westbound I-90 using crossover.
2. Remove west half of existing box culvert.
3. Construct west half of proposed box culvert.
4. Construct proposed Eastbound roadway.
5. Construct permanent median barrier.



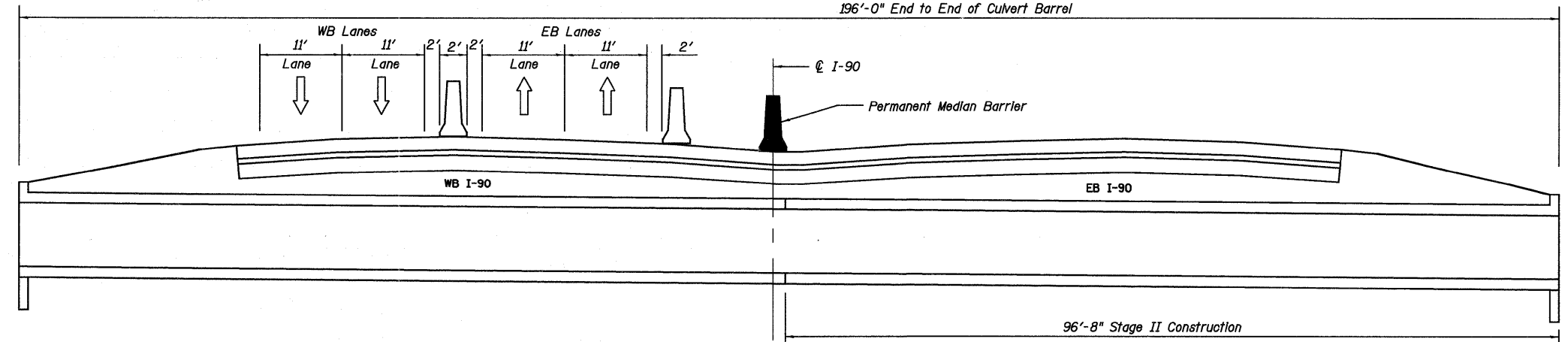
**STAGE I REMOVAL**  
(Looking South)



**STAGE I CONSTRUCTION**  
(Looking South)



**STAGE II REMOVAL**  
(Looking South)



**STAGE II CONSTRUCTION**  
(Looking South)

**LEGEND**

	Temporary Pavement
	Removal Area

**McClure**  
Engineering Associates, Inc.  
7382 Argus Drive  
(815) 398-2332  
Copyright 2011 By McClure Engineering Associates, Inc.

USER NAME =	DESIGNED - JTT	REVISED -
PLLOT SCALE =	CHECKED - VAC	REVISED -
PLLOT DATE =	DRAWN - JBB	REVISED -
	CHECKED - JTT	REVISED -

**STATE OF ILLINOIS**  
**DEPARTMENT OF TRANSPORTATION**

**MAINTENANCE OF TRAFFIC**  
**STRUCTURE NO. 101-1095**

BOX CULVERT SHEET NO. 3 OF 7 SHEETS

F.A.I. RTE.	SECTION	COUNTY	TOTAL SHEETS	SHEET NO.
90	(X2-1)R	WINNEBAGO	510	396
CONTRACT NO. 64C29			ILLINOIS FED. AID PROJECT	